

Assembly & Installation Instructions

A598

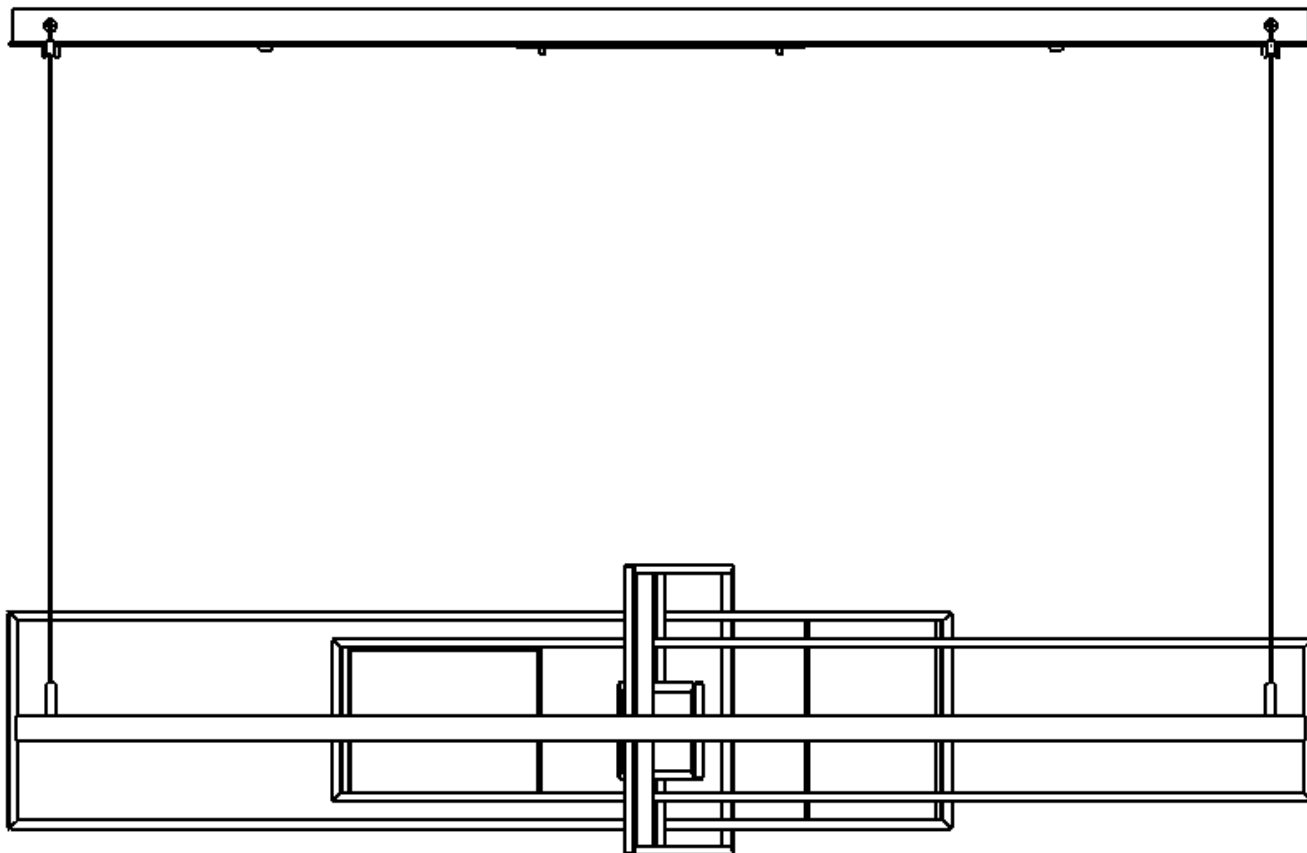
Summer Pendant 139754D

Page 1 of 4

CAUTION: FAILURE TO INSTALL THIS FIXTURE PROPERLY MAY RESULT IN SERIOUS PERSONAL INJURY OR DEATH AND PROPERTY DAMAGE. We recommend installation by a licensed electrician.

This product must be installed in accordance with applicable installation code(s), by a person familiar with the construction and operation of the product and the hazards involved.*

Caution: Do not exceed maximum wattage noted on fixture. Use only recommended bulbs with fixture.



Assembly & Installation Instructions

Summer Pendant 139754D

A598

Page 2 of 4

Attach Ceiling Brackets (Figures 1 & 2)

Component Parts

A	Mounting bracket	E	#10 Wood Screws (8)	I	Cover Plate
B	Canopy	F	Short #8 Screws (2)	J	Long #8 Screws (2)
C	Ground Screw	G	Supply Cable	K	Barrel Knobs w/Studs (4)
D	Cupped Washer	H	Standoffs (2)	L	Bushings (4)

Caution: Be sure power is off at the main breaker box prior to installation.

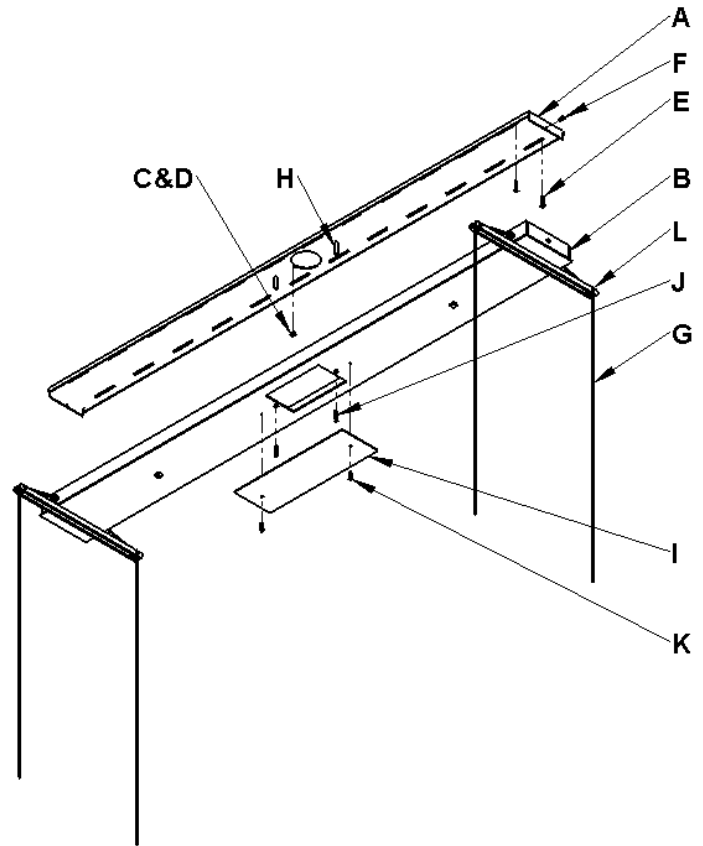
1. Locate mounting brackets (A).
2. Using wood screws (E), attach mounting bracket (A) to a structural member in the ceiling, centering the bracket over the outlet box. It may be necessary to pre-drill $\frac{1}{4}$ " holes where screws (E) are being installed. Wood screws are supplied with your fixture; however, different materials and/or construction methods may require different fasteners. If in doubt, contact a qualified electrician. Do not attach bracket directly to outlet box.

Note: There are half-round features build into the mounting brackets to help with alignment when installing both brackets to the ceiling.

3. Raise canopy (B) to ceiling bringing wires down through access hole in center of canopy. Attach canopy (B) to mounting bracket (A) using #8 screws (F & J).
4. Attach a pigtail lead to mounting bracket (A) using cupped washer and ground screw (C & D) that ship installed on mounting bracket. Run pigtail lead from bracket to the outlet box. Connect all ground wires (bare copper or green to bare copper or green).
5. Using suitable wire connectors (not provided) connect driver wires to supply wires (white to white and black to black).

Caution: Make sure wire connectors are twisted on securely, and no bare wire is exposed.

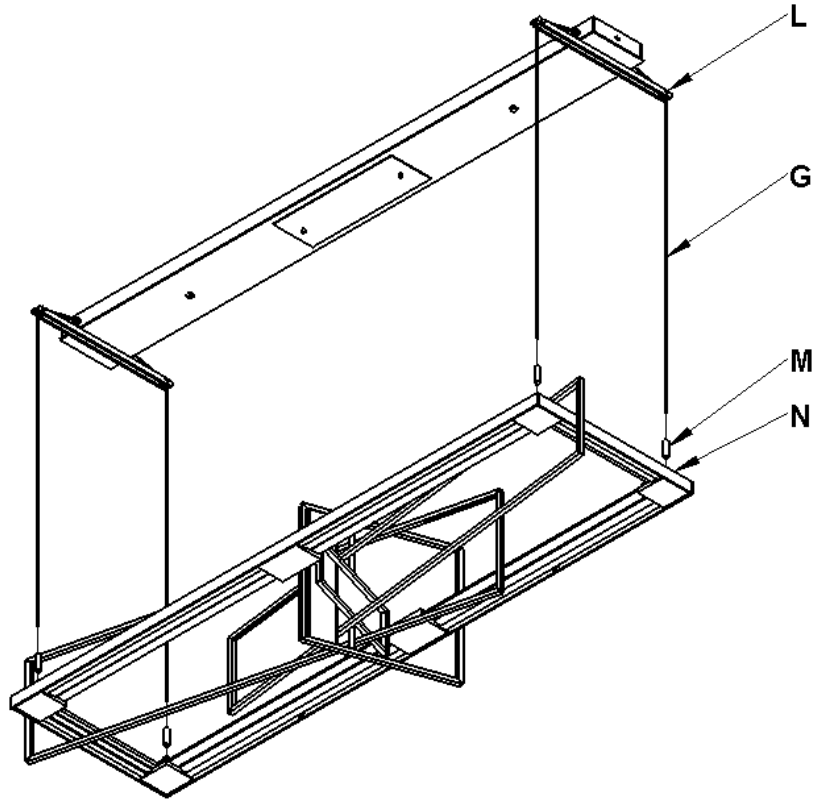
6. Tuck wires up into access hole of canopy (B). Raise cover plate (I) up to canopy (B) and attach using knobs with studs (K).



To Install LED Assembly (Figure 3)

Component Parts

- G Supply Cable (4)
- L Bushing
- M Gripper Cover (4)
- N Gripper (4)



1. Ensure the bushings (L) with supply cable (G) are sitting in notches of canopy (B).
2. Insert supply cable (G) through gripper cover (M) and into gripper (N) until cable (G) sticks through the slot in the side of the gripper (N).

Note: Gripper covers (M) are shipped in kit bag.

3. Repeat with remaining cables (I).
4. Continue pulling cables (G) through grippers (N) until correct height is achieved. Be sure to keep LED assembly level.

Note: If fixture needs to be lowered, push down on top of gripper (N) to release cable.

5. Once desired height of the LED assembly is achieved, cut off the excess cable (G) as close to the gripper (N) as possible.

Caution: Once excess cable is cut, fixture cannot be lowered.

6. Screw gripper covers (M) onto grippers (N).
7. Follow instructions on following page to install decorative element.

Assembly & Installation Instructions

Summer Pendant 139754D

A598

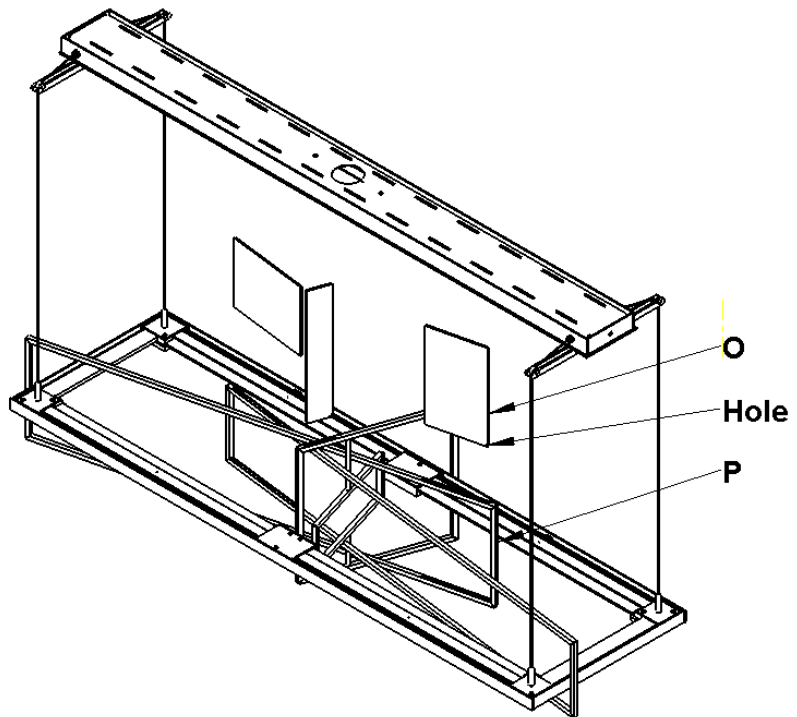
Page 4 of 4

To Complete Installation

Component Parts

- O Decorative Element
- P Tube Assembly

1. Each decorative element (O) has a small hole in one corner. Slip decorative element (O), hole side first, through tube assembly (P) until it settles into the bottom of the tube (P).
2. Repeat with remaining decorative elements (O).
3. Restore electricity at main breaker.



If you need further assistance, or find that you are missing any parts, please contact the dealer from which you purchased this product. We hope you enjoy your fixture!

* Hubbardton Forge will not be liable for injury or damage caused by improper installation, lamping or use of this fixture.