

Assembly & Installation Instructions

B343

Mediki Torch Sconce 204750

Page 1 of 4

CAUTION: FAILURE TO INSTALL THIS FIXTURE PROPERLY MAY RESULT IN SERIOUS PERSONAL INJURY OR DEATH AND PROPERTY DAMAGE. We recommend installation by a licensed electrician.

This product must be installed in accordance with applicable installation code(s), by a person familiar with the construction and operation of the product and the hazards involved.*

Caution: Do not exceed maximum wattage noted on fixture. Use only recommended bulbs with fixture.

Please Note: This fixture is designed to be mounted on a standard wall surface and may not be suitable for all applications. If installing in a non-wood frame application, we recommend consulting a qualified builder or electrician.

Please Note: After installation, extra hardware and accessories may be left due to kits being used on multiple products.

To Mount Fixture to Single Box (Figure 1)

Note: If mounting to a 4" box, proceed to page 2, Figure 2)

Component Parts

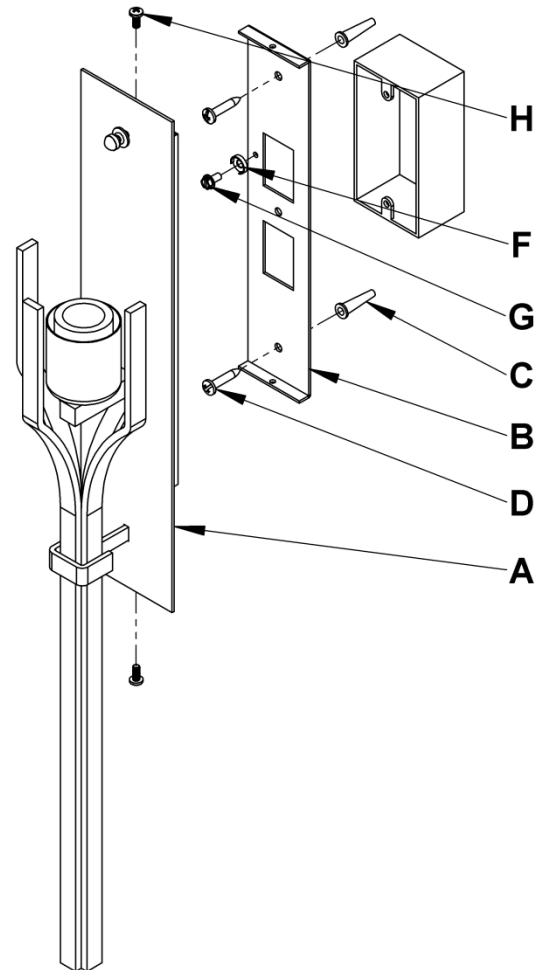
- | | | | |
|---|------------------|---|---------------------|
| A | Fixture | F | Cupped Washer |
| B | Mounting Bracket | G | Ground Screw |
| C | Anchors (2) | H | #8 Black Screws (2) |
| D | #10 Screws (2) | | |

Caution: Be sure power is off at the main breaker box prior to installation.

1. Carefully unpack the fixture from the carton.
2. With a pencil, mark the location of all mounting holes in the wall mount bracket (B) on the wall behind.
3. Drill 1/4" holes in the locations marked on the wall. For holes using anchors, place the tapered end of the anchors (C) into the holes and gently tap them flush to the wall using a light weight hammer.
4. Thread the wires in the electrical box through the hole in the wall mounting bracket (B) while moving the bracket into position. Using the 1" #10 screws (D), screw the bracket securely to the wall. Be careful not to over-tighten or strip the anchors.
5. Hold the fixture (A) close to the mounting bracket (B) and using suitable wire connectors (not provided) connect fixture wires to supply wires (white to white and black to black). Attach ground screw (G) and cupped washer (F) to mounting bracket (B). Run a pigtail lead from the ground screw (G) and cupped washer (F) toward the electrical box and connect all ground wires (bare copper or green to bare copper or green).

Caution: Make sure wire connectors are twisted on securely, and no bare wires are exposed.

6. Carefully tuck all wires behind the fixture (A) and inside the mounting bracket (B). Place the fixture (A) firmly onto bracket (B) and fasten with #8 black screws (H) on top.
7. Install a second black #8 screw (H) in bottom of fixture (A) attaching it to mounting bracket (B).



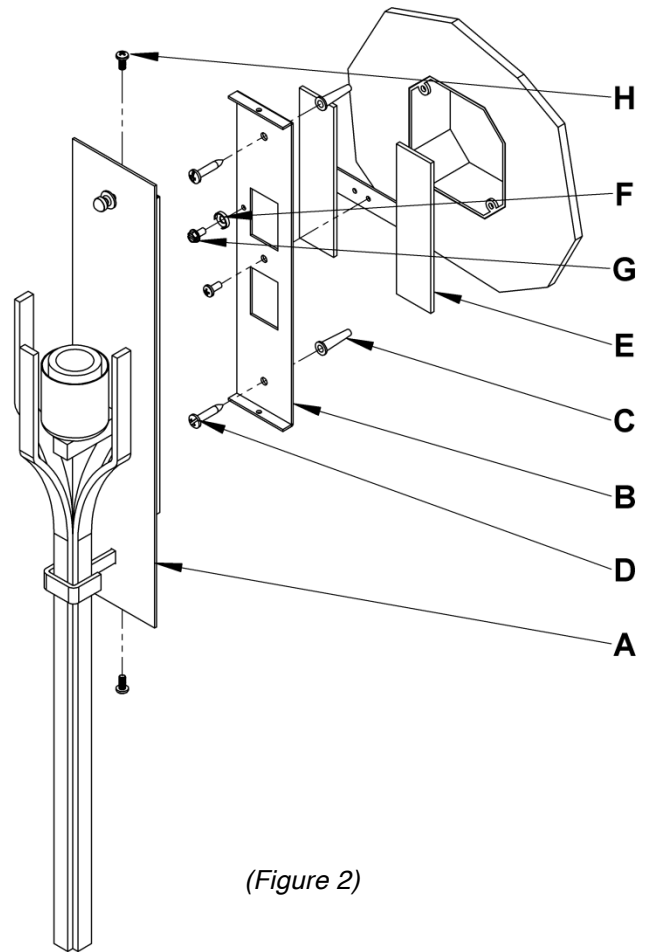
(Figure 1)

To Mount Fixture to 4" Box (Figure 2)

- A Fixture
- B Mounting Bracket
- C Anchors (2)
- D #10 Screws (2)
- E Electric Box Cover (4" box)
- F Cupped Washer
- G Ground Screw
- H #8 Black Screws (3)

Caution: Be sure power is off at the main breaker box prior to installation.

1. Carefully unpack the fixture from the carton.
2. Remove #8 black screw (H) from electric box cover (E). Attach electric box cover (E) to wall mounting bracket (B) using #8 black screw (H).
3. With a pencil, mark the location of all mounting holes in the wall mount bracket (B) on the wall behind.
4. Drill 1/4" holes in the locations marked on the wall. For holes using anchors, place the tapered end of the anchors (C) into the holes and gently tap them flush to the wall using a light weight hammer.
5. Thread the wires in the electrical box through the hole in the wall mounting bracket (B) while moving the bracket into position. Using the 1" #10 screws (D), screw the bracket securely to the wall. Be careful not to over-tighten or strip the anchors.
6. Hold the fixture (A) close to the mounting bracket (B) and using suitable wire connectors (not provided) connect fixture wires to supply wires (white to white and black to black). Attach ground screw (G) and cupped washer (F) to mounting bracket (B). Run a pigtail lead from the ground screw (G) and cupped washer (F) toward the electrical box and connect all ground wires (bare copper or green to bare copper or green).
Caution: Make sure wire connectors are twisted on securely, and no bare wires are exposed.
7. Carefully tuck all wires behind the fixture (A) and inside the mounting bracket (B). Place the fixture (A) firmly onto bracket (B) and fasten with #8 black screw (H) on top.
8. Install second #8 black screw (H) in bottom of fixture (A).



(Figure 2)

Assembly & Installation Instructions

Mediki Torch Sconce 204750

B343

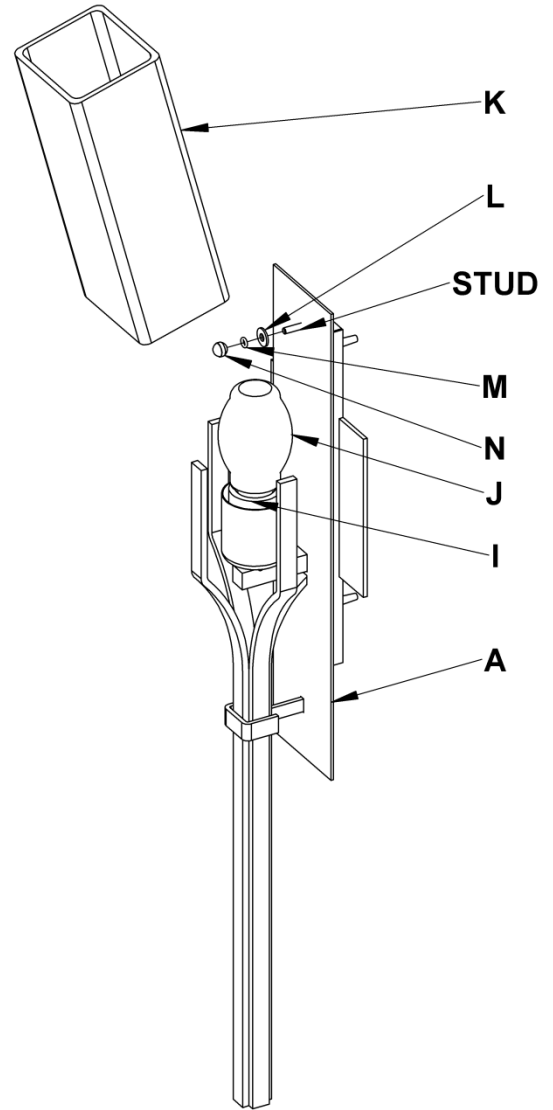
Page 3 of 4

To Install Glass (Figure 3)

Component Parts

- A Fixture
- I Socket
- J Bulb (not included)
- K Glass
- L Washer
- M O-ring
- N Knurled Ball

1. Install light bulb (J) into socket (I).
2. Remove knurled ball (N), o-ring (M), and washer (L) from stud on fixture (A). Save for use in next step.
3. Slip glass (K) over bulb (J). Align hole in glass (K) with stud on fixture (A). Slide glass (K) over stud followed by washer (L) and o-ring (M). Thread knurled ball (N) onto stud to secure glass (K). *Be careful not to overtighten.*
4. Restore electricity at main breaker.



(Figure 3)

If you need further assistance, or find that you are missing any parts, please contact the dealer from which you purchased this product. We hope you enjoy your fixture!

Assembly & Installation Instructions

Mediki Torch Sconce 204750

B343

Page 4 of 4

* Hubbardton Forge will not be liable for injury or damage caused by improper installation, lamping or use of this fixture.