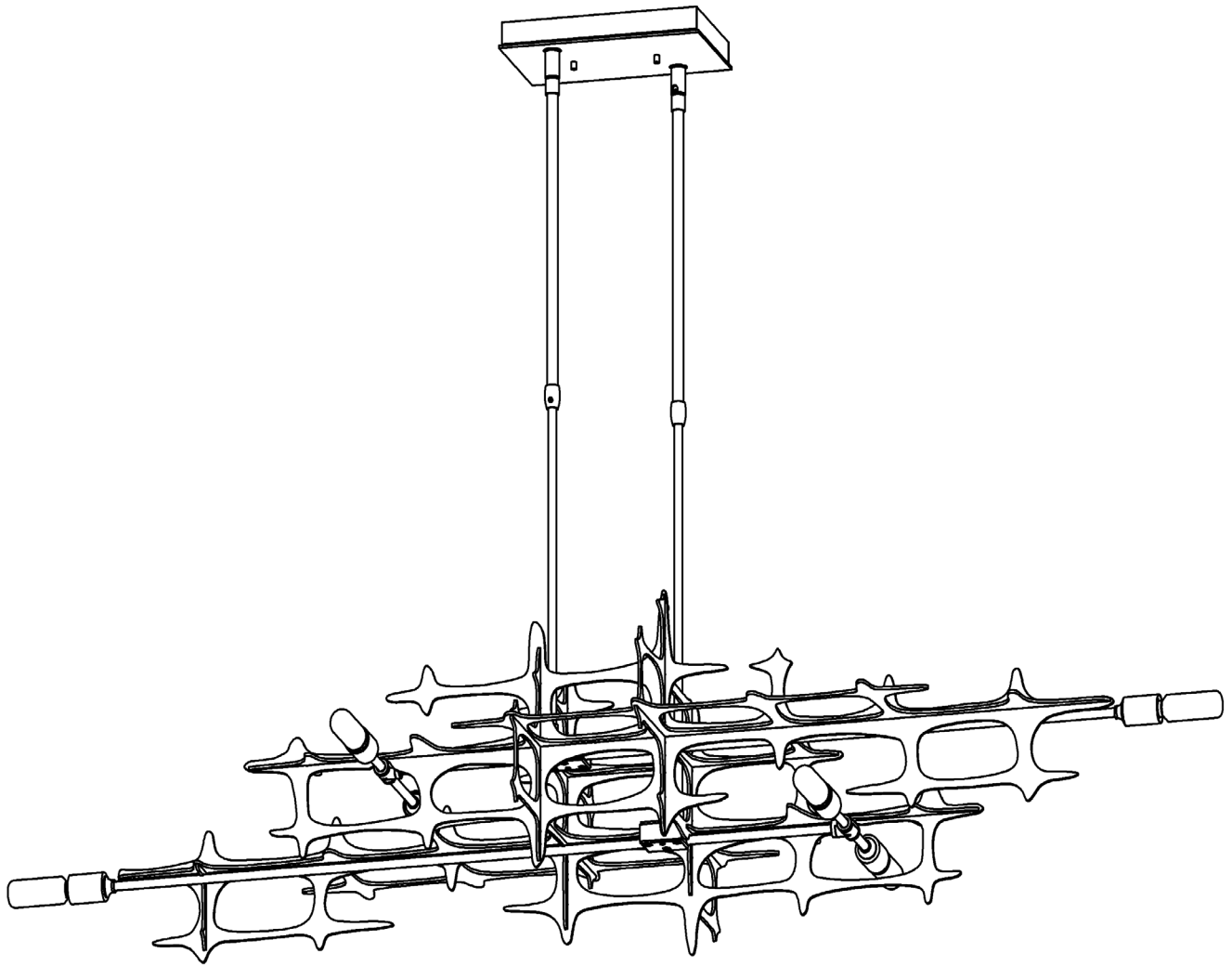


ASSEMBLY & INSTALLATION INSTRUCTIONS

A586

Grid Pendant 136385



Component Parts

- A Fixture**
- B Fixture Pipe (2)**
- C Fixture Coupling (2)**
- D Mounting Bracket**
- E Plastic Sleeve (2)**
- F Set Screw (2)**
- G Canopy Pipe (2)**
- H Clutch (2)**
- I Swivel (2)**
- J Canopy**
- K Hex Nipple (2)**
- L Lock Washer (2)**
- M Pipe Bracket (2)**
- N # 10 Screws (4)**
- O Anchor (4)**
- P Ground Screw**
- Q Cupped Washer**
- R Safety Cable**
- S Safety Cable Screw**
- T Studs (2)**
- U Standoffs (2)**
- V Barrel Knobs (2)**
- W Socket (6)**
- X Bulb (6)**



Grid Pendant 136385

CAUTION: FAILURE TO INSTALL THIS FIXTURE PROPERLY MAY RESULT IN SERIOUS PERSONAL INJURY OR DEATH AND PROPERTY DAMAGE. We recommend installation by a licensed electrician. This product must be installed in accordance with applicable installation code(s), by a person familiar with the construction and operation of the product and the hazards involved.*

Caution: Do not exceed maximum wattage noted on fixture. Use only recommended bulbs with fixture.

Please Note: After installation extra hardware and accessories are possible; our kits are used on multiple products.

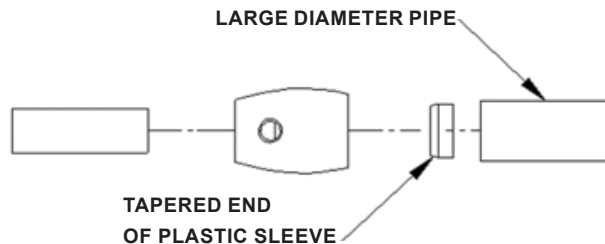
To Install Fixture (Figures 1 & 2 - on final page)

CAUTION: BE SURE POWER IS OFF AT THE MAIN BREAKER BOX PRIOR TO INSTALLATION.

1. Carefully unpack fixture (A) from carton.
2. Locate fixture pipe (B) and slip the end of the pipe with the shorter threads over wires.
3. Apply a drop of the supplied thread locking compound to the internal threads of the fixture coupling (C) and screw fixture pipe (B) into fixture coupling, being careful not to twist the wires. Repeat for remaining fixture pipe.

Note: Application of the thread locking compound is necessary to prevent the stem from loosening during regular maintenance and cleaning of the fixture. Be certain to apply the compound.

4. Slide wires through holes in canopy (J) and lower the canopy so that it rests on the fixture (A).
5. Center the mounting bracket (D) over the electrical box. Be sure to line up oval slots in bracket with mounting holes in electrical box. With a pencil, mark the location of all mounting holes in the mounting bracket (D) on the ceiling.
6. Put the bracket (D) down and drill 1/4" holes in the locations marked on the ceiling. Place the tapered end of the anchors (O) into the holes and gently tap them flush to the ceiling using a light weight hammer.
7. Locate canopy pipes (G) with clutch (H) and swivel (I) attached. Remove hex nipples (K) and lock washers (L) from pipes and retain for later use. Slide the wires from the fixture pipes (B) through the canopy pipes (G), swivels (I) and pipe bracket (M). Slide lock washer (L) and hex nipple (K) over wires and onto pipe bracket. Thread into swivel (I), securing swivel to pipe bracket.
8. If mounting on a sloped ceiling, be sure notches in swivels (I) are facing the same direction.
9. Unscrew the clutch (H) from canopy pipe (G); slide it across the wires and onto the fixture pipe (B). Follow this with the plastic sleeve (E), oriented so the tapered end nests in the clutch (Figure 1). It may be necessary to loosen the set screw (F) in the clutch (H).



(Figure 1)

ASSEMBLY & INSTALLATION INSTRUCTIONS

A586

Grid Pendant 136385

10. Slide the canopy pipes (G) over the fixture pipes (B) as far as necessary to give you the total desired height of the fixture (A). Be careful not to scratch the pipe surface and to pull excess wire up through the canopy pipe. There must be a minimum 1-1/2" of inner pipe inside the outer pipe.
11. Once desired height has been reached, tighten the set screws (F) in clutches (H) firmly with hex wrench provided.
12. Thread the two studs (T) into the standoffs (U) on the mounting bracket (D).
13. Raise fixture (A) assembly up to the ceiling.
14. Thread the wires from the electrical box through the center hole in the mounting bracket (D) while moving the bracket into position.
15. Using two machine screws (not provided), fasten the mounting bracket (D) to the electric box using oval slots in center.
Note: A new electric box comes with screws. When replacing a fixture, retain the existing screws for use with the new fixture
16. Using the #10 screws (N), screw the bracket (D) securely to the ceiling. Be careful not to over-tighten or strip the anchors (O).
17. Raise canopy (J) close to ceiling and using safety cable screw (S), found in kit bag, attach safety cable (R) to mounting bracket (D). Safety cable will support canopy while wiring connections are being made.
18. Attach a pigtail lead to the mounting bracket (D) using the ground screw (P) and cupped washer (Q), found in kit bag.
19. Using suitable wire connectors (not provided) connect fixture wires to supply wires (white to white and black to black). Connect all ground wires (bare copper or green to bare copper or green) together.

CAUTION: MAKE SURE WIRE CONNECTORS ARE TWISTED ON SECURELY AND NO BARE WIRE IS EXPOSED.

20. Raise the canopy (J) up to the ceiling and secure with barrel knobs (V). Be sure threaded studs (T) are fully seated in barrel knobs.

CAUTION: BE SURE NO WIRES ARE PINCHED BETWEEN CANOPY AND CEILING.

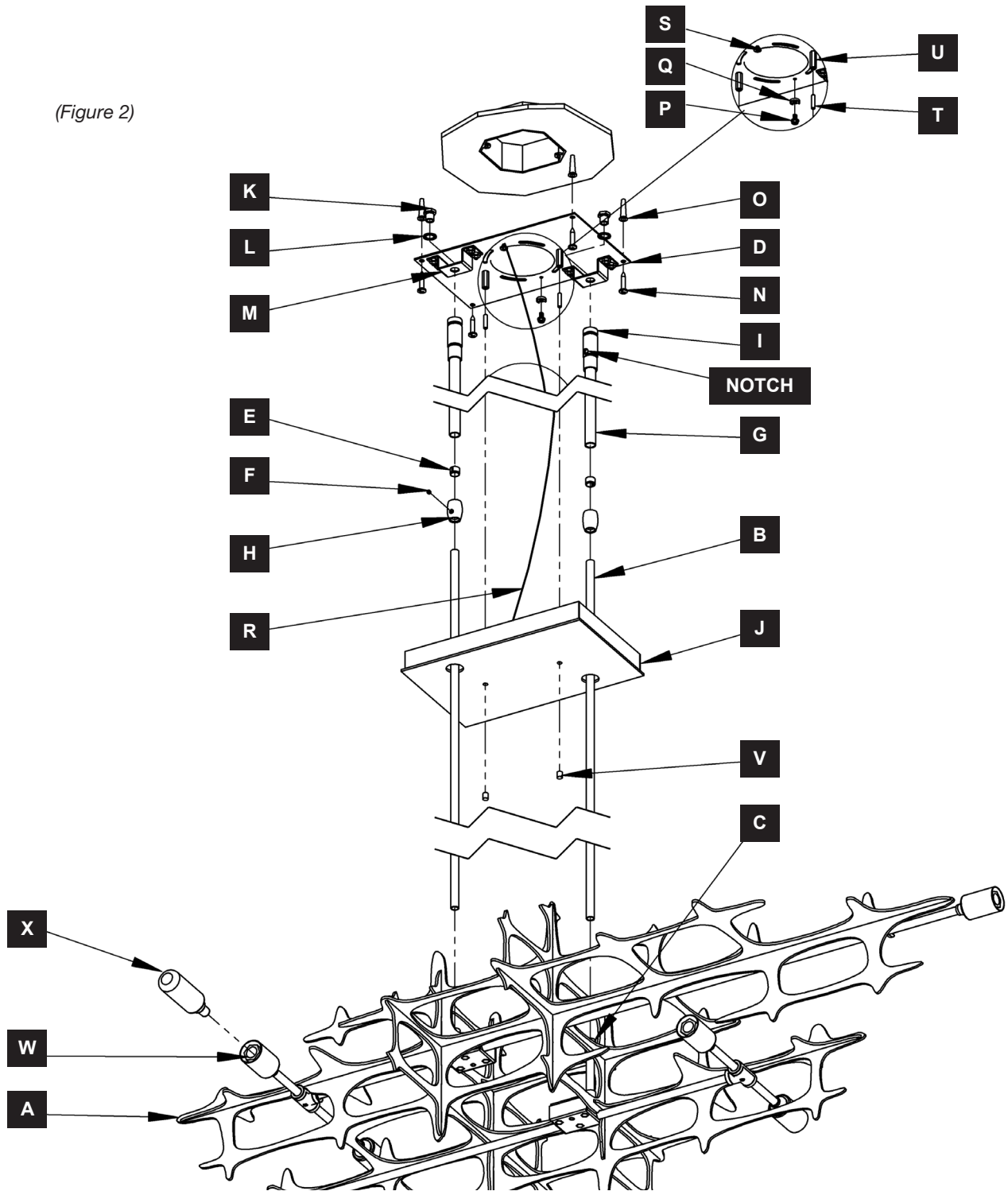
21. Install bulbs (X - not provided) into sockets (W).
22. Restore electricity at main breaker.



HUBBARDTON FORGE.

Grid Pendant 136385

(Figure 2)



If you need further assistance, or find that you are missing any parts, please contact the dealer from which you purchased this product. We hope you enjoy your fixture!

*** Hubbardton Forge will not be liable for injury or damage caused by improper installation, lamping or use of this fixture.**