

# ASSEMBLY & INSTALLATION INSTRUCTIONS

Outdoor Semi-Flush 365605 & 365605LED

A191



## Component Parts

- A**      **Crossbar**
- B**      **Ground Screw**
- C**      **Threaded Stud (2)**
- D**      **Canopy**
- E**      **Barrel Knobs (2)**
- F**      **Glass Retaining Ring (2)**
- G**      **Screws (3)**
- H**      **Socket**
- I**      **Outer Glass (larger diameter glass)**
- J**      **Spider Assembly**
- K**      **Inner Glass**



# ASSEMBLY & INSTALLATION INSTRUCTIONS

A191

Outdoor Semi-Flush 365605 & 365605LED

**CAUTION: FAILURE TO INSTALL THIS FIXTURE PROPERLY MAY RESULT IN SERIOUS PERSONAL INJURY OR DEATH AND PROPERTY DAMAGE.** We recommend installation by a licensed electrician. This product must be installed in accordance with applicable installation code(s), by a person familiar with the construction and operation of the product and the hazards involved.\*

Caution: Do not exceed maximum wattage noted on fixture. Use only recommended bulbs with fixture.

Caution: Damp location outdoor hanging fixtures are designed for use in covered spaces such as porches protected from prolonged exposure to water and wind. If installing in locations subject to wind the use of supplementary chains, cables, or similar restraints may be necessary to protect against swinging and twisting. If in doubt consult a qualified installer.

Please Note: After installation extra hardware and accessories are possible due to our kits are used on multiple products and options.

## To Install Fixture (Figure 1)

**CAUTION: BE SURE POWER IS OFF AT THE MAIN BREAKER BOX PRIOR TO INSTALLATION.**

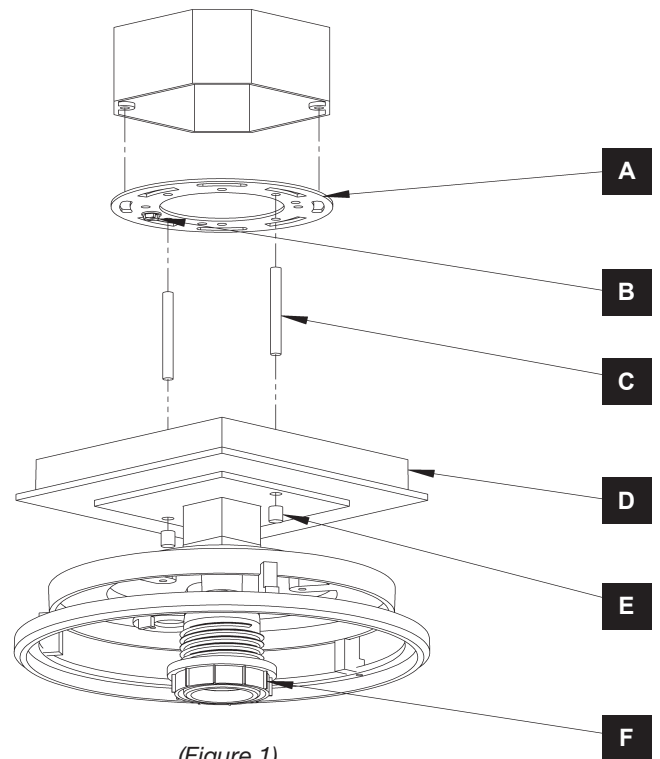
1. Carefully unpack fixture.
2. Thread studs (C) through appropriate holes in cross bar (A) to match hole centers in canopy (D). Move ground screw (B) to another available threaded hole if necessary.
3. Using two machine screws (not provided) fasten cross bar (A) to the electric box using outer oval holes to orient fixture to desired hanging position. Note: A new electric box comes with screws. When replacing an existing fixture, retain the screws for use with the new fixture.
4. Using suitable wire connectors (not provided) connect fixture wires to supply wires (white to white or ribbed and black to black or smooth). Connect all ground wires to green ground screw (B).

**CAUTION: MAKE SURE WIRE CONNECTORS ARE TWISTED ON SECURELY AND NO BARE WIRE IS EXPOSED.**

5. Slide fixture canopy (D) over threaded studs and push firmly to ceiling. Fasten with barrel knobs (E). Be sure studs (C) are fully seated in the barrel knobs (E).

**CAUTION: BE SURE NO WIRES ARE PINCHED BETWEEN THE CANOPY AND THE CEILING.**

6. Remove glass retaining ring (F) and save for later use.
7. Refer to instructions below to install glass & bulb.



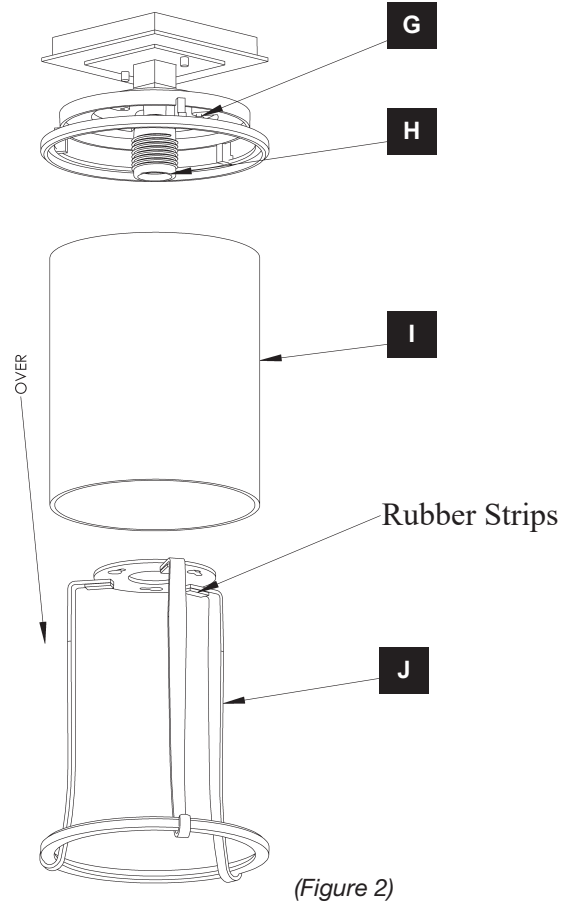
# ASSEMBLY & INSTALLATION INSTRUCTIONS

A191

Outdoor Semi-Flush 365605 & 365605LED

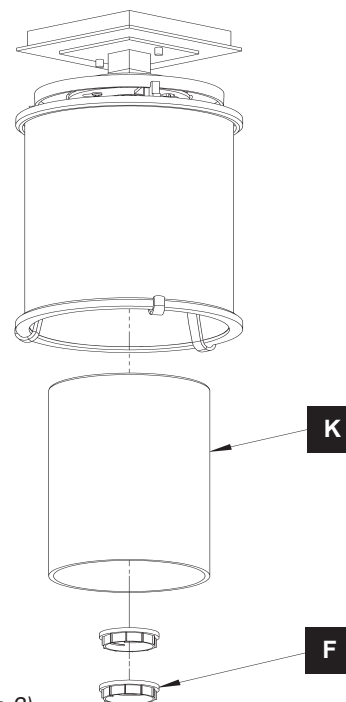
## To Install Outer Glass (Figure 2)

1. Install rubber strips as shown in figure 2. Strips are adhesive backed on one side.
2. Unthread screws (G) that are shipped installed in threaded bosses on underside of fixture next to socket (H). Loosen screws until there are only a couple threads engaged with the threaded bosses.
3. Slip outer glass (I) over spider assembly (J).
4. Raise spider assembly (J) with outer glass (I) installed and slip over socket (H) aligning holes in the top of the spider assembly (J) keyed ring goes over screws (G).
5. Turn spider assembly (J) counter clockwise until it stops. Tighten three screws (G) until snug against the spider assembly. **Be careful not to over tighten.**



## To Install Inner Glass (Figure 3)

1. Slip inner glass (K) over socket.
2. Thread the first retaining ring (F) onto socket until it is against top of the inner glass (K).
3. Thread the second retaining ring (F) onto socket until it is snug against the first retaining ring. Do not over tighten.
4. Install light bulb. "LED" version bulb is included.
5. Restore electricity at main breaker.



If you need further assistance, or find that you are missing any parts, please contact the dealer from which you purchased this product. We hope you enjoy your fixture!

**\* Hubbardton Forge will not be liable for injury or damage caused by improper installation, lamping or use of this fixture.**



HUBBARDTON FORGE.

MODERN AMERICAN BLACKSMITHS | FINE, HAND CRAFTED LIGHTING  
CASTLETON, VERMONT USA | HUBBARDTONFORGE.COM