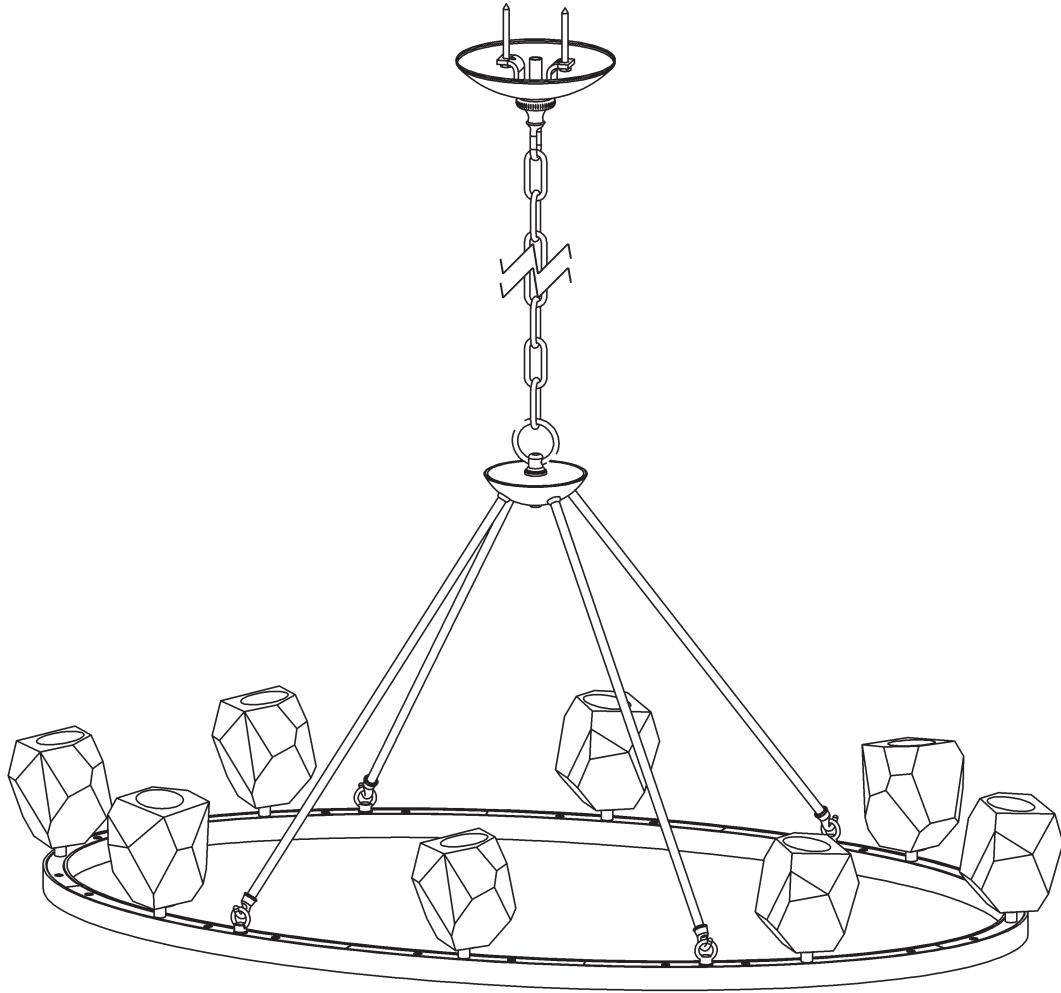


ASSEMBLY & INSTALLATION INSTRUCTIONS

A770

Gatsby Chandelier Simplified 105021



HUBBARDTON FORGE.

MODERN AMERICAN BLACKSMITHS | FINE, HAND CRAFTED LIGHTING
CASTLETON, VERMONT USA | HUBBARDTONFORGE.COM

Component Parts

- | | |
|--------------------------|----------------------------------|
| A Fixture | V Socket Cup (8) |
| B Can | W Washer (8) |
| C Pipe (2) | X Crystal (8) |
| D Lock Washer (2) | Y Socket (8) |
| E Hex Nut (2) | Z Bulb (8) - Not Included |
| F Pipe Hook (2) | |
| G Pipe Loop (2) | |
| H Cover Plate | |
| I Fixture Nipple | |
| J Fixture Loop | |
| K Crossbar | |
| L Canopy Nipple | |
| M Lag Screw (2) | |
| N Lock Nut | |
| O Canopy | |
| P Loop Collar | |
| Q Canopy Loop | |
| R Chain | |
| S Ground Screw | |
| T Cupped Washer | |
| U Ground Nut | |



ASSEMBLY & INSTALLATION INSTRUCTIONS

A770

Gatsby Chandelier Simplified 105021

CAUTION: FAILURE TO INSTALL THIS FIXTURE PROPERLY MAY RESULT IN SERIOUS PERSONAL INJURY OR DEATH AND PROPERTY DAMAGE. We recommend installation by a licensed electrician. This product must be installed in accordance with applicable installation code(s), by a person familiar with the construction and operation of the product and the hazards involved.*

Caution: Do not exceed maximum wattage noted on fixture. Use only recommended bulbs with fixture.

Please Note: After installation extra hardware and accessories are possible due to our kits are used on multiple products and options.

To Assemble Fixture (Figures 1 & 2 - on following page)

1. Carefully unpack fixture (A) from the carton.
2. Locate pipes (C). Lock washers (D) and hex nuts (E) are shipped attached on pipes. Remove and retain for later step.
3. Fixture loop (J) and cover plate (H) are shipped installed. Unthread loop (J) and slide both loop (J) and cover plate (H) on wires to access can (B).
4. Raise can (B) up and install pipe (C) into hole until half ball rests on can (B). Place lock washer (D) over end of pipe (C) and secure with hex nut (E).
5. Install pipe hook (F) on end of pipe (C) into pipe loop (G). It may be necessary to loosen hex nuts (E) slightly to allow hook (F) to install into loop (G).
6. Repeat with remaining pipe (C). Once pipes (C) are installed and hooks (F) are attached to pipe loops (F), tighten all hex nuts (E) completely.
7. Place cover plate (H) over fixture nipple (I). Secure with fixture loop (J).

CAUTION: BE SURE NO WIRES ARE PINCHED BETWEEN COVER PLATE (H) AND CAN (B).

8. Follow steps on remaining pages to complete fixture install.



HUBBARDTON FORGE.

MODERN AMERICAN BLACKSMITHS | FINE, HAND CRAFTED LIGHTING
CASTLETON, VERMONT USA | HUBBARDTONFORGE.COM

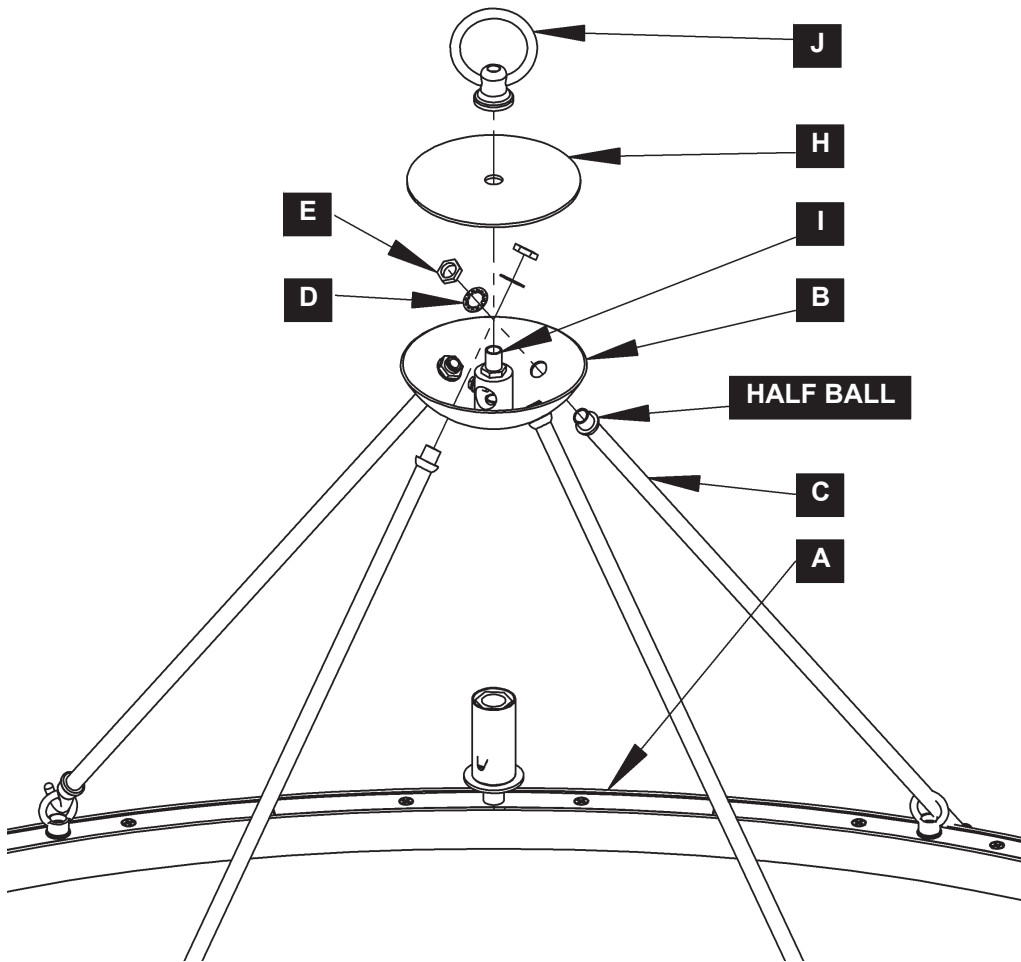
49662

3 OF 7

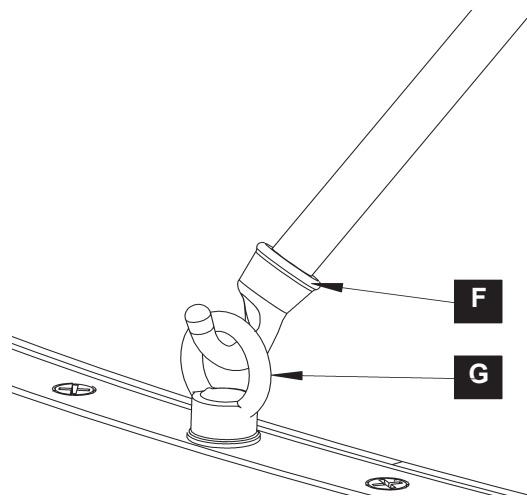
ASSEMBLY & INSTALLATION INSTRUCTIONS

A770

Gatsby Chandelier Simplified 105021



(Figure 1)



(Figure 2)



HUBBARDTON FORGE.

MODERN AMERICAN BLACKSMITHS | FINE, HAND CRAFTED LIGHTING
CASTLETON, VERMONT USA | HUBBARDTONFORGE.COM

ASSEMBLY & INSTALLATION INSTRUCTIONS

A770

Gatsby Chandelier Simplified 105021

To Attach to Ceiling *(Figure 3 - on following page)*

CAUTION: BE SURE POWER IS OFF AT THE MAIN BREAKER BOX PRIOR TO INSTALLATION.

1. Drill two holes through the back of the outlet box and using two lag screws (M), attach crossbar (K) to a solid structural member in the ceiling, centering the crossbar in the outlet box.
Lag screws are supplied with your fixture; however, different materials and/or construction methods may require different fasteners. If in doubt, contact a qualified electrician.
2. Thread canopy loop (Q) onto canopy nipple (L). Place canopy (O) over loop and adjust nipple length to ensure a snug canopy fit using loop collar (P). Once the length is determined, set the canopy and loop collar aside and lock canopy nipple position by tightening the lock nut (N) against the crossbar (K).
3. Attach one end of the chain (R) to fixture loop (J).
4. Slide loop collar (P) and canopy (O) over chain (R) and fixture wires until they rest on fixture loop (J). Thread the fixture wires through every other link of the chain (R). Attach the other end of the chain to the canopy loop (Q).
5. Run wires up through the canopy loop (Q) and canopy nipple (L) into the outlet box.
6. Using suitable wire connectors (not provided), connect fixture wires to supply wires (ribbed side of fixture cord to white supply, smooth side of fixture cord to black supply). Run a pigtail lead from the ground screw (S), cupped washer (T) and ground nut (U) on crossbar (K) and connect all ground wires (bare copper or green to bare copper or green) together. Push wires back into outlet box.

CAUTION: MAKE SURE WIRE CONNECTORS ARE TWISTED ON SECURELY AND NO BARE WIRE IS EXPOSED.

7. Slide the canopy (O) up the chain (R) and over the canopy loop (Q). Holding tight to the ceiling, secure with loop collar (P).

CAUTION: BE SURE NO WIRES ARE PINCHED BETWEEN THE CANOPY (O) AND THE CEILING.

8. Follow remaining steps to install crystals.



HUBBARDTON FORGE.

MODERN AMERICAN BLACKSMITHS | FINE, HAND CRAFTED LIGHTING
CASTLETON, VERMONT USA | HUBBARDTONFORGE.COM

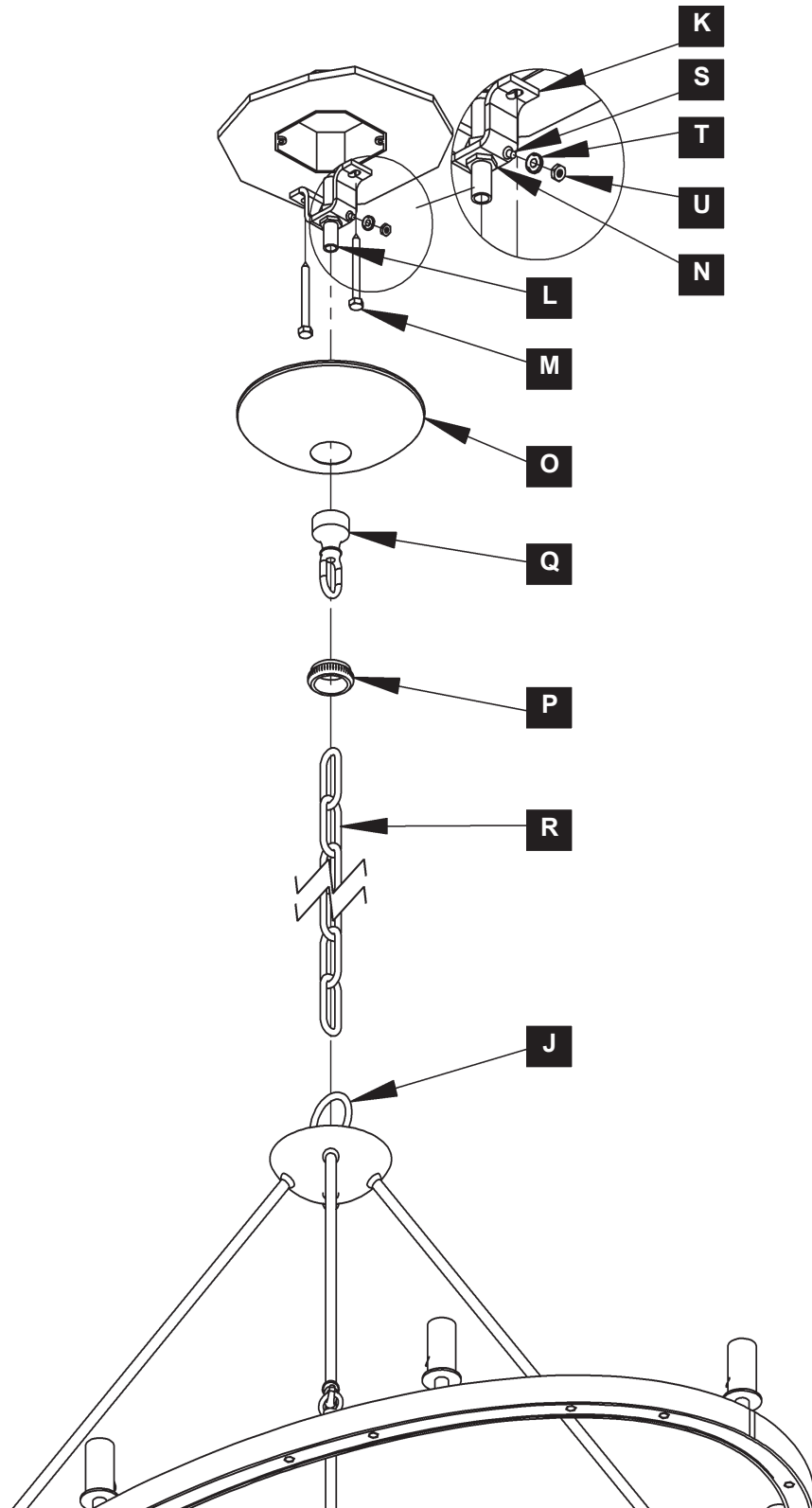
49662

5 OF 7

ASSEMBLY & INSTALLATION INSTRUCTIONS

A770

Gatsby Chandelier Simplified 105021



(Figure 3)

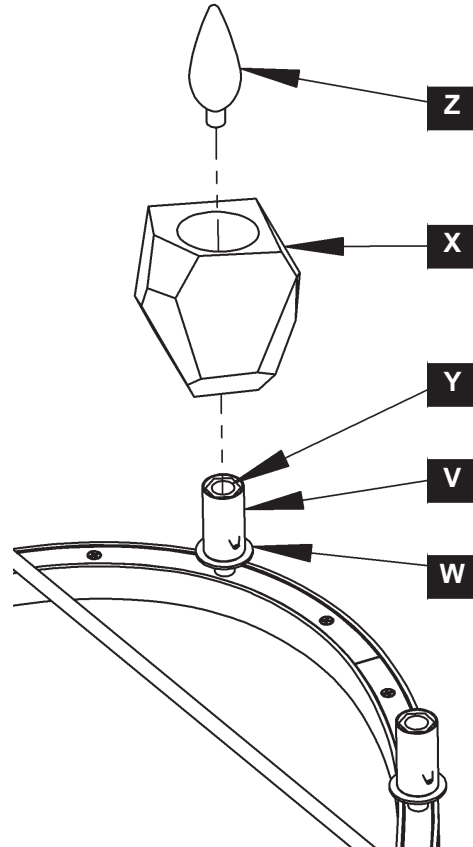


HUBBARDTON FORGE.

MODERN AMERICAN BLACKSMITHS | FINE, HAND CRAFTED LIGHTING
CASTLETON, VERMONT USA | HUBBARDTONFORGE.COM

To Install Crystals *(Figure 4)*

1. Locate the crystals (X) and white gloves.
- Note: Using white gloves while handling the crystals (X) will prevent smudges.
2. Place crystal (X), smaller hole first, over socket cup (V) until it rests on washer (W). Crystal can be rotated on socket cup to desired orientation.
 3. If needed, use the provided white gloves to polish the crystals (X).
 4. Install bulb (Z), not included, into socket (Y).
 5. Repeat steps 2 thru 4 for remaining crystals (X) and sockets (Y).
 6. Restore electricity at the main breaker.



(Figure 4)

If you need further assistance, or find that you are missing any parts, please contact the dealer from which you purchased this product. We hope you enjoy your fixture!

*** Hubbardton Forge will not be liable for injury or damage caused by improper installation, lamping or use of this fixture.**