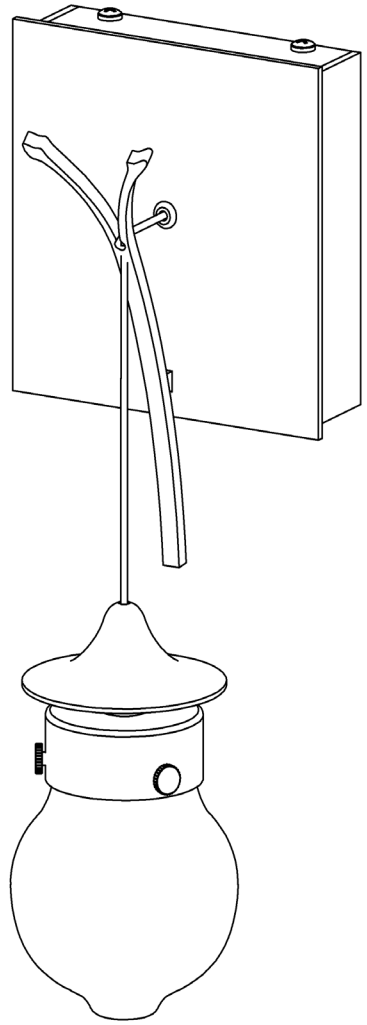


ASSEMBLY & INSTALLATION INSTRUCTIONS

B382

Kiwi Sconce 203325



Component Parts

- A Fixture**
- B Mounting Bracket**
- C Ground Screw**
- D Cupped Washer**
- E #8 Screws (4)**
- F Socket Assembly**
- G Socket**
- H Bulb (not included)**
- I Shield**
- J Cup**
- K Glass**
- L Knurled Screws (3)**



ASSEMBLY & INSTALLATION INSTRUCTIONS

B382

Kiwi Sconce 203325

CAUTION: FAILURE TO INSTALL THIS FIXTURE PROPERLY MAY RESULT IN SERIOUS PERSONAL INJURY OR DEATH AND PROPERTY DAMAGE. We recommend installation by a licensed electrician. This product must be installed in accordance with applicable installation code(s), by a person familiar with the construction and operation of the product and the hazards involved.*

Caution: Do not exceed maximum wattage noted on fixture. Use only recommended bulbs with fixture.

Please Note: After installation extra hardware and accessories are possible due to our kits are used on multiple products and options.

To Install Fixture (Figure 1)

CAUTION: BE SURE POWER IS OFF AT THE MAIN BREAKER BOX PRIOR TO INSTALLATION.

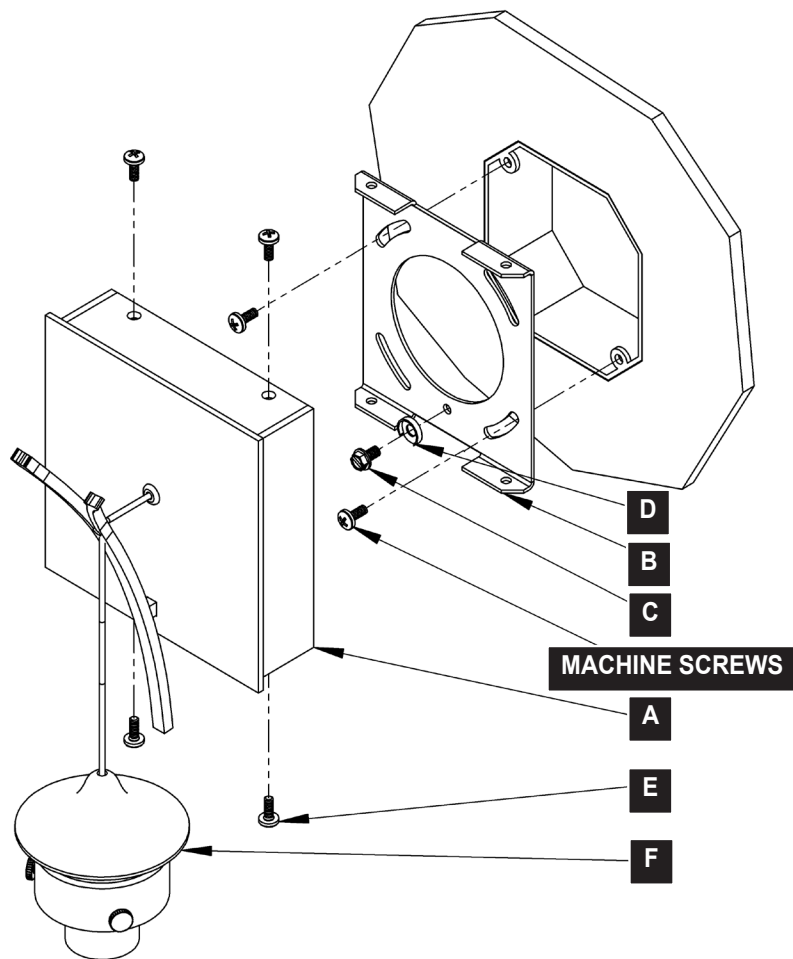
1. Carefully unpack the fixture (A) from the carton.
2. Remove rubber band and remove mounting bracket (B) from fixture (A). Socket assembly (F) is shipped inside foam bag. Leave foam bag installed for this portion of installation to keep assembly from being scratched.
3. Thread the wires in the electrical box through the hole in the mounting bracket (B) while moving the bracket into position. Place mounting bracket over electrical box and secure with two machine screws (not provided). Place ground screw (C) hole on the bottom for ease of installation

Note: A new electric box comes with screws. When replacing a fixture, retain the existing screws for use

4. Attach a pigtail lead to the mounting bracket (B) using the ground screw (C) and cupped washer (D) found in kit bag.
5. Hold fixture (A) close to wall. Using suitable wire connectors (not provided), connect fixture wires to supply wires (white to white and black to black). Connect all ground wires (bare copper or green to bare copper or green).

CAUTION: MAKE SURE WIRE CONNECTORS ARE TWISTED ON SECURELY AND NO BARE WIRE IS EXPOSED.

6. Place fixture (A) over mounting bracket (B). Secure with #8 screws (E) on top and bottom of fixture (A). Be sure no wires are pinched between fixture and wall.
7. Follow steps on following page to complete installation.

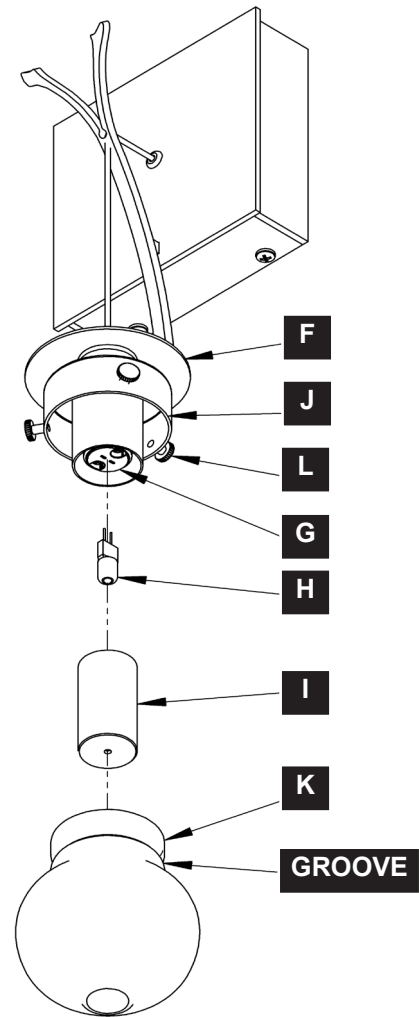


(Figure 1)

Kiwi Sconce 203325

To Install Glass *(Figure 2)*

1. Remove foam bag from socket assembly (F) and discard.
2. Install bulb (H) (not provided), into socket (G).
3. Thread shield (I) onto socket (G).
4. Slide glass (K) into cup (J). It might be necessary to loosen knurled screws (L) to allow glass to slide into cup. They will not need to be removed completely.
5. Align groove in glass (K) with screws (L) and tighten screws evenly until snug against glass. Be sure not to overtighten screws as this could break glass.
6. Restore electricity at main breaker.



(Figure 2)

If you need further assistance, or find that you are missing any parts, please contact the dealer from which you purchased this product. We hope you enjoy your fixture!

*** Hubbardton Forge will not be liable for injury or damage caused by improper installation, lamping or use of this fixture.**