

Glass Installation Instructions

B34

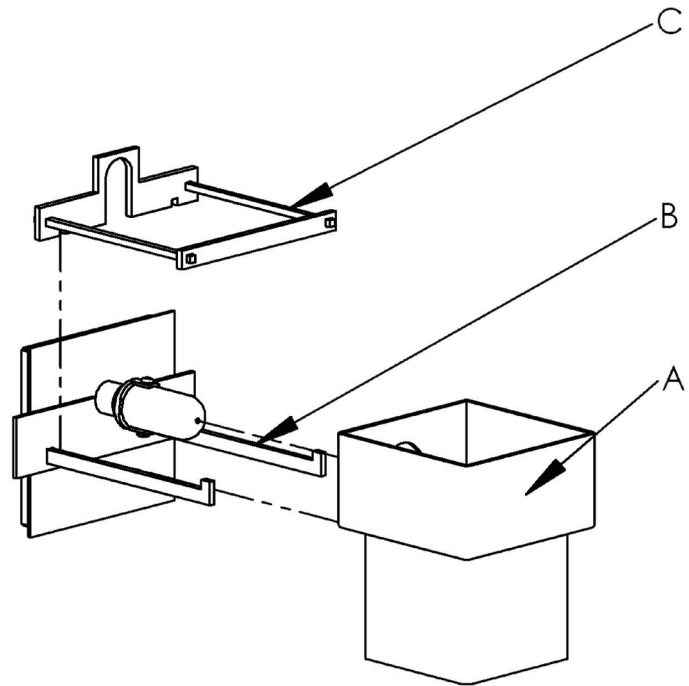
Please refer to fixture assembly and installation instructions prior to glass installation.

Component Parts

- A** Glass
- B** Fixture Bar
- C** Frame Assembly

To Install Glass

1. Slide Glass (A) over fixture socket and let it rest on Fixture Bars (B).
2. Place Frame Assembly (C) down over glass. The notches in the back of the glass should sit onto the fixture bars, and the front bar of the frame assembly should sit just behind the notch on the front of the fixture bars.



If you need further assistance, or find that you are missing any parts, please contact the dealer from which you purchased this product. We hope you enjoy your fixture!