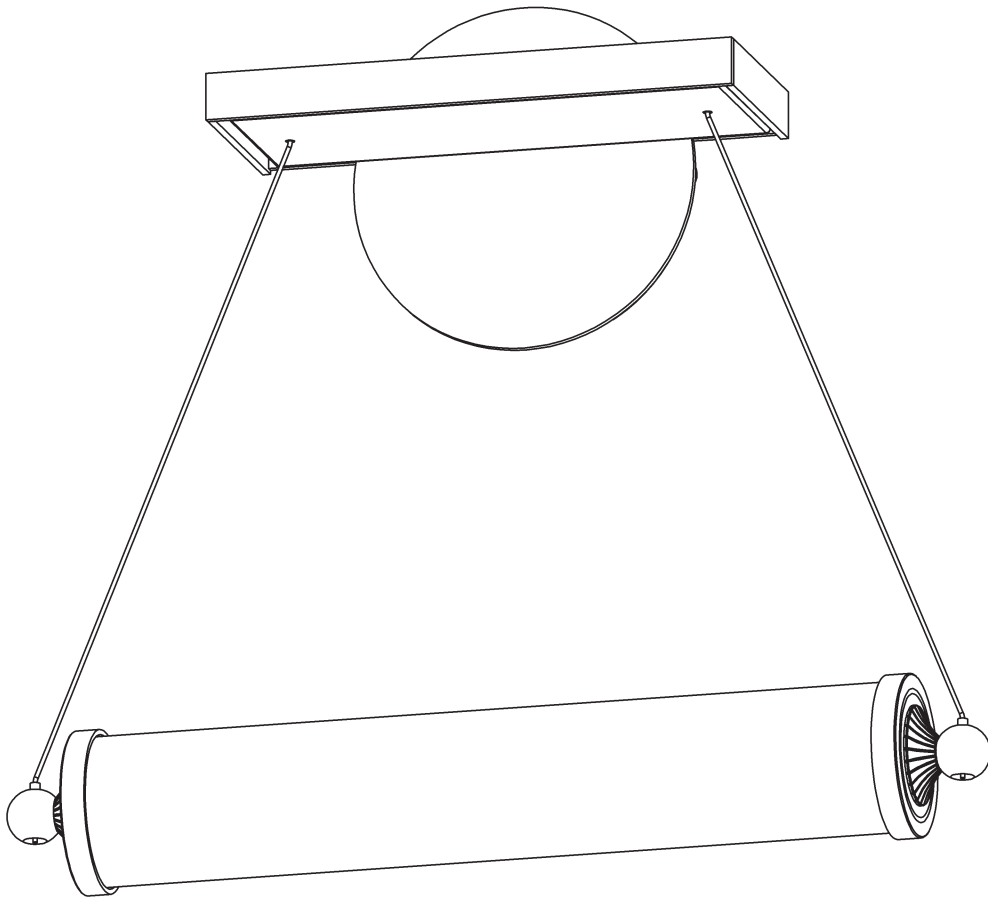


# ASSEMBLY & INSTALLATION INSTRUCTIONS

**B455**

Libra Glass Sconce 209105

---



HUBBARDTON FORGE.

MODERN AMERICAN BLACKSMITHS | FINE, HAND CRAFTED LIGHTING  
CASTLETON, VERMONT USA | HUBBARDTONFORGE.COM

46879 Rev B

1 OF 4

## Component Parts

- A        Fixture**
- B        Crossbar**
- C        Driver**
- D        #8 Screw (2)**
- E        Cupped Washer**
- F        Ground Screw**
- G        Cable (2)**
- H.       Glass Assembly**
- I.       Glass Gripper (2)**
- J.       Terminal Connector (2)**



# ASSEMBLY & INSTALLATION INSTRUCTIONS

B455

Libra Glass Sconce 209105

**CAUTION: FAILURE TO INSTALL THIS FIXTURE PROPERLY MAY RESULT IN SERIOUS PERSONAL INJURY OR DEATH AND PROPERTY DAMAGE.** We recommend installation by a licensed electrician. This product must be installed in accordance with applicable installation code(s), by a person familiar with the construction and operation of the product and the hazards involved.\*

Please Note: After installation extra hardware and accessories are possible due to our kits are used on multiple products and options.

## To Install To Wall (Figure 1)

**CAUTION: BE SURE POWER IS OFF AT THE MAIN BREAKER BOX PRIOR TO INSTALLATION.**

1. Carefully unpack fixture (A) from the carton.
2. Hold driver (C) close to wall. Using suitable wire connectors (not provided) connect driver wires to supply wires (white to white and black to black).

**CAUTION: MAKE SURE WIRE CONNECTORS ARE TWISTED ON SECURELY AND NO BARE WIRE IS EXPOSED.**

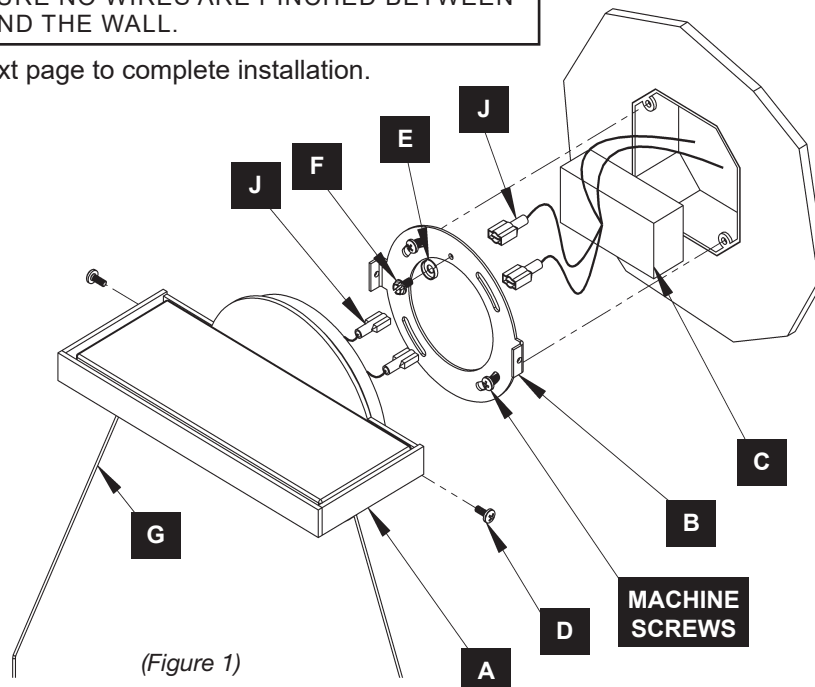
3. Push driver (C) into electrical box with wires w/ connectors (J) facing out.
4. Using two machine screws (not provided) attach crossbar (B) to electric box.  
**Note:** A new electrical box comes with screws. When replacing a fixture, retain the existing screws for use with the new fixture.
5. Attach a pigtail lead to crossbar (B) using cupped washer (E) and ground screw (F) found in kit bag.

**Note:** Driver may be prewired or may be wired with disconnects, if prewired proceed with step 7, if wired with disconnects go to step 6.

6. Hold fixture (A) close to wall with cables (G) facing down. Using wire connectors provided (J), connect driver (C) wires to LED wires (red to red and blue to blue).
7. Connect all ground wires (bare copper or green to bare copper or green).
8. Push fixture (A) firmly against the wall. Attach fixture (A) to wall using a #8 screw (D) on each side.

**CAUTION: BE SURE NO WIRES ARE PINCHED BETWEEN THE FIXTURE AND THE WALL.**

9. Follow steps on next page to complete installation.



**HF** HUBBARDTON FORGE.

MODERN AMERICAN BLACKSMITHS | FINE, HAND CRAFTED LIGHTING  
CASTLETON, VERMONT USA | HUBBARDTONFORGE.COM

46879 Rev B

If you need further assistance, or find that you are missing any parts, please contact the dealer from which you purchased this product. We hope you enjoy your fixture!

\* Hubbardton Forge will not be liable for injury or damage caused by improper installation, lamping or use of this fixture.

3 OF 4

Libra Glass Sconce 209105

## To Install Glass Assembly (Figure 2)

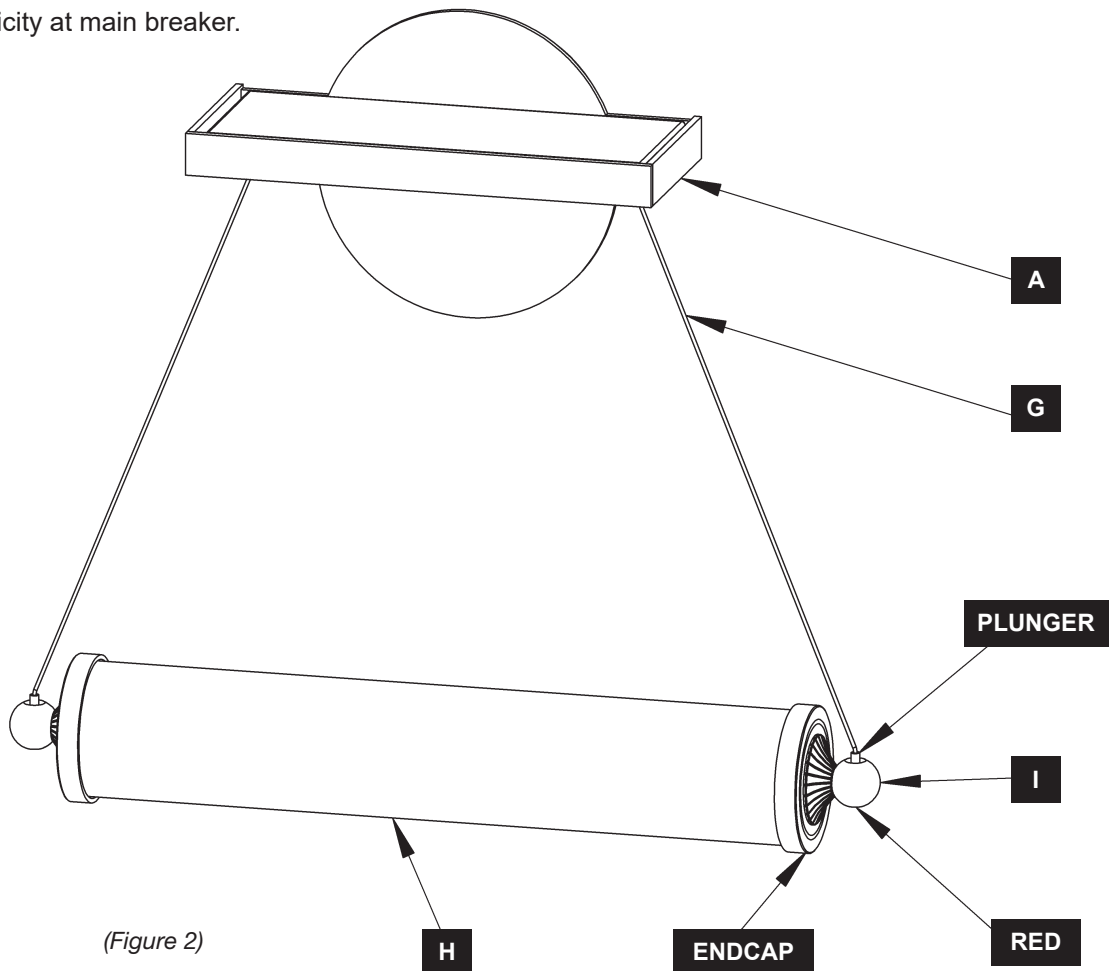
1. Carefully unpack glass assembly (H).
2. One glass gripper (I) will be marked red on the bottom for (+).
3. The fixture (A) is marked on the side with a (+) label. Red glass gripper (I) will always be on the (+) cable and the other side on the (-) cable.
4. Slide glass assembly (H), plunger end first, up appropriate cables (G).

**Note:** Be sure red glass gripper is on the (+) cable.

5. If glass assembly (H) needs to be lowered, push in on the plunger to release cable, hold in, and move assembly to desired location.
6. Cut cables (I) as close to glass grippers (I) as possible.

**Note:** Glass assembly (H) can be lowered slightly to hide end of cut cable (G) if desired.

7. Restore electricity at main breaker.



(Figure 2)

If you need further assistance, or find that you are missing any parts, please contact the dealer from which you purchased this product. We hope you enjoy your fixture!

*\* Hubbardton Forge will not be liable for injury or damage caused by improper installation, lamping or use of this fixture.*