

Assembly & Installation Instructions

Folio Linear Pendant 13-7687D

A397

Page 1 of 3

CAUTION: FAILURE TO INSTALL THIS FIXTURE PROPERLY MAY RESULT IN SERIOUS PERSONAL INJURY OR DEATH AND PROPERTY DAMAGE. We recommend installation by a licensed electrician.

This product must be installed in accordance with applicable installation code(s), by a person familiar with the construction and operation of the product and the hazards involved.*

Caution: Do not exceed maximum wattage noted on fixture. Use only recommended bulbs with fixture.

Attach Fixture Pipes (Figure 1)

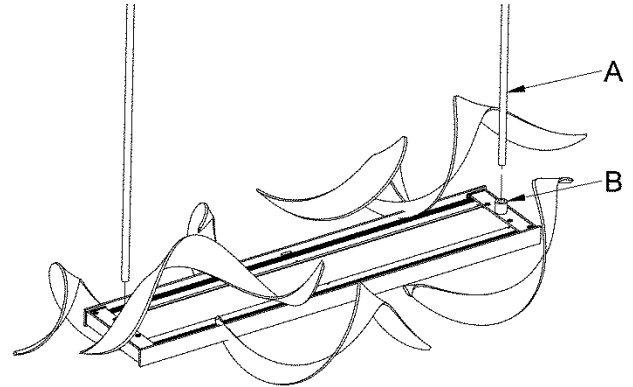
Component Parts

- A Fixture Pipe (2)
- B Fixture Coupling (2)

1. Carefully unpack the fixture from the carton.
2. Carefully thread one fixture pipe (A), threaded end first, over fixture wires.
3. Apply a drop of the supplied thread locking compound to the internal threads of the fixture coupling (B) and screw fixture pipe (A) into fixture, being careful not to twist the wires.

Note: Application of the thread locking compound is necessary to prevent the stem from loosening during regular maintenance and cleaning of the fixture. Be certain to apply the compound.

4. Screw second fixture pipe (A), again using locking compound, into fixture coupling (B) on other side of fixture without wires.
5. See instructions below to complete the installation.



(Figure 1)

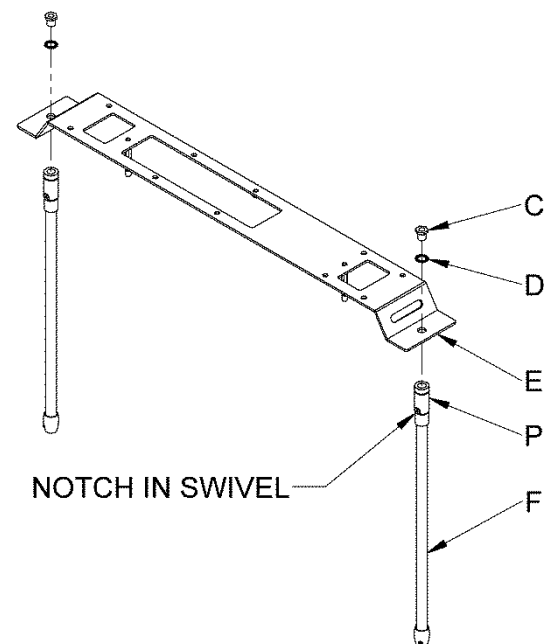
Assemble Canopy Pipes to Ceiling Bracket (Figure 2)

Component Parts

- C Hex Nipple (2)
- D Lock Washer (2)
- E Ceiling Bracket
- F Canopy Pipes (2)
- P Swivel (2)

1. Hex Nipple (C) and Lock Washer (D) are shipped installed in swivel at top of Canopy Pipe (F). Remove these parts for use in next step.
2. Insert threaded end of hex nipple (C) down through lock washer (D), ceiling bracket (E) and into swivel at the end of canopy pipe (F). *Note: Ceiling bracket should be oriented with the threaded studs pointing down.*
3. Tighten hex nipples (C) securely being sure the notches in the swivels are aligned.

Note: If installing on a sloped ceiling, make certain that notches in swivel (P) are oriented toward the lower side of the slope.



(Figure 2)

(continued)

Assembly & Installation Instructions

Folio Linear Pendant 13-7687D

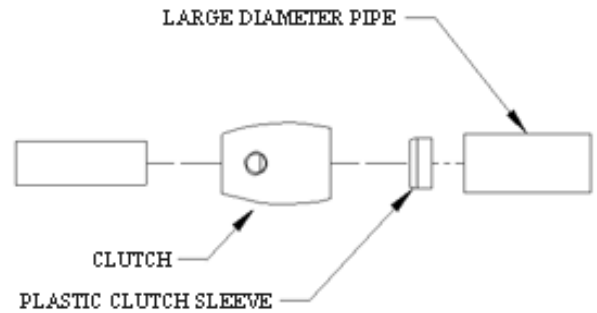
A397

Page 2 of 3

Complete Fixture Assembly (Figures 3 & 4)

Component Parts

- | | | | |
|---|------------------|---|---------------------------|
| A | Fixture Pipe (2) | H | Canopy |
| C | Hex Nipple | I | Plastic Clutch Sleeve (2) |
| F | Canopy Pipe (2) | J | Set Screw (2) |
| G | Clutch (2) | | |



(Figure 3)

Caution: Be sure power is off at the main breaker box prior to installation.

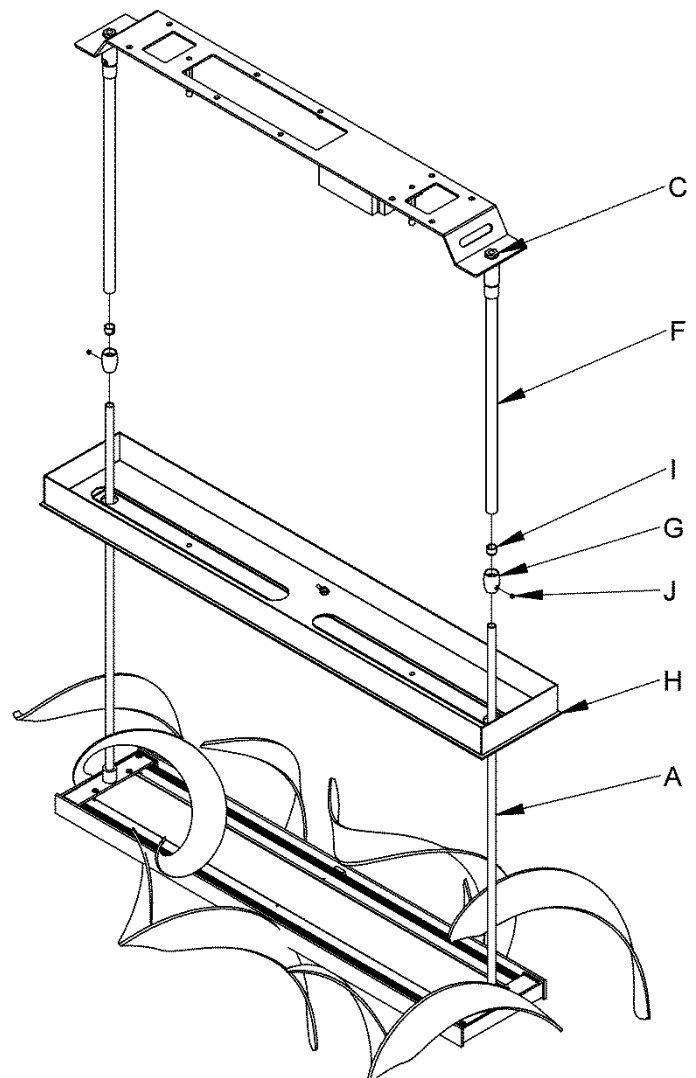
1. Line up holes in Canopy (H) with fixture pipes (A). Slide over fixture pipes (A) until canopy (H) rests on top of fixture.
2. Thread the wires from the fixture pipe (A) into and through the canopy pipe (F) up through the hex nipple (C).
3. Unscrew the clutch (G) from the canopy pipe (F); slide it across the wires and onto the fixture pipe (A). Follow this with the plastic clutch sleeve (I), oriented so the tapered end of the clutch sleeve nests in the clutch. Repeat for second set of pipes.

(Figure 3).

4. Slide the canopy pipe (F) as far as necessary to give desired total length of the fixture. Be careful not to scratch the pipe surfaces and to pull excess wire up through the canopy pipe (F). Screw clutch (G) onto canopy pipe (F). There must be a minimum 1-1/2" of inner pipe inside the outer pipe. Hand-tighten the clutch to temporarily hold this adjustment. The clutch is not securely fastened at this point; do not depend on it to hold the fixture. Repeat for both pipes.

Important: To ensure full connection strength, be sure the tapered end of the plastic clutch sleeve is oriented toward the clutch when assembled and securely tighten set screw. (Figure 3)

5. Continue with Ceiling Installation.



(Figure 4)

(continued)

Assembly & Installation Instructions

Folio Linear Pendant 13-7687D

A397

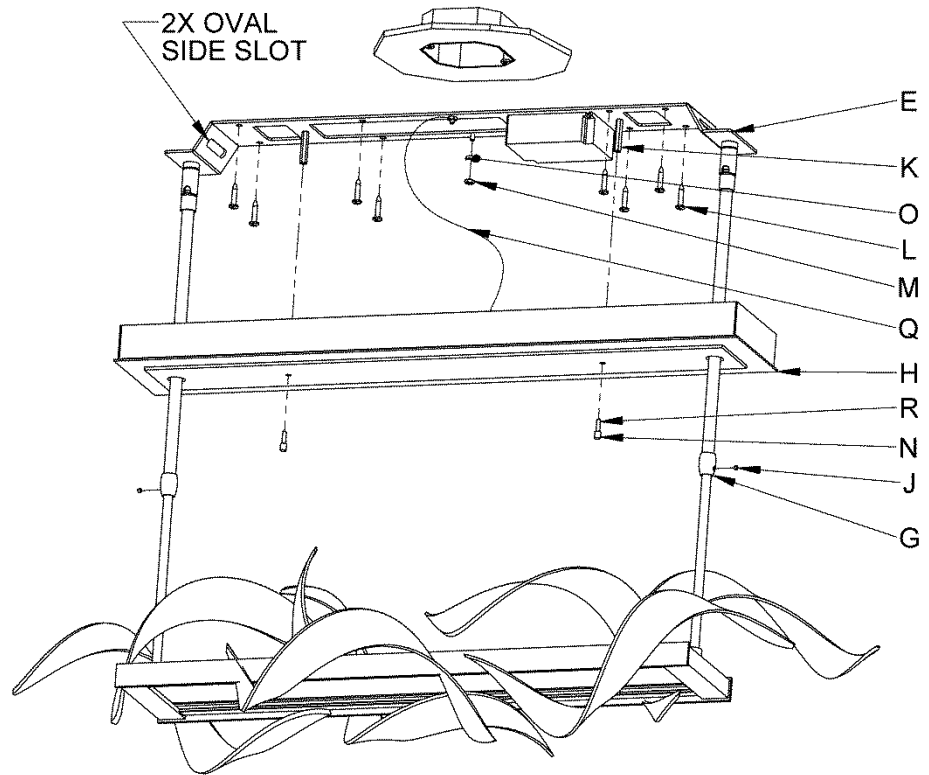
Page 3 of 3

Install to Ceiling (Figure 5)

Component Part

E Ceiling Bracket	K Standoff (2)	O Cupped Washer
G Clutch (2)	L #10 Wood Screws (8)	Q Safety Cable
H Canopy	M Hex Nut	R Threaded Stud (2)
J Set Screw (2)	N Barrel Knobs (2)	

1. Using wood screws (L) attach ceiling bracket (E) to a structural member in the ceiling, centering the bracket over the outlet box. Wood screws are supplied with your fixture; however, different materials and/or construction methods may require different fasteners. If in doubt, contact a qualified electrician. Do not attach ceiling bracket directly to outlet box.
2. Once the fixture is fastened to the ceiling, tighten the set screws (J) firmly with hex wrench provided. *Be sure to tighten set screws in both clutches (G).*
3. Raise Canopy (H). Connect Safety Cable (Q) from Canopy to Mounting Bracket (E). Mounting bracket is shipped with a nut on the stud to attach safety cable (Q).
4. To wire fixture, route red and blue wires from canopy pipes inward through the oval side slot in Mounting Bracket (E). The LED Driver OUTPUT wires are red and blue (or black) and are shipped with connectors attached. Connect the red wires from the fixture to the red wires from the driver using this connector. Repeat the same for the blue wires. Blue to blue or blue to black.



(Figure 5)

- WARNING:** Do not connect red and blue fixture wires to mains voltage, as this can damage LEDs and void warranty coverage.
5. Attach a pigtail lead to the ceiling bracket (E) using cupped washer (O) and hex nut (M). Connect fixture ground wire and pigtail lead to ground wire(s) from electrical box (bare copper or green to bare copper or green).
 6. Using suitable wire connectors (not provided) connect Driver INPUT wires to mains supply wires (white to white and black to black).
Caution: Make sure wire connectors are twisted on securely, and no bare wire is exposed.
 7. Barrel Knobs (N) are shipped on threaded studs (R). Slide canopy (H) over Mounting Bracket (E) and push firmly to ceiling, making sure that no wires are pinched between fixture canopy and ceiling. Screw barrel knobs (N) with studs (R) into standoffs (K).

If you need further assistance, or find that you are missing any parts, please contact the dealer from which you purchased this product. We hope you enjoy your fixture!

* Hubbardton Forge will not be liable for injury or damage caused by improper installation, lamping or use of this fixture.