

# ASSEMBLY & INSTALLATION INSTRUCTIONS



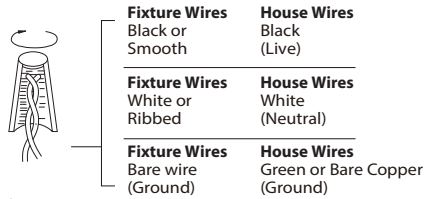
Fixture  
BPD46237

14. To install the crystal sections, follow these steps. (1) Align crystal section with one of the cutouts in the light body. (2) Angle the crystal section and insert into the track on the light body (Fig. 2). The cutout provides clearance for the crystal section to fit into the track. (3) Slide the crystal section, now resting in the track, in the direction of the arrow shown in Fig. 2. (4) Install the second crystal section at the opposite cutout on the fixture. Repeat steps until all crystal is installed. See notes below.
  - (i) Pay attention to orientation of crystal sections while installing. All crystals should be angled consistently (see views shown of complete fixture for reference).
  - (ii) When assembling the crystal, alternate adding crystal sections on both sides of the fixture to maintain balance. Do not load crystal unevenly, as this may cause the fixture to become unstable.
15. Once all crystal sections are assembled, install cover plates with cover plate screws (E) (Fig. 2). Adjust tagged cable until cable is in tension, then stop adjustment.

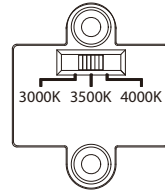
**(OPTIONAL) DIMMER WIRING (Fig. 5)**

- This fixture features electronic low voltage (ELV or TRAIAC) or 0-10V dimming capabilities. See notes below for specific dimming wires information.
- To utilize ELV or TRAIAC dimming: use wires black (live), white (neutral) and house green wire or bare copper wire (ground). Do not use dimmer wires on driver for ELV or TRAIAC dimming.
- To utilize 0-10V dimming: use wires purple (dim+), Pink or gray (dim-) from driver and connect to corresponding wires in junction box.

**Fig. 3 Wiring**

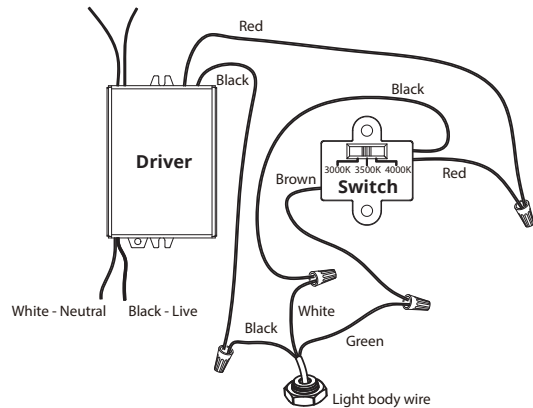


**Fig. 4 Switch**

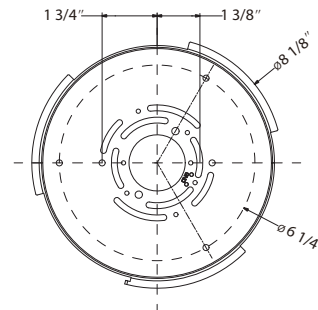


**Fig. 5**

Pink or Gray - DIMMER- Purple - DIMMER+



**Back Plate Dimensions**



Schonbek, 61 Industrial Blvd, Plattsburgh, New York, 12901  
 Phone: 1-800-836-1892 | Fax: 518-563-4228 |  
[www.schonbek.com](http://www.schonbek.com)

**HARDWARE**

**A**



Wire Connector  
Qty: 3PCS+1 Extra

**B**



Anti-Rotation Screw  
Qty: 1 PCS+1 Extra

**C**



Plastic Anchor  
Qty: 3PCS+1 Extra

**D**



Anchor Screw  
Qty: 3 PCS+1 Extra

**E**

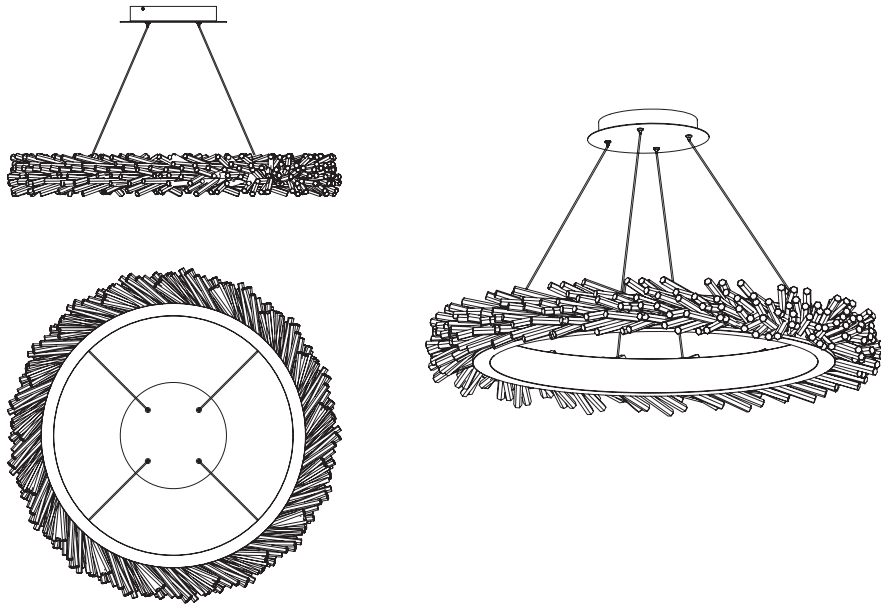


Cover Plate Screw  
Qty: 4 PCS+ 1 Extra

## ASSEMBLY & INSTALLATION INSTRUCTIONS

Fixture  
BPD46237

SCHONBEK  
*Beyond*



### WARNING

- IMPORTANT: NEVER attempt any work without shutting off the electricity.
- Read all instructions before installing.
  - System is intended for installation in accordance with the National Electrical Code (NEC), other applicable installation code(s) and local regulations by a licensed electrician familiar with the operation of the product and the hazards involved.
  - Go to the main fuse box, or circuit breaker panel. Place the main power switch in the "OFF" position and unscrew the fuse (s) or switch "OFF" the circuit breaker switch (es) that control the power to the fixture (s) or room that you are working on.
  - Place the wall switch in the "OFF" position.
  - FAILURE TO INSTALL THIS FIXTURE IN ACCORDANCE WITH THESE INSTRUCTIONS MAY RESULT IN SERIOUS PERSONAL INJURY OR DEATH AND/OR PROPERTY DAMAGE.

### CAUTION

- All parts must be used as indicated in these instructions. Do not substitute any parts, leave parts out, or use any parts that are worn out or broken. Failure to follow this instruction could invalidate the ETL/CETL Listing of this fixture.
- When handling the fixture, do not apply pressure to the LEDs or bulbs. Hold the fixture by the base only.
- Do not exceed maximum wattage noted on the fixture. Use only the recommended LED or standard lamps with the fixture.

### ADVERTENCIA

- IMPORTANT: NUNCA trate de hacer ningún trabajo sin desconectar la electricidad.
- Lea todas las instrucciones antes de instalar.
  - El sistema tiene por objeto la instalación de acuerdo con el Código Eléctrico Nacional, y otros códigos de instalación y reglamentos locales aplicables, por parte de un electricista autorizado que esté familiarizado con el funcionamiento del producto y los peligros involucrados.
  - Vaya a la caja de fusibles o al panel de disyuntores principal. Ponga el interruptor principal de alimentación en la posición de "APAGADO", y desenchufe los fusibles o "DESCONECTE" los disyuntores que controlen la alimentación a los dispositivos o a la habitación en la que usted está trabajando.
  - Ponga el interruptor de pared en la posición de "APAGADO".
  - EL HECHO DE NO INSTALAR ESTE DISPOSITIVO DE ACUERDO CON ESTAS INSTRUCCIONES PODRÍA RESULTAR EN UNA LESIÓN PERSONAL GRAVE O LA MUERTE, Y/O DAÑOS A LA PROPIEDAD.

### PRECAUCIÓN

- Todas las piezas deben usarse como se indica en estas instrucciones. No sustituya ninguna pieza, no deje piezas fuera, ni utilice ninguna pieza que esté desgastada ni rota. El hecho de no seguir estas instrucciones podría invalidar la certificación ETL/CETL de este dispositivo.
- Al manipular el dispositivo, no aplique presión a los LED ni las bombillas. Sujete el dispositivo solo por la base.
- No exceda la potencia máxima indicada en el dispositivo. Use solo los LED o las bombillas estándar recomendados con el dispositivo.

### ADVERTENCIA

- IMPORTANT: NUNCA trate de hacer ningún trabajo sin desconectar la electricidad.
- IMPORTANT: Ne JAMAIS entreprendre des travaux sans couper l'électricité.
- Lire toutes les instructions avant l'installation.
  - Ce système est conçu pour être installé conformément au Code national de l'électricité ou d'autres codes d'installation et réglementations locales en vigueur par un électricien agréé connaissant le fonctionnement de ce produit et les dangers qu'il comporte.
  - Aller à la boîte à fusibles ou panneau principal de disjoncteurs. Placer l'interrupteur d'alimentation principal sur « ARRÊT » et dévisser le ou les fusibles ou mettre sur « ARRÊT » le ou les disjoncteurs qui contrôlent l'alimentation du ou des appareils électriques ou de la pièce dans laquelle vous travaillez.
  - Mettez l'interrupteur mural sur « ARRÊT ».
  - NÉGLIGER D'INSTALLER CET APPAREIL CONFORMÉMENT À CES INSTRUCTIONS RISQUE D'entraîner DE GRAVES BLESSURES PERSONNELLES OU LA MORT AINSI QUE DES DOMMAGES MATÉRIELS.
  - MISE EN GARDE
  - Toutes les pièces doivent être utilisées comme indiqué dans ces instructions. Ne remplacer aucune pièce, ne laisser aucune pièce de côté ou n'utiliser aucune pièce usée ou cassée. Le non-respect de cette directive peut invalider l'homologation ETL/CETL de cet appareil.
  - Lors de la manipulation de cet appareil, n'appliquer aucune pression sur les DEL ou les ampoules. Maintenir l'appareil par la base uniquement.
  - Ne pas dépasser le nombre de watts maximum indiqué sur l'appareil. N'utiliser que les DEL ou ampoules standard recommandées dans cet appareil.

## ASSEMBLY & INSTALLATION INSTRUCTIONS

Fixture  
BPD46237

SCHONBEK  
*Beyond*

Fig. 1

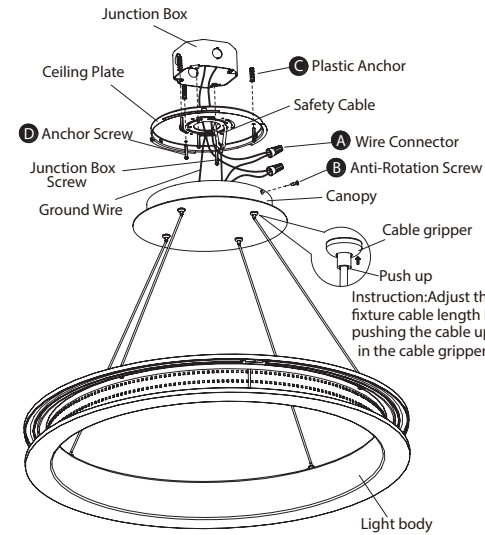
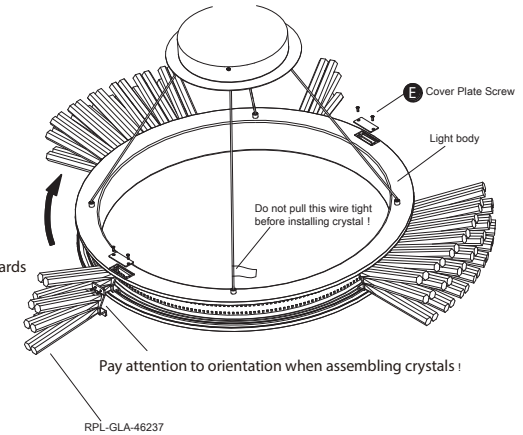


Fig. 2



### PREPARATION

- Shut off the power at the circuit breaker and remove existing fixture, including the crossbar.
- Carefully unpack your new fixture and lay out all the parts in a clear area. Be careful not to lose any small parts necessary for installation.

### MOUNTING CEILING PLATE (Fig. 1)

- Remove the anti-rotation screw (B) from the fixture. Remove the ceiling plate from the canopy.
- Set color temperature at this stage. The fixture can switch between three color temperatures (3000k, 3500k, 4000k), which can be adjusted to your preference using the switch (Fig. 4), mounted in either the canopy or on the ceiling plate.
- Using the ceiling plate as a template, drill holes in the ceiling aligned with the outer set of 3 holes located in the ceiling plate. Insert the plastic anchors (C) into the ceiling.
- First, secure the ceiling plate to the junction box using the junction box screws (not provided). Second, fasten the ceiling plate to the ceiling using anchor screws (D).
  - This fixture is more than 50 lbs and must be mounted or supported independently of an outlet/junction box.
  - The side of the ceiling plate marked "GND" must face out, towards the installer.
- Adjust each of the suspension cable lengths by pushing up on the cable gripper on the canopy and pulling the cable upwards through the cable gripper.
  - Adjust the cable lengths to be close to the desired suspension lengths before proceeding. Note: Retracting or extending excessive cable length through the cable gripper is not recommended.
  - Warning:** Cutting or modifying the suspension cables is not recommended and may result in voiding the warranty of the product.

### WIRING AND HANGING FIXTURE (Fig. 1, Fig. 3, Fig. 5)

- Raise the fixture and bring the canopy near the ceiling plate. Attach the fixture to the ceiling plate using a safety cable as shown (Fig. 1).
- Connect the driver input/output wires to the junction box wires as shown in Fig. 2 using wire connectors (A) provided. Ensure wire connectors (A) are secure. Connect the fixture's ground wire to the ground in the junction box; this will be either a green wire or a bare copper wire. After driver is wired to house wires, tuck them carefully inside the junction box.
- If using a dimmer with this fixture, wire dimmer connections at this stage per section titled "(OPTIONAL) DIMMER WIRING."
- Note the direction of the arrow stamped in the ceiling plate. Hold the canopy in both hands and place it on the ceiling plate as shown in Fig. 1, then rotate the canopy in the direction of the arrow until it stops. Install the anti-rotation screw (B).
- Turn on power to test the fixture.

### ASSEMBLING CRYSTAL (Fig. 2)

- Before installing the crystal, adjust the suspension cable lengths again until the light body is level. The tagged wire should not be in tension (Fig. 2).