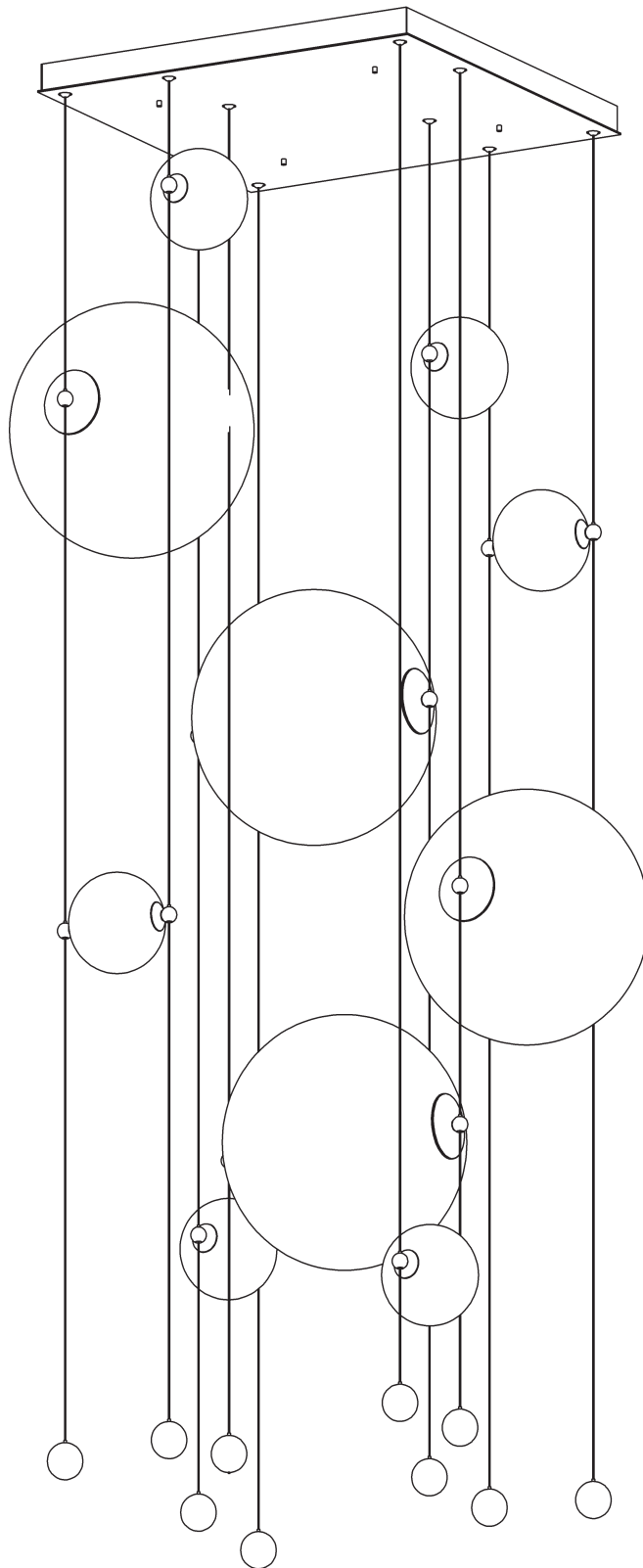


ASSEMBLY & INSTALLATION INSTRUCTIONS

A665

Abacus Square Pendant - 139051



HUBBARDTON FORGE.

MODERN AMERICAN BLACKSMITHS | FINE, HAND CRAFTED LIGHTING
CASTLETON, VERMONT USA | HUBBARDTONFORGE.COM

46876 Rev B

1 OF 7

Component Parts

A	Canopy
B	Cover Plate
C	Knob (4)
D	Anchor (8)
E	#10 Screws (8)
F	Ground Screw
G	Cupped Washer
H	Driver (2)
I	Cables (10)
J	Threaded Studs (4)
K	Safety Cable (2)
L	Glass Ball Large (4)
M	Glass Ball Small (6)
N	Glass Gripper (20)
O	Steel Ball (10)
P	Ball Gripper (10)
Q	Inner Glass Tube (4)
R	Large Glass Globe (4)
S	Large Endcap (8)
T	Glass Stud (4)



ASSEMBLY & INSTALLATION INSTRUCTIONS

A665

Abacus Square Pendant - 139051

CAUTION: FAILURE TO INSTALL THIS FIXTURE PROPERLY MAY RESULT IN SERIOUS PERSONAL INJURY OR DEATH AND PROPERTY DAMAGE. We recommend installation by a licensed electrician. This product must be installed in accordance with applicable installation code(s), by a person familiar with the construction and operation of the product and the hazards involved.*

Install Canopy (Figure 1 - on following page)

1. Carefully unpack the fixture from the carton.
2. Remove knobs (C) and separate cover plate (B) from canopy (A). Set aside for later use.
3. Center the canopy (A) over the electrical box. Be sure to line up oval slots in bracket with mounting holes in electrical box. With a pencil, mark the location of all mounting holes in the canopy (A) on the ceiling.
4. Put the canopy (A) down and drill 1/4" holes in the locations marked on the ceiling. Place the tapered end of the anchors (D) into the holes and gently tap them flush to the ceiling using a light weight hammer.
5. Thread the wires from the electrical box through the center hole in the canopy (A) while moving into position.
6. Using two machine screws (not provided), fasten the canopy (A) to the electric box using oval slots in center.
Note: Most electric boxes comes with screws. When replacing a fixture, retain the existing screws for use with the new fixture.
7. Using the #10 screws (E), screw the canopy (A) securely to the ceiling. Be careful not to over-tighten or strip the anchors (D).
8. If additional glass modules (L & M) will be added, attach canopy (A) to a structural member in the ceiling. We've supplied wood screws with your fixture, however, different materials and/or construction methods may require different fasteners. If in doubt, contact a qualified electrician.
9. Slide cables (I) through appropriate holes in cover plate (B). Holding cover plate (B) close to ceiling, connect safety cables (K) using nuts provided. Safety cables (K) will hold cover plate (B) while wiring connections are made.
10. Using suitable wire connectors (not provided) connect driver (H) wires to supply wires (white to white and black to black). Attach a pigtail lead to canopy (A) using the ground screw (F) and cupped washer (G) found in mounting kit. Connect all ground wires (bare copper or green to bare copper or green) together.

Caution: Be sure wire connectors are twisted on securely, and no bare wire is exposed.

11. Slip cover plate (B) over threaded studs (J). Secure with knobs (C). Be sure threaded studs are fully seated in knobs.

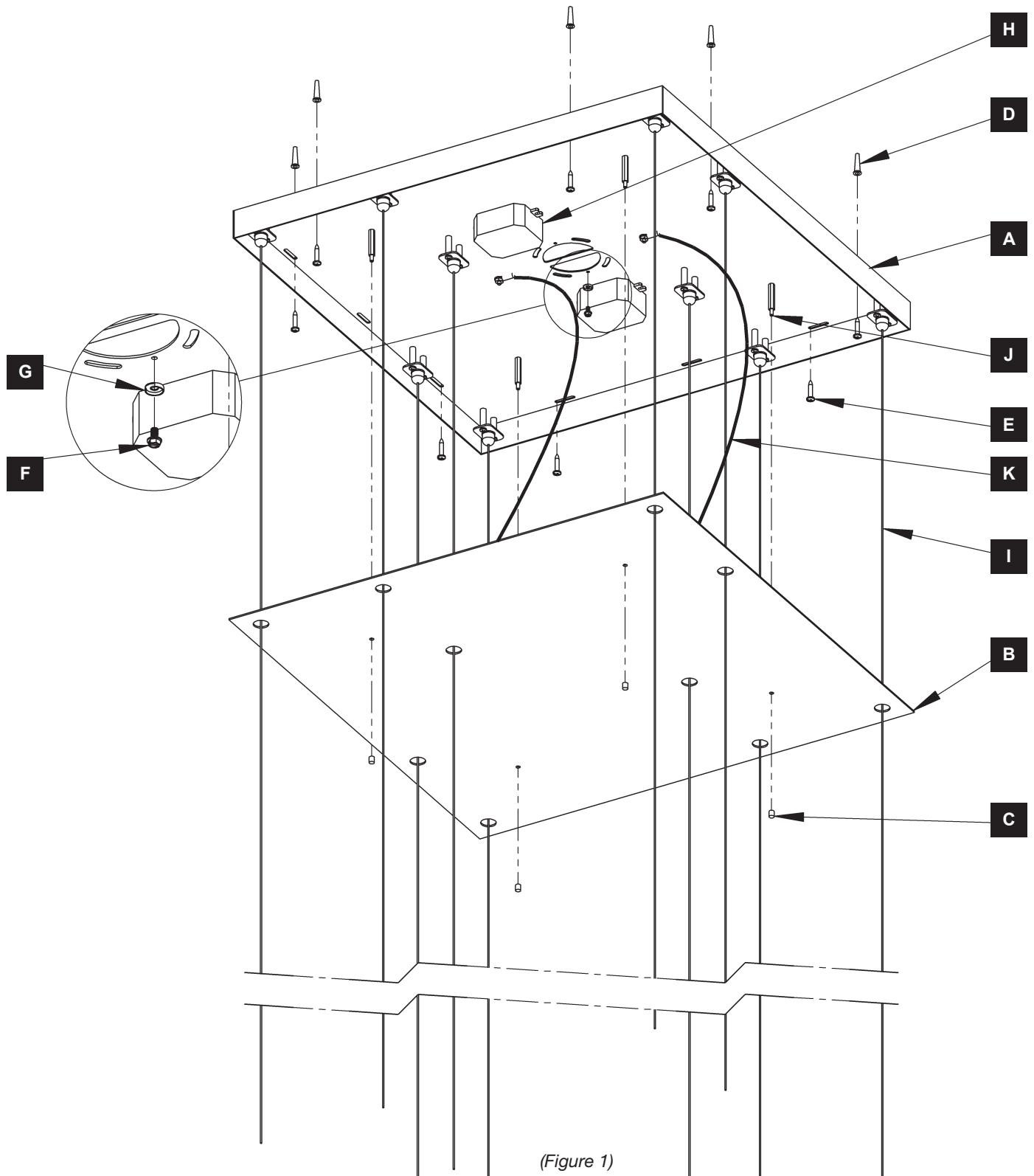
Caution: Be sure no wires are pinched between the cover plate (B) and the canopy (A).

12. Complete steps on following pages to install glass and complete installation.

ASSEMBLY & INSTALLATION INSTRUCTIONS

A665

Abacus Square Pendant - 139051



(Figure 1)

To Assemble Large Globes - (Figure 2)

1. Carefully unpack parts and glass.
2. Glass grippers (N) are differentiated with a red mark. Locate the gripper that does not have the red mark. Remove glass gripper (N) without red mark on bottom.

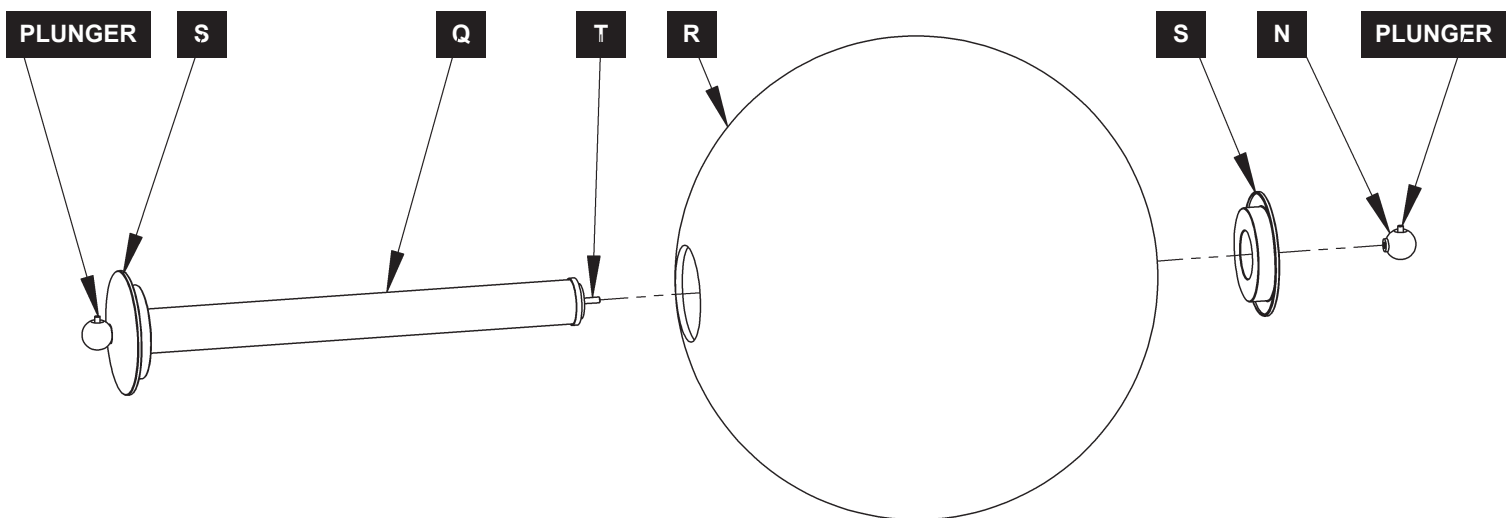
Caution: It is critical that the gripper without the red mark be the one that is removed.

3. Remove large endcap (S).
4. Slide large glass globe (R) over inner glass tube (Q) until it rests on installed large endcap (S).
5. Thread remaining endcap (S) onto glass stud (T) until it is snug against the glass (R).

Note: Be careful not to overtighten as this could break the glass.

6. Thread glass gripper (N) back onto glass stud (T) until snug against large endcap (S). Align both glass grippers (N) so plungers are facing same direction.
7. Repeat for remaining large glass globes (R).

CAUTION: IT IS THE RESPONSIBILITY OF THE INSTALLER TO SECURE GLASS GLOBE PER INSTRUCTIONS. FAILURE TO DO SO WOULD IMPLY THE RISK OF PERSONAL INJURY.



(Figure 2)

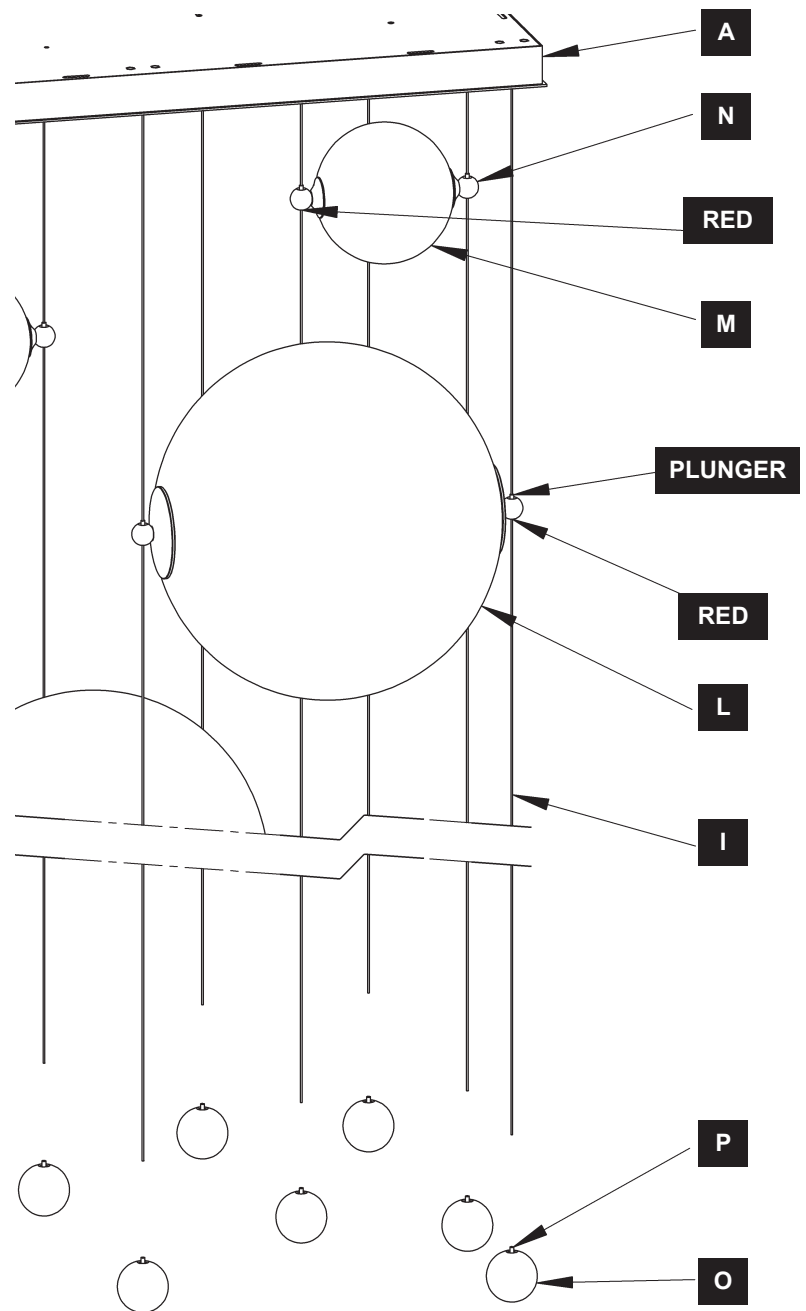
Abacus Square Pendant - 139051

Install Glass & Steel Balls *(Figure 3)*

1. Careful unpack both sizes of glass balls (L & M).
2. Glass grippers (N) are marked red on the bottom for (+).
3. Polarity of cables (I) are marked on canopy (A) with (+) and (-) labels. Red glass grippers (N) will always be on a (+) cable and the other side always on a (-) cable.
4. Slide glass balls (L & M), plunger end first, up appropriate cables (I). Repeat with remaining glass balls (L & M) and locate in desired orientation. See page 1 for Design Preference.

Note: Be sure red glass grippers are on a (+) cable.

5. If glass ball (L & M) needs to be lowered, push in on the plunger to release cable, hold in, and move glass ball to desired location, then release plunger.
6. Once glass ball (L & M) are in desired locations, cut cables (I) to desired heights.
7. Install steel balls (O) onto ends of cable (I) by pushing plunger end of ball gripper (P) onto cable (I).
8. Repeat for remaining steel balls (O).
9. Restore electricity at main breaker.



(Figure 3)

ASSEMBLY & INSTALLATION INSTRUCTIONS

A665

Abacus Square Pendant - 139051

IMPORTANT NOTES:

- LED glass modules are factory assembled. Do NOT attempt to disassemble Glass Ball Modules (L & M).
- Additional Glass Balls (L & M) can be ordered individually. Contact the dealer from which you purchased this product for more information.
- Due to electrical components included with this fixture, only certain combinations of additional glass modules can be added. Please carefully review the chart below before ordering additional modules.
- If more than the allowed glass modules are desired, please contact dealer about a custom fixture. Longer cables may be necessary for many additional modules.

Additional Modules	
Small	Large
1 – 11	0
0 – 8	1
0 – 7	2
0 – 5	3
0 – 3	4
0 – 1	5

If you need further assistance, or find that you are missing any parts, please contact the dealer from which you purchased this product. We hope you enjoy your fixture!

**** Hubbardton Forge will not be liable for injury or damage caused by improper installation, lamping or use of this fixture.***