

# Installation Instructions

For Sconce 20-4825 & 20-4825E

**B170**

Page 1 of 3

**CAUTION: FAILURE TO INSTALL THIS FIXTURE PROPERLY MAY RESULT IN SERIOUS PERSONAL INJURY OR DEATH AND PROPERTY DAMAGE. We recommend installation by a licensed electrician.**

This product must be installed in accordance with applicable installation code(s), by a person familiar with the construction and operation of the product and the hazards involved.\*

**Caution:** Do not exceed maximum wattage noted on fixture. Use only recommended bulbs with fixture.

**Please Note:** This fixture is designed to be mounted on a standard wall surface and may not be suitable for all applications. If installing in a non-wood frame application, we recommend consulting a qualified builder or electrician.

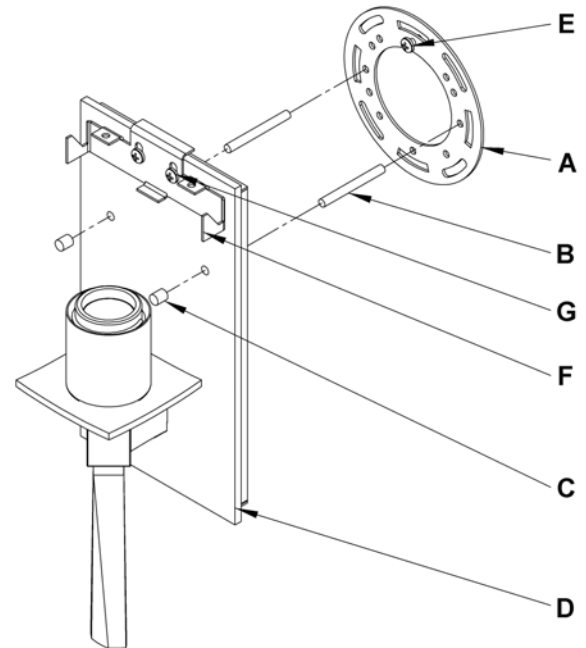
## **To Mount Fixture to Wall** (Figure 1)

### Component Parts

- A Crossbar
- B Threaded Stud (2)
- C Barrel Knob (2)
- D Fixture Assembly
- E Ground Screw
- F Bracket
- G 8-32 Screw (2)

**Caution: Be sure power is off at the main breaker box prior to installation.**

1. Carefully unpack the fixture from the carton.
2. Remove bracket (F) by loosening and removing the two 8-32 screws (G). Set to the side for later use.  
**Note:** This is only necessary for the shade option.
3. Using two machine screws (not provided), fasten the crossbar (A) to the electric box making sure that fixture mounting holes are level.  
**Note:** A new electric box comes with screws. When replacing a fixture, retain the existing screws for use with the new fixture.
4. Thread studs (B) into the appropriate holes in the crossbar (A). Adjust the studs to proper length to ensure the fixture will fit snugly to the wall.
5. Hold the fixture assembly (D) close to the wall and using suitable wire connectors, not provided, connect fixture wires to supply (white to white or ribbed and black to black or smooth). Connect all ground wires to ground screw.  
**Caution:** Make sure wire connectors are twisted on securely, and no bare wire is exposed.
6. Slide fixture assembly (D) over threaded studs (B) and push firmly to wall, making sure that no wires are pinched between fixture back and wall. Fasten with barrel knobs (C). Be sure threaded studs (B) are fully seated in the barrel knobs (C).
7. See instructions on next page to install glass or shade depending on option purchased.



(Figure 1)

(continued)

# Installation Instructions

For Sconce 20-4825 & 20-4825E

**B170**

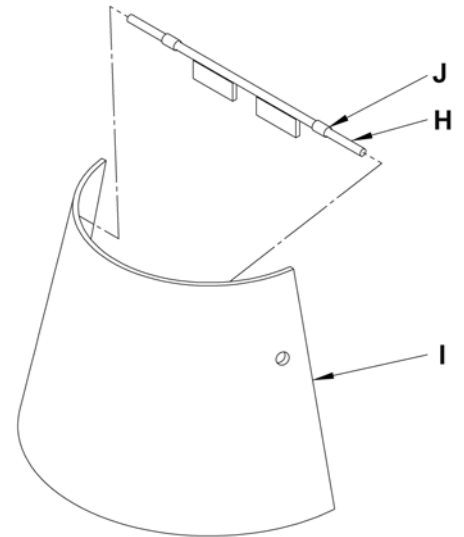
Page 2 of 3

## **To Install Glass** (Figures 2 & 3)

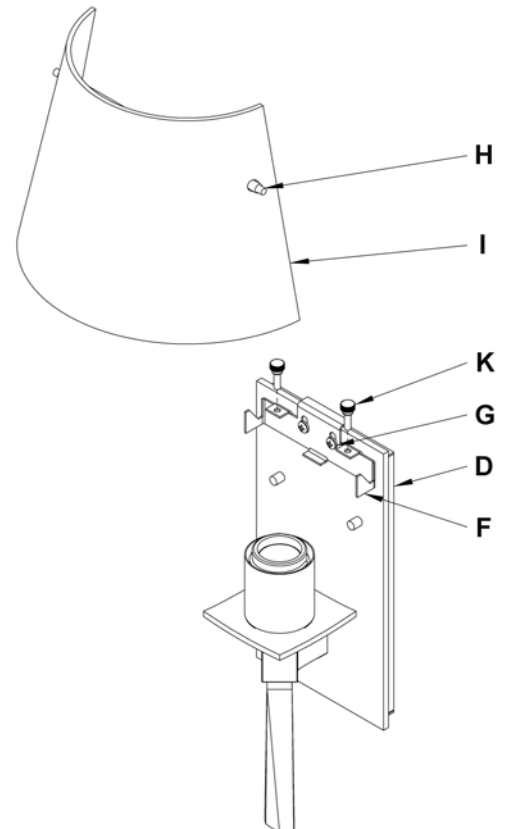
### Component Parts

- D Fixture Assembly
- F Bracket
- G 8-32 Screw (2)
- H Hanger Rod
- I Glass
- J Rubber tubing (2)
- K Thumb Screw (2)

1. Slide hanger rod (H) into holes in glass (I) from the inside.
2. Move rubber tubing (J) outward on rod to secure rod in glass, making sure the rod remains centered in the glass.
3. Install thumb screws (K) into bracket (F). Only a couple of threads engaged at this time.
4. Place glass (I) with hanger rod installed into bracket. Make sure tabs are pointing down. Some pressure is necessary to snap rod into bracket. Check glass for level and adjust as needed by loosening 8-32 screws (G) and moving bracket as needed. Once glass is level tighten both 8-32 screws (G).
5. Tighten thumb screws (K).
6. Install light bulb. (Fluorescent supplied with fixture)
7. Restore electricity at main breaker.



(Figure 2)



(Figure 3)

(continued)

# Installation Instructions

For Sconce 20-4825 & 20-4825E

**B170**

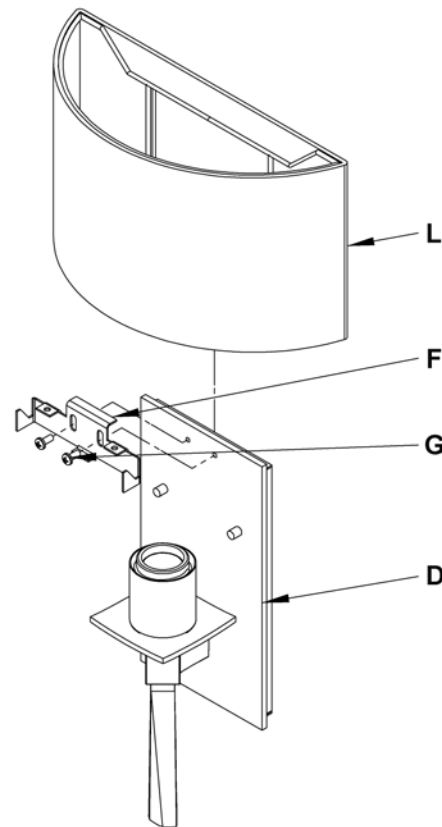
Page 3 of 3

## **To Install Shade** (Figure 4)

### Component Parts

- D Fixture Assembly
- F Bracket
- G 8-32 Screw (2)
- L Shade

1. Slip shade (L) onto fixture assembly (D) so it rests against wall.
2. Attach bracket (F) to fixture assembly (D) with two 8-32 screws (G).
3. Install light bulb. (Fluorescent supplied with fixture)
4. Restore electricity at main breaker.



(Figure 4)

*If you need further assistance, or find that you are missing any parts, please contact the dealer from which you purchased this product. We hope you enjoy your fixture!*

\* Hubbardton Forge will not be liable for injury or damage caused by improper installation, lamping or use of this fixture.