

# Installation Instructions

For Axis Medium Semi-Flush 12-6403

**A242**

Page 1 of 2

**CAUTION: FAILURE TO INSTALL THIS FIXTURE PROPERLY MAY RESULT IN SERIOUS PERSONAL INJURY OR DEATH AND PROPERTY DAMAGE. We recommend installation by a licensed electrician.**

This product must be installed in accordance with applicable installation code(s), by a person familiar with the construction and operation of the product and the hazards involved.\*

**Caution:** Do not exceed maximum wattage noted on fixture. Use only recommended bulbs with fixture.

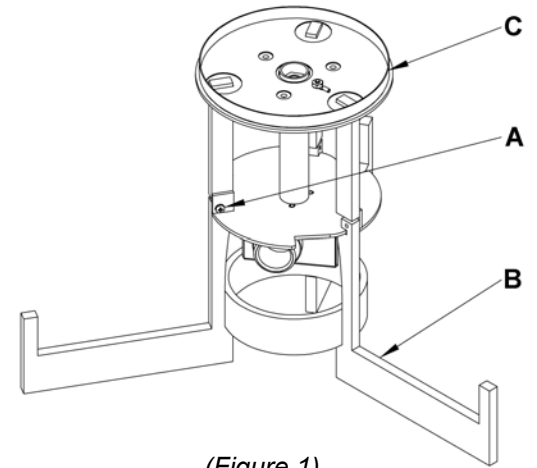
**Please Note:** After installation extra hardware and accessories are possible due to our kits are used on multiple products and options.

## Disassemble Fixture (Figure 1)

### Component Parts

- A Screws (3)
- B Lower Assembly
- C Upper Assembly

1. Carefully unpack the fixture from the carton.
2. Remove three screws (A) from upper assembly (C).
3. Turn lower assembly counter clockwise until both assemblies come apart. Save all parts for later use.



(Figure 1)

## To Install Fixture (Figure 2)

### Component Parts

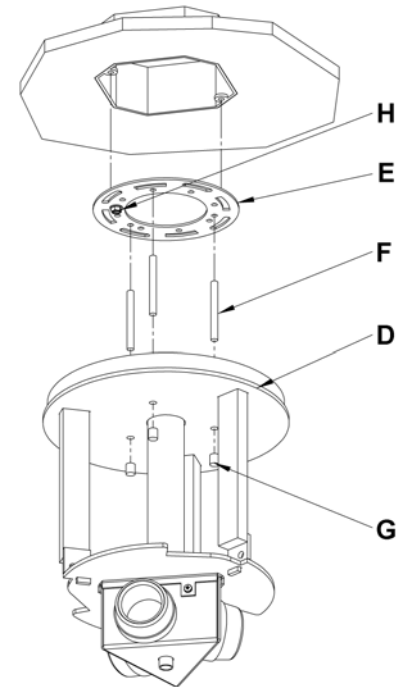
- D Canopy
- E Crossbar
- F Threaded Stud (3)
- G Barrel Knobs (3)
- H Ground Screw

**Caution: Be sure power is off at the main breaker box prior to installation**

1. Thread studs (F) through appropriate holes in crossbar (E) to match hole centers in canopy (D). Move ground screw (H) to another available threaded hole if necessary.
2. Using two machine screws (not provided) fasten crossbar (E) to the electric box using outer oval holes to orient fixture to desired hanging position.

**Note:** A new electric box comes with screws. When replacing an existing fixture, retain the screws for use with the new fixture.

3. Using suitable wire connectors (not provided); connect fixture wires to supply wires (white to white and black to black). Connect all ground wires to green ground screw (H).  
**Caution:** Make sure wire connectors are twisted on securely, and no bare wire is exposed.
4. Slide canopy (D) over threaded studs and push firmly to ceiling, making sure that no wires are pinched between fixture canopy and ceiling. Fasten with barrel knobs (G). Be sure studs (F) are fully seated in barrel knobs (G).



(Figure 2)

(continued)

# Installation Instructions

For Axis Medium Semi-Flush 12-6403

**A242**

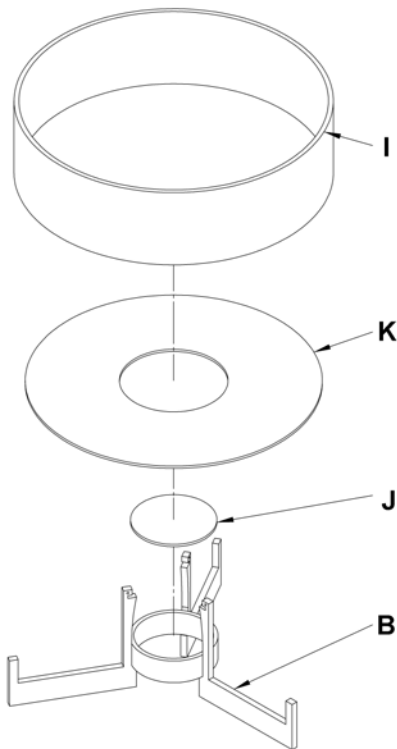
Page 2 of 2

## **To Complete Assembly** (Figures 3 & 4)

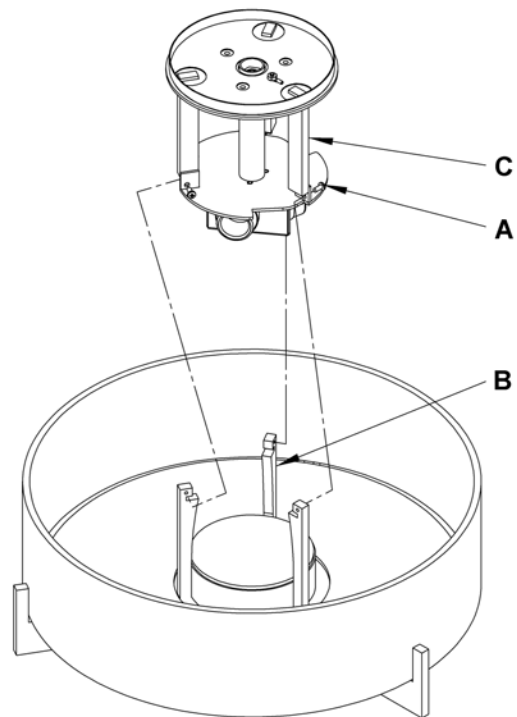
### Component Parts

- A Screws (3)
- B Lower Assembly
- C Upper Assembly
- I Outer Glass
- J Inner Diffuser
- K Diffuser

1. Install diffuser (K) on lower assembly (B) so it rests on the three legs.
2. Install inner diffuser (J) and outer glass (I) onto lower assembly (B).
3. Raise lower assembly (B) with glass installed aligning so vertical bars pass through openings in the upper assembly (C) as shown in Figure 4.
4. Turn lower assembly (B) clockwise until it stops in the locked position.
5. Install the three screws (A) on tab side of upper bar and tighten.
6. Restore electricity at main breaker.



(Figure 3)



(Figure 4)

*If you need further assistance, or find that you are missing any parts, please contact the dealer from which you purchased this product. We hope you enjoy your fixture!*

\* Hubbardton Forge will not be liable for injury or damage caused by improper installation, lamping or use of this fixture.