

Assembly & Installation Instructions

A365

Bento LED Pendant 138650D

Page 1 of 6

CAUTION: FAILURE TO INSTALL THIS FIXTURE PROPERLY MAY RESULT IN SERIOUS PERSONAL INJURY OR DEATH AND PROPERTY DAMAGE. We recommend installation by a licensed electrician.

This product must be installed in accordance with applicable installation code(s), by a person familiar with the construction and operation of the product and the hazards involved.*

Caution: Do not exceed maximum wattage noted on fixture. Use only recommended bulbs with fixture.

Note: Support Cable also acts as Low Voltage Supply Cable.

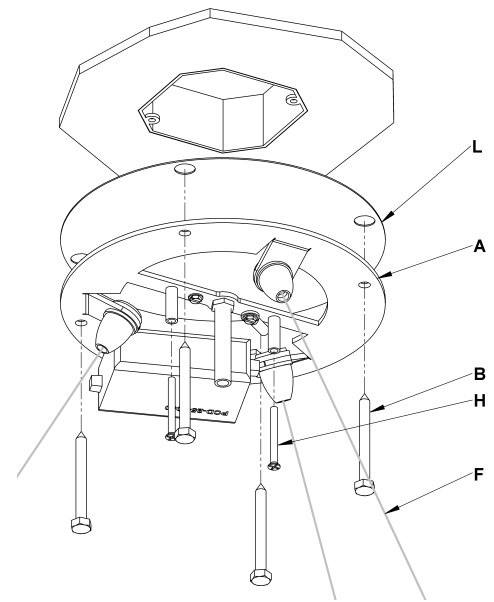
To Install to Ceiling (Figures 1 thru 5)

Component Part

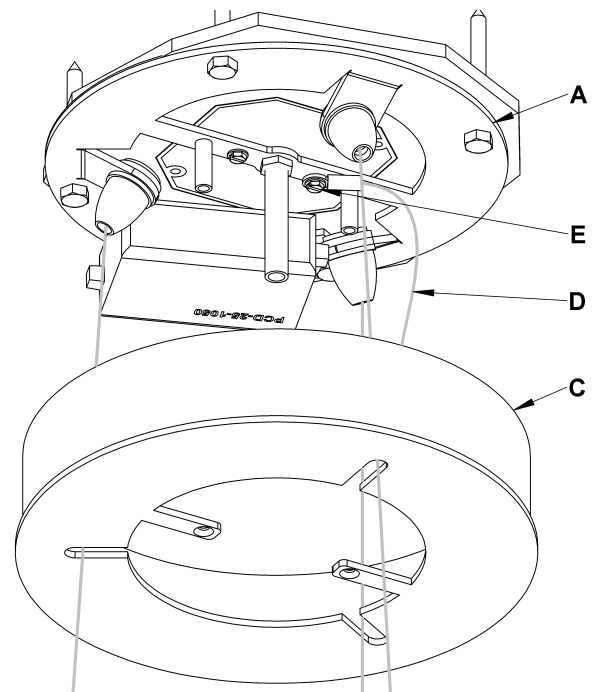
A Ceiling Bracket	G Cable Gripper (3)
B Lag Screw (4)	H Flat Head Screws (2)
C Canopy	I Canopy Nipple
D Canopy Support Cable	J Canopy Cover
E #8 Screw	K Cap
F Support/supply Cable (3)	L Insulating Barrier

Caution: Be sure power is off at the main breaker box prior to installation.

1. Carefully unpack the fixture from the carton. **Note:** Flat head screws (H) will need to be removed from ceiling bracket (A) prior to installation of the canopy (C). The screws are shipped installed. Remove screws and retain for step 13.
2. Place insulating barrier (L) between ceiling bracket and ceiling and align holes.
3. Using the supplied lag screws or other fasteners suitable for the mounting surface (B) attach ceiling bracket (A) to a structural member in the ceiling, centering the crossbar over the outlet box (Figure 1). There should be fasteners in at least two of the four holes provided. Lag screws have been supplied with your fixture; however, different materials and/or construction methods may require different fasteners. If in doubt, contact a qualified electrician. **Do not** attach crossbar directly to outlet box.
4. Attach canopy support cable (D) to mounting bracket using a #8 screw (E). Temporarily suspend canopy using cable (Figure 2). #8 screw (E) ships installed, it will need to be removed prior to installation of the support cable (D). **Caution:** The cable is intended to temporarily suspend the canopy to help with fixture installation.
5. Using suitable wire connectors (not provided) connect driver wires marked 'supply' to supply wires (white to white, black to black). Connect all ground wires. **Caution:** Make sure wire connectors are twisted on securely, and no bare wire is exposed.
6. Follow instructions below to assemble fixture.



(Figure 1)



(Figure 2)

(continued)

Assembly & Installation Instructions

Bento LED Pendant 138650D

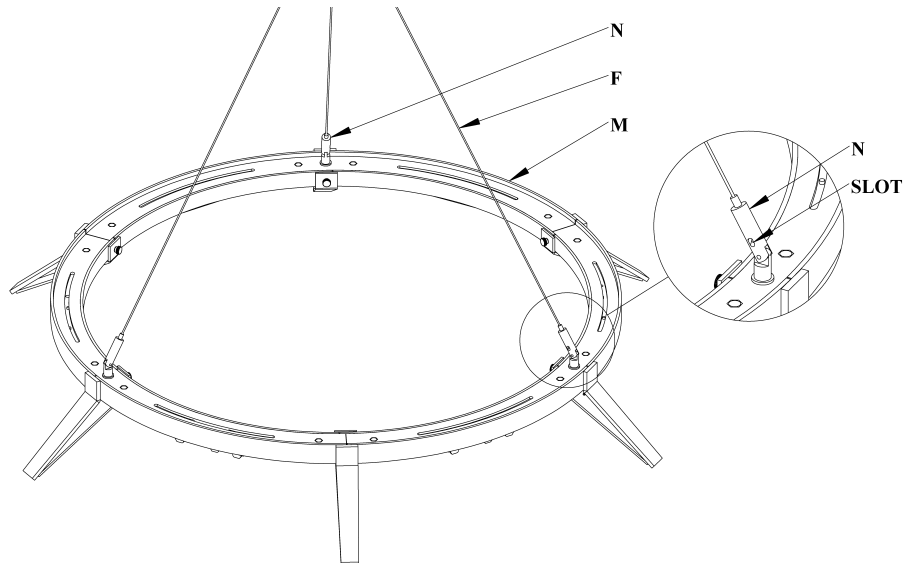
A365

Page 2 of 6

To Assemble Fixture (Figure 3)

Component Parts

- A Ceiling Bracket
- C Canopy
- E #8 Screw
- F Support Cable (3)
- H Flat Head Screws (2)
- M Fixture
- N Gripper (3)
- O Canopy Nipple
- P Canopy Cover
- Q Threaded Cap



(Figure 3)

until correct
of

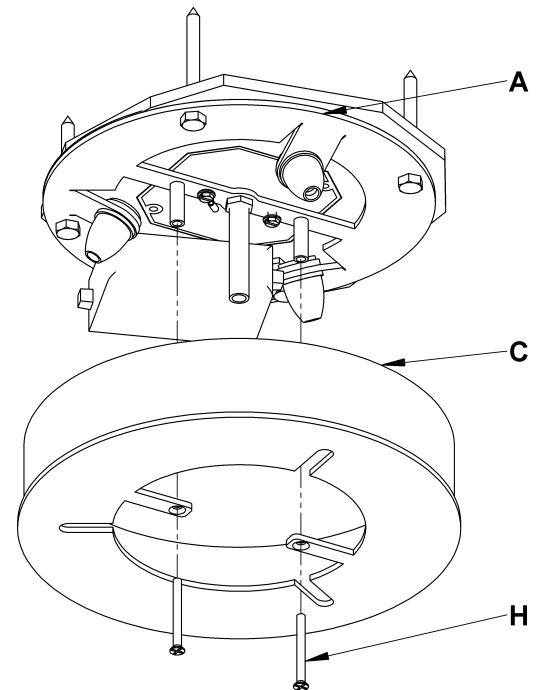
1. Align (+) and (-) labels on fixture (M) with (+) and (-) labels on canopy.
2. Insert cable (F) into gripper (N) until cable sticks through the slot in the side of the gripper (N).
3. Repeat with remaining cables (F).
4. Continue pulling cables (F) through grippers (N) until correct fixture height is achieved. Adjust height fixture (M), making sure to keep fixture level.

Note: If fixture needs to be lowered, push down on top of canopy gripper (N) to release cable.

5. Once desired height of the fixture (M) is achieved, cut off the excess cable (F) as close to the gripper (N) as possible.

Caution: Once excess cable is cut, fixture cannot be lowered.

6. Remove canopy support cable (D) by removing #8 screw (E) from ceiling bracket (A) and #8 nut from canopy (C) (discard cable).
7. Raise the canopy (C) and attach to ceiling bracket (A) with two flat head screws (H) (Figure 4).
8. Slip canopy cover (P) onto canopy nipple (O) (Figure 5, next page).
9. Thread cap (Q) on to canopy nipple (O). Tighten against canopy cover (P) until snug.
10. Refer to instructions following to assemble and install shade.
11. Restore electricity at main breaker.



(Figure 4)

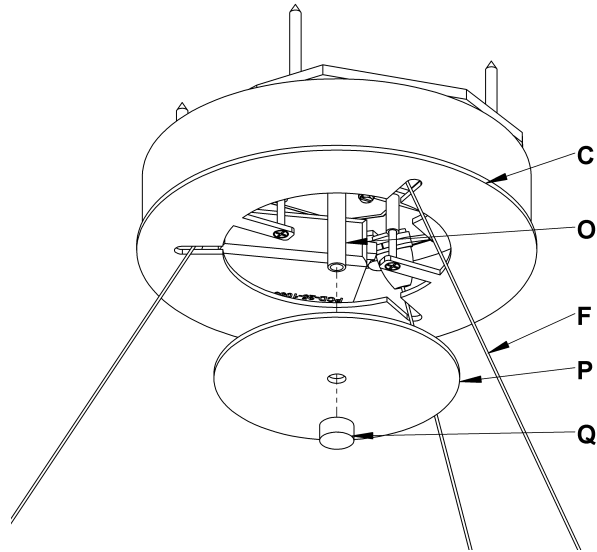
(continued)

Assemble Shade (Figure 6)

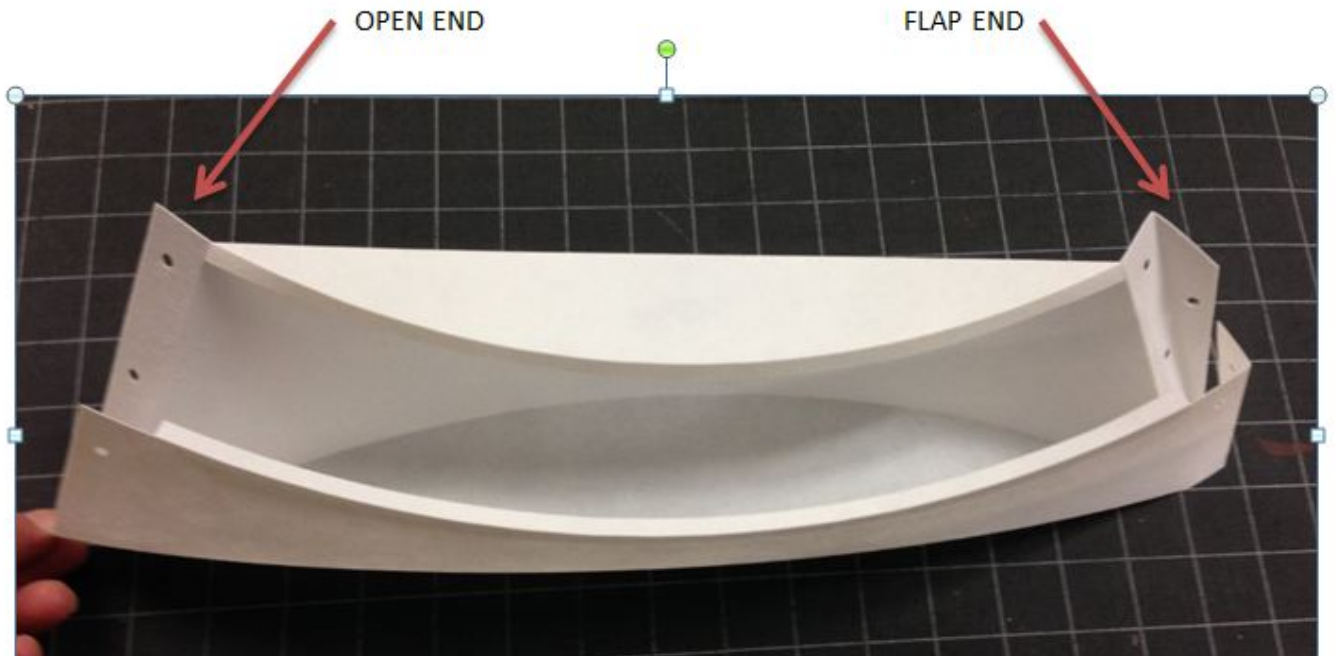
Component Parts

- R Shade (6)
- S Plastic Rivets.

1. Remove shade from plastic bag.
2. Locate 'Flap End' and "Open End" of shade. (Figure 6)
3. Secure "Flap End" of shade by pressing Plastic Rivets into holes in shade. (Figure 7 & 8)
4. Repeat steps 1-3 for all 6 shades.
5. Starting with two shades, place 'Open end' of one shade outside the 'Flap End' of the second shade. (Figure 9) Secure two shades together in 3 places using plastic rivets. (Figure 10 & 11) Continue attaching the additional shades until all shades are attached. (Figure 12)



(Figure 5)



(Figure 6)

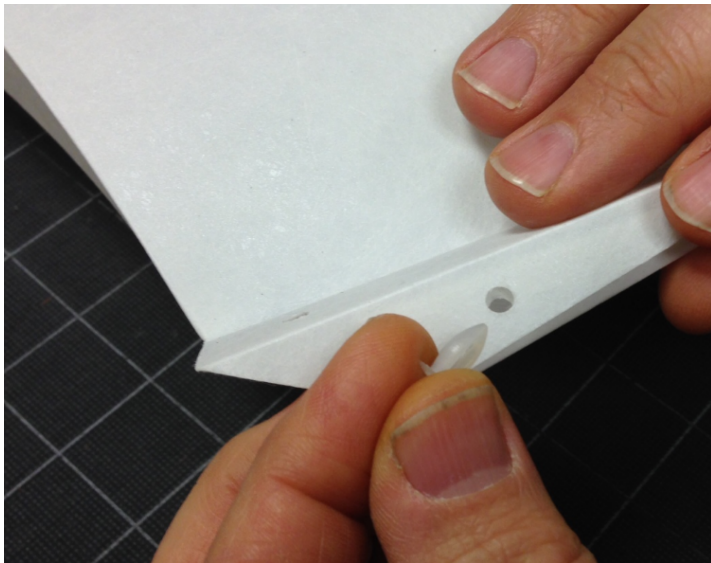
(continued)

Assembly & Installation Instructions

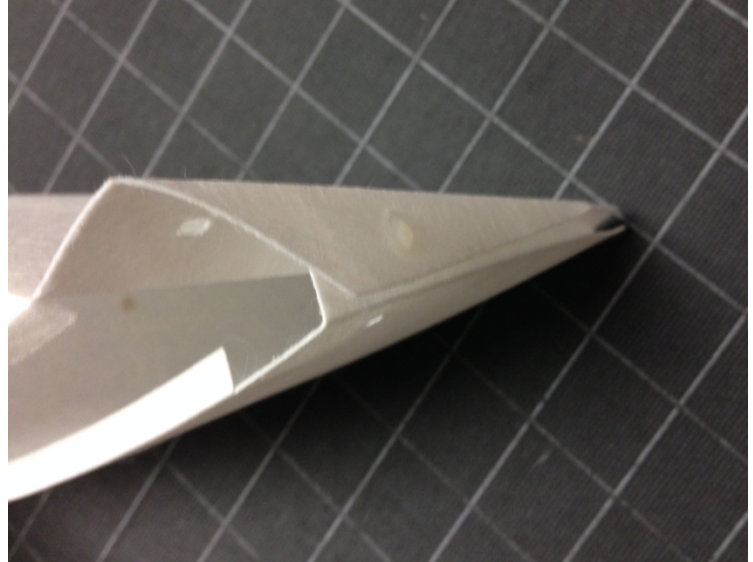
Bento LED Pendant 138650D

A365

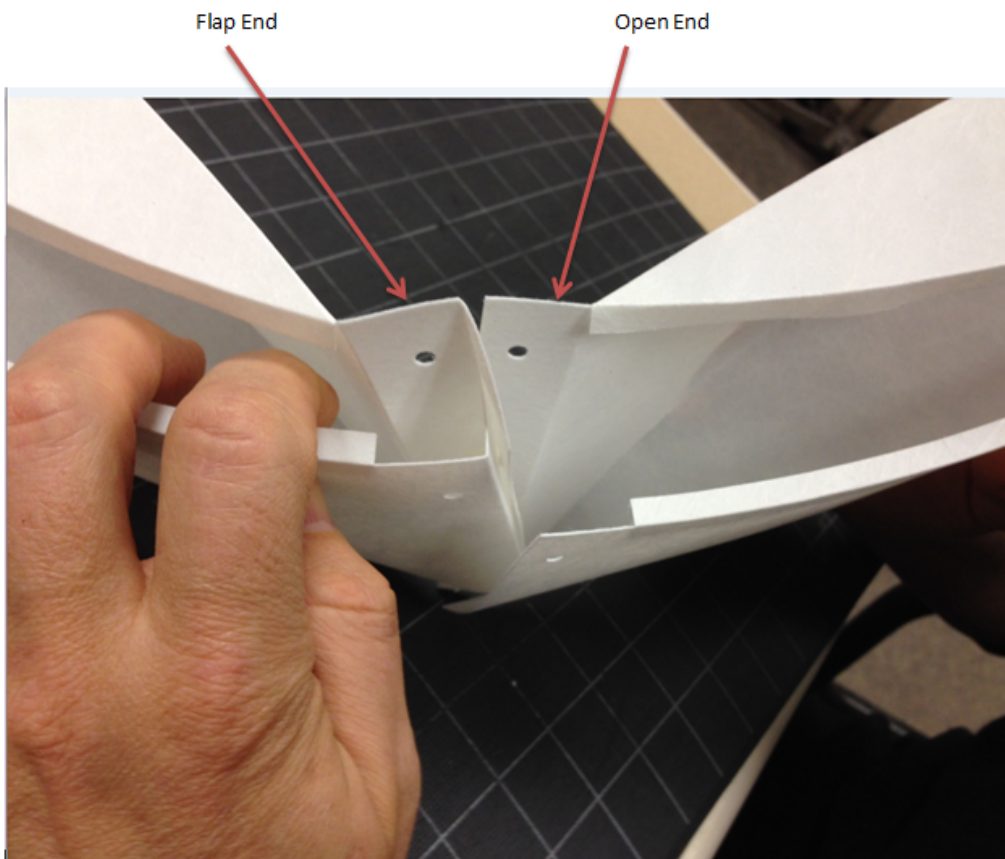
Page 4 of 6



(Figure 7)



(Figure 8)



(Figure 9)

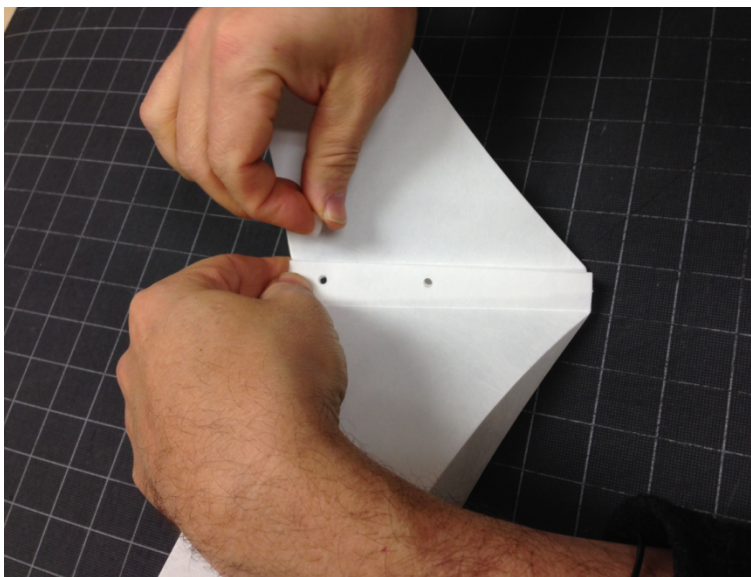
(continued)

Assembly & Installation Instructions

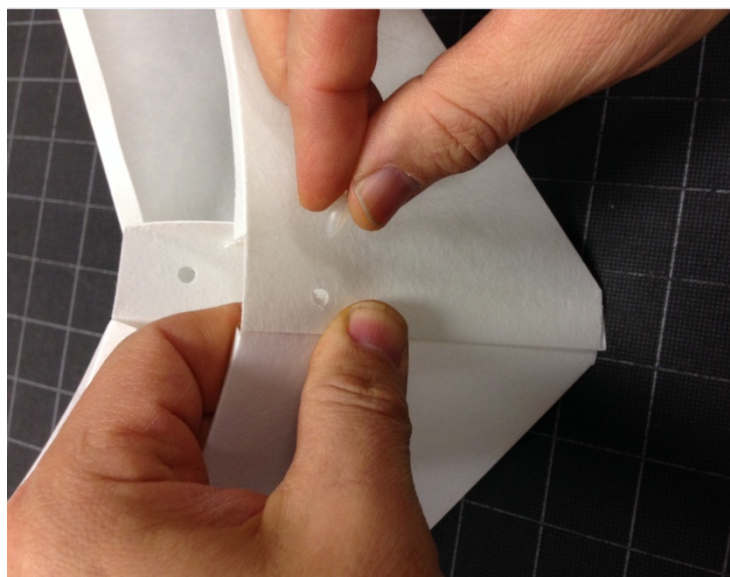
Bento LED Pendant 138650D

A365

Page 5 of 6



(Figure 10)



(Figure 11)



(Figure 12)

(continued)

Assembly & Installation Instructions

A365

Bento LED Pendant 138650D

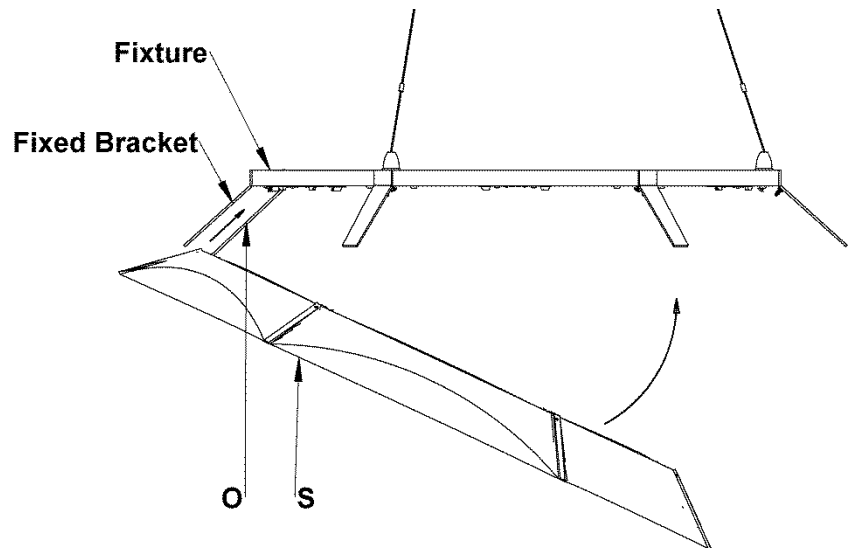
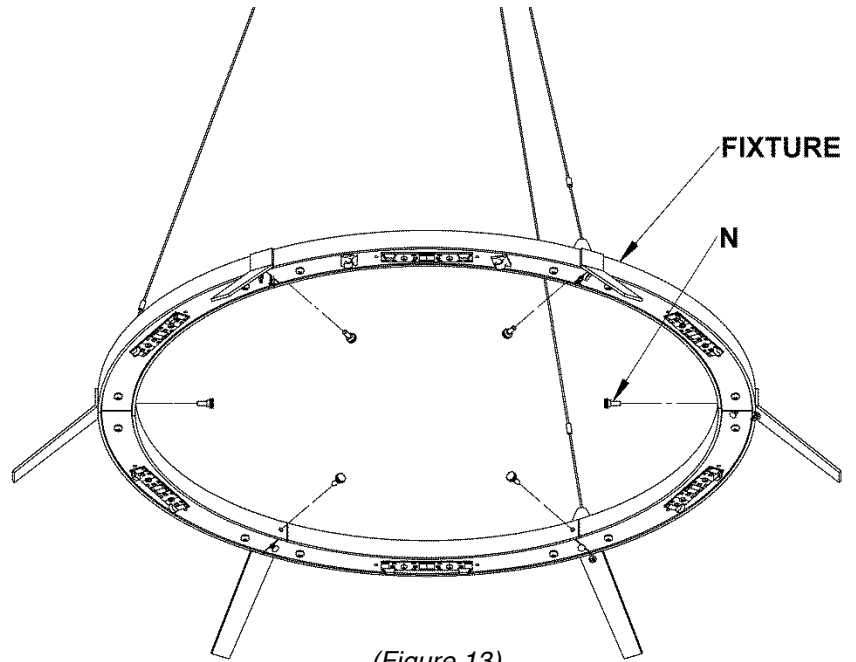
Page 6 of 6

Install Shade (Figure 13)

Component Parts

- S Shade Assy
- N Thumb Screw (6)
- O Shade Bracket (6)

1. Remove Thumb screws (N) from fixture and set aside. (Figure 13)
2. Loosely install one Shade Bracket (O) (Figure 14).
3. Slip Shade assembly (S) in between fixed bracket and Shade Bracket (O)
4. Rotate Shade assembly into place and install second Shade bracket (O) opposite from the loosely installed Shade Bracket (Figure 14)
5. Loosely tighten first and second Shade Bracket (O).
6. Install the remainder of Shade Brackets (O) loosely.
7. When all Shade Brackets (O) are installed tighten each one while pushing shade up against fixture.
8. Restore Electricity at main breaker.



If you need further assistance, or find that you are missing any parts, please contact the dealer from which you purchased this product. We hope you enjoy your fixture!

* Hubbardton Forge will not be liable for injury or damage caused by improper installation, lamping or use of this fixture.