

# Installation Instructions

**B122**

Forged Leaf and Stem Sconce 20-5770L & 20-5770R

Page 1 of 3

**CAUTION: FAILURE TO INSTALL THIS FIXTURE PROPERLY MAY RESULT IN SERIOUS PERSONAL INJURY OR DEATH AND PROPERTY DAMAGE. We recommend installation by a licensed electrician.**

This product must be installed in accordance with applicable installation code(s), by a person familiar with the construction and operation of the product and the hazards involved.\*

**Caution:** Do not exceed maximum wattage noted on fixture. Use only recommended bulbs with fixture.

**Caution:** This fixture is designed to be mounted on a standard wall surface and may not be suitable for all applications. If installing in a non-wood frame application, we recommend consulting a qualified builder or electrician.

**Please Note:** The hardware provided is intended for use in wood frame construction and may not be suitable for all applications. If installing in non-wood frame applications, please consult a qualified builder to determine and obtain the appropriate fasteners.

## To Install Fixture (Figure 1)

### Component Parts

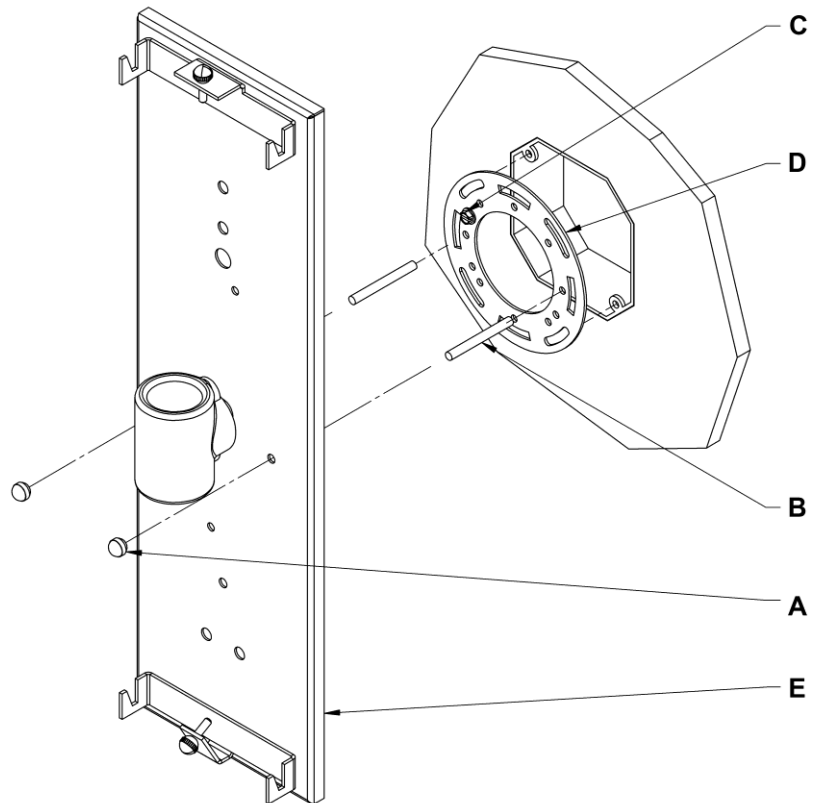
- A Knurled Balls (2)
- B Threaded Studs (2)
- C Ground Screw
- D Crossbar
- E Fixture

**Caution: Be sure power is off at the main breaker box prior to installation.**

1. Carefully unpack the fixture from the carton.
2. Using two machine screws (not provided), fasten the crossbar (D) to the electric box (see illustration), making sure that fixture mounting holes are level.

**Note:** A new electric box comes with screws. When replacing a fixture, retain the existing screws for use with the new fixture.

3. Thread studs (B) into the appropriate holes in the crossbar (D). Adjust the studs to proper length to ensure the fixture will fit snugly to the wall.
  4. Using suitable wire connectors (not provided) connect fixture wires to supply wires (white to white and black to black). If the fixture is wired with twin lead lamp cord, connect white to ribbed side of the fixtures cord, black to smooth side. Run a pigtail lead from crossbar ground screw (C) to the junction box and connect all ground wires (bare copper or green to bare copper or green).
- Caution:** Make sure wire connectors are twisted on securely, and no bare wire is exposed.
5. Slide fixture assembly (E) over threaded studs (B) and push firmly to wall, making sure that no wires are pinched between fixture back and wall. Fasten with knurled balls (A). Be sure threaded studs (B) are fully seated in the knurled balls (A).
  6. Install light bulb(s) (not provided).
  7. Install glass (see instructions below).



(Figure 1)

(continued)

# Installation Instructions

Forged Leaf and Stem Sconce 20-5770L & 20-5770R

**B122**

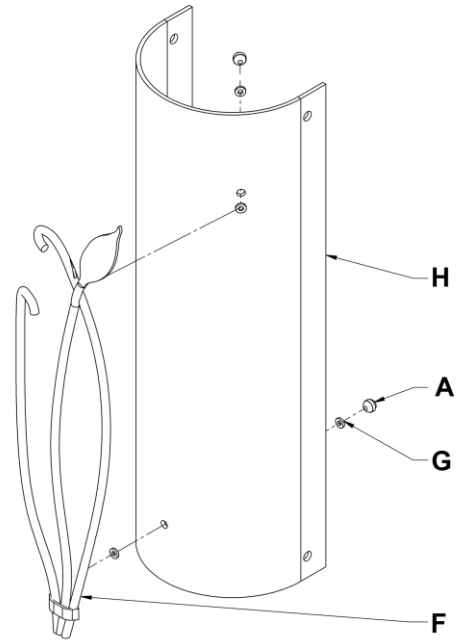
Page 2 of 3

## To Attach Decorative Assembly to Glass (Figure 2)

### Component Parts

- A Knurled Balls (2)
- F Decorative Assembly
- G Rubber Washers (4)
- H Glass

1. Remove (1) knurled ball (A) and rubber washer (G) from each stud on the decorative assembly (F). *Parts are shipped installed.*
2. Attach decorative assembly (F) to glass (H) by sliding studs on decorative assembly (F) through holes in the glass (H). Apply rubber washers (G) and then tighten with knurled balls (A). *Be sure not to over tighten.*



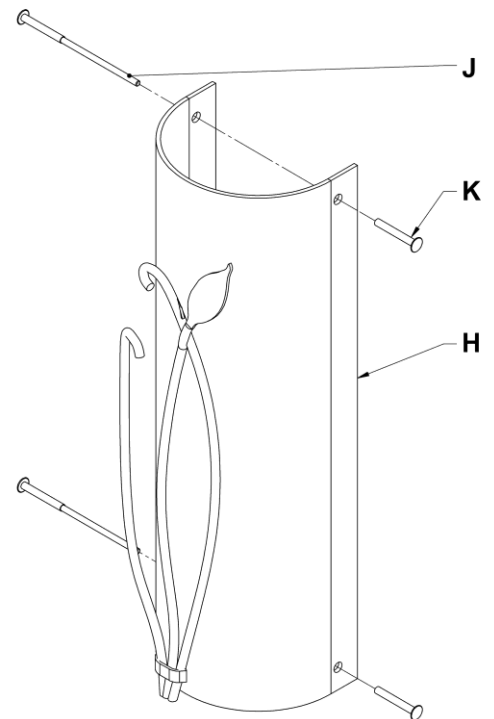
(Figure 2)

## To Assemble & Install Glass (Figures 3 & 4)

### Component Parts

- E Fixture
- H Glass
- I Ball Headed Screws
- J Threaded Studs (2)
- K Binding Screws (2)

1. Assemble threaded studs (J) into glass by sliding threaded stud (J) into a hole in the glass and threading it into a binding screw (K) (Figure 3).
2. Attach glass to fixture by sliding threaded studs (J) in glass into notches in fixture (E) (Figure 4).
3. Remove ball headed screw (I) from fixture (E).
4. Secure glass by inserting ball headed screw (I) into threaded hole in bottom bracket of fixture (E).



(Figure 3)

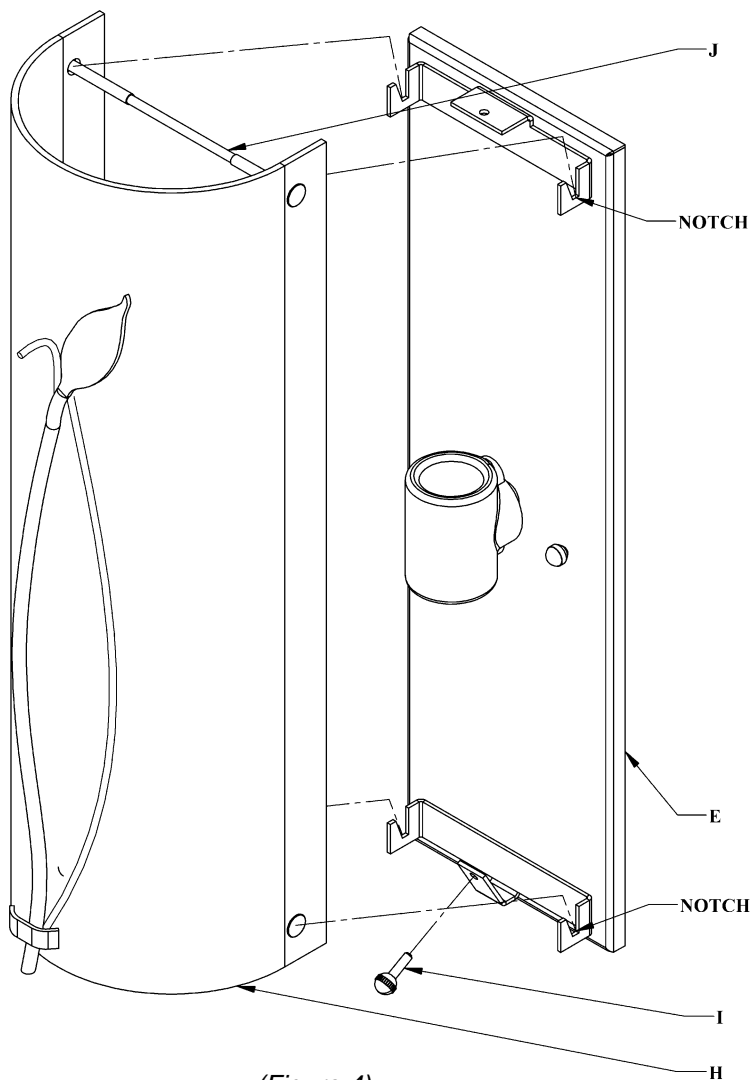
(continued)

# Installation Instructions

Forged Leaf and Stem Sconce 20-5770L & 20-5770R

**B122**

Page 3 of 3



(Figure 4)

*If you need further assistance, or find that you are missing any parts, please contact the dealer from which you purchased this product. We hope you enjoy your fixture!*

\* Hubbardton Forge will not be liable for injury or damage caused by improper installation, lamping or use of this fixture.