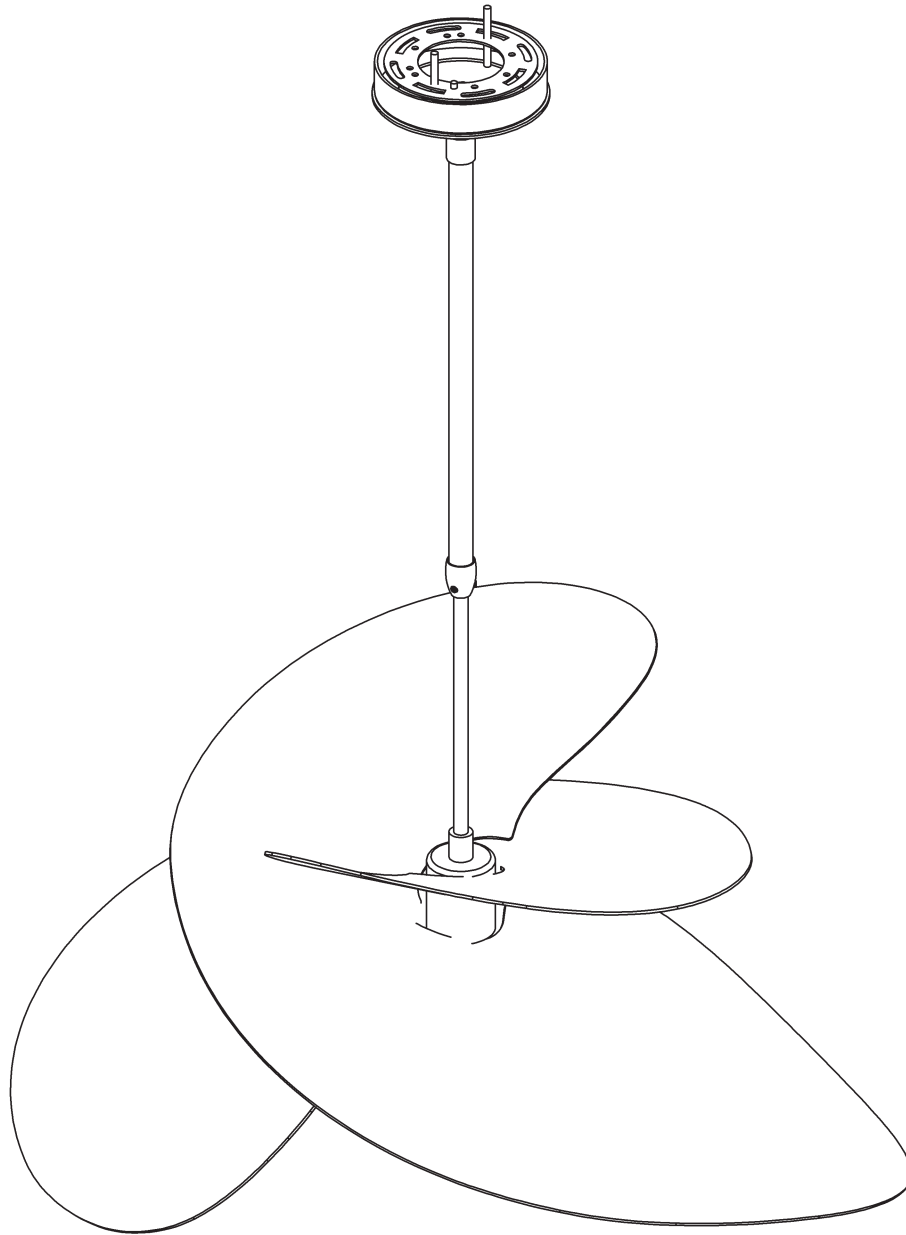


ASSEMBLY & INSTALLATION INSTRUCTIONS

A633

Hibiscus Outdoor Pendant 364955



Component Parts

- A Fixture**
- B Fixture Pipe**
- C Fixture Coupling**
- D Crossbar**
- E Threaded Stud (2)**
- F Ground Screw**
- G Canopy Pipe Assembly**
- H Clutch**
- I Set Screw (3)**
- J Knurled Ball (2)**
- K Socket**
- L Bulb (Not Included)**



ASSEMBLY & INSTALLATION INSTRUCTIONS

A633

Hibiscus Outdoor Pendant 364955

CAUTION: FAILURE TO INSTALL THIS FIXTURE PROPERLY MAY RESULT IN SERIOUS PERSONAL INJURY OR DEATH AND PROPERTY DAMAGE. We recommend installation by a licensed electrician. This product must be installed in accordance with applicable installation code(s), by a person familiar with the construction and operation of the product and the hazards involved.*

Caution: Do not exceed maximum wattage noted on fixture. Use only recommended bulbs with fixture.

Caution: Damp location outdoor hanging fixtures are designed for use in covered spaces such as porches protected from prolonged exposure to water and wind. If installing in locations subject to wind the use of supplementary chains, cables, or similar restraints may be necessary to protect against swinging and twisting. If in doubt consult a qualified installer.

Please Note: After installation extra hardware and accessories are possible due to our kits are used on multiple products and options.

To Install Fixture (Figures 1 & 2)

CAUTION: BE SURE POWER IS OFF AT THE MAIN BREAKER BOX PRIOR TO INSTALLATION.

1. Carefully unpack fixture (A).
2. Apply a drop of the supplied thread locking compound to internal threads of fixture coupling (C) and screw fixture pipe (B) into fixture coupling, being careful not to twist the wires.
Note: Application of the thread locking compound is necessary to prevent the stem from loosening during regular maintenance and cleaning of the fixture. Be certain to apply the compound.
3. Slip wires from fixture pipe (B) through canopy pipe assembly (G).
4. Slide canopy pipe assembly (G) down fixture pipe (B) until desired fixture height is reached. It may be necessary to loosen set screws (I). Tighten all 3 set screws (I) in clutch (H) evenly with hex wrench provided to lock the height.
5. Locate crossbar (D). Thread threaded studs (E) into appropriate locations that align with the holes in the canopy pipe assembly (G). Threaded studs (E) should be threaded into the same side of the crossbar (F) as the ground screw (F).
6. Using two machine screws (not provided), fasten the crossbar (D) to the electrical box with threaded studs (E) pointing downward.

Note: A new electric box comes with screws. When replacing a fixture, retain the existing screws for use with the new fixture.

7. Attach a pigtail lead to ground screw (F). Hold fixture close to ceiling; using suitable wire connectors (not provided) connect fixture wires to supply wires (white to white and black to black). Connect all ground wires (tinned copper or green to tinned copper or green).

CAUTION: MAKE SURE WIRE CONNECTORS ARE TWISTED ON SECURELY AND NO BARE WIRE IS EXPOSED.

8. Slide canopy pipe assembly (G) over threaded studs (E) and push firmly to ceiling. Fasten with knurled balls (J). Be sure studs (E) are fully seated in the knurled balls (J).

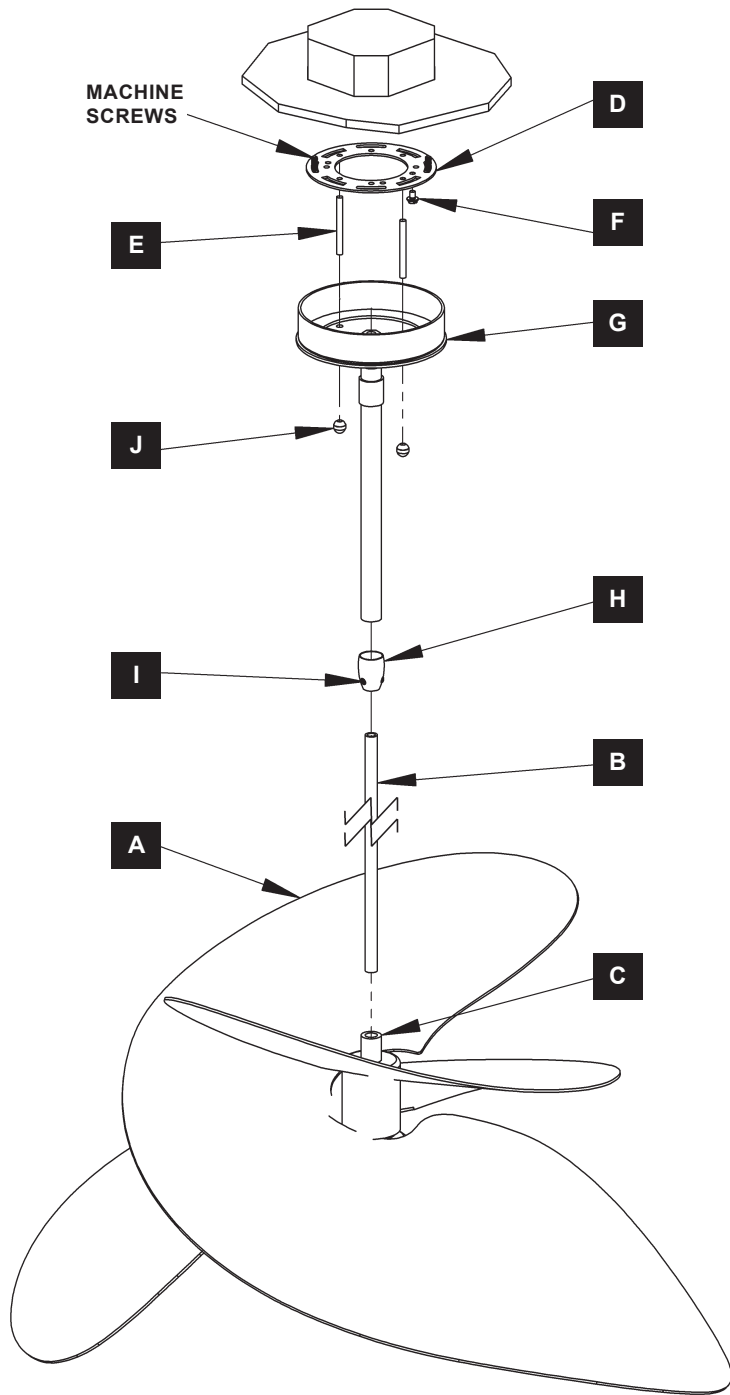
CAUTION: BE SURE NO WIRES ARE PINCHED BETWEEN THE CANOPY AND THE CEILING.

9. Install bulb (L - not included) into socket (K).
10. Restore electricity at main breaker.

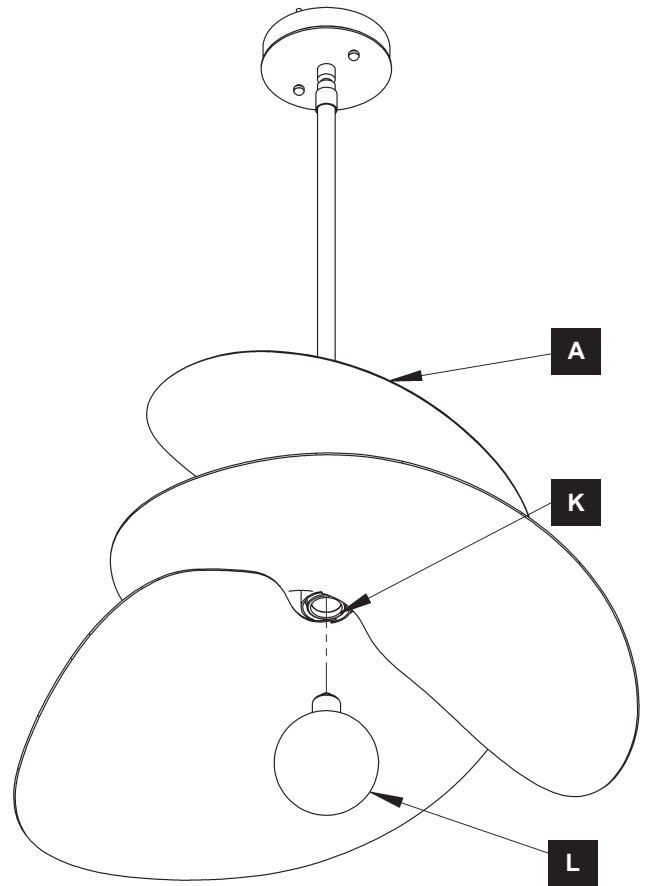
ASSEMBLY & INSTALLATION INSTRUCTIONS

A633

Hibiscus Outdoor Pendant 364955



(Figure 1)



(Figure 2)

If you need further assistance, or find that you are missing any parts, please contact the dealer from which you purchased this product. We hope you enjoy your fixture!

*** Hubbardton Forge will not be liable for injury or damage caused by improper installation, lamping or use of this fixture.**

HF HUBBARDTON FORGE.

MODERN AMERICAN BLACKSMITHS | FINE, HAND CRAFTED LIGHTING
CASTLETON, VERMONT USA | HUBBARDTONFORGE.COM