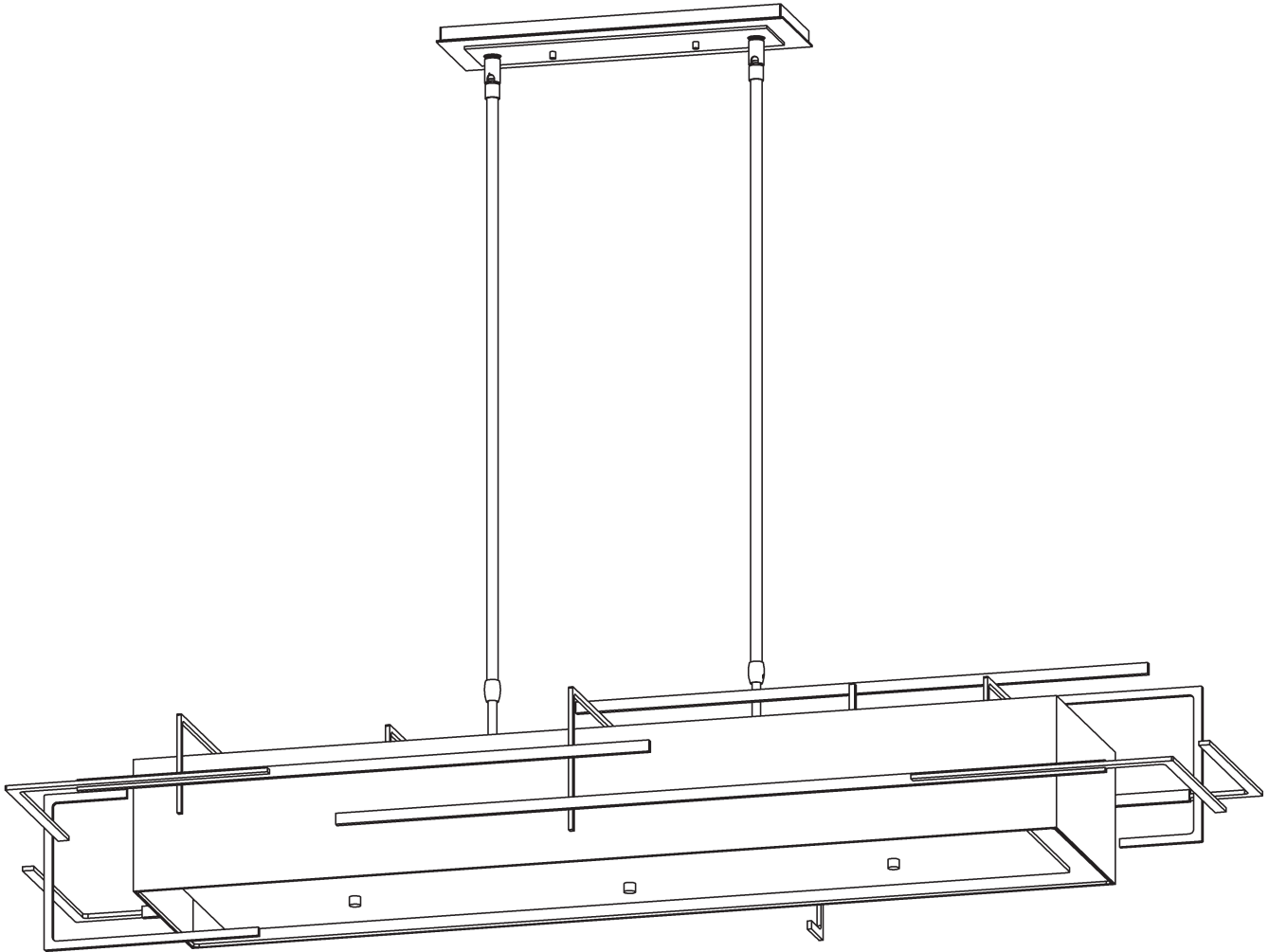


# ASSEMBLY & INSTALLATION INSTRUCTIONS

136390 Etch Pendant

A643



HUBBARDTON FORGE.

MODERN AMERICAN BLACKSMITHS | FINE, HAND CRAFTED LIGHTING  
CASTLETON, VERMONT USA | HUBBARDTONFORGE.COM

**Component Parts**

<b>A</b>	<b>Fixture Pipe (2)</b>	<b>T</b>	<b>Socket</b>
<b>B</b>	<b>Fixture Coupling (2)</b>	<b>U</b>	<b>Shade</b>
<b>C</b>	<b>Hex Nipple (2)</b>	<b>V</b>	<b>Thumb Screw (2)</b>
<b>D</b>	<b>Lock Washer (2)</b>	<b>W</b>	<b>Diffuser</b>
<b>E</b>	<b>Swivel (2)</b>	<b>X</b>	<b>Diffuser Stud (3)</b>
<b>F</b>	<b>Crossbar</b>	<b>Y</b>	<b>Rubber Washer (3)</b>
<b>G</b>	<b>Canopy Pipe (2)</b>	<b>Z</b>	<b>Knob (3)</b>
<b>H</b>	<b>Ceiling Bracket</b>		
<b>I</b>	<b>Threaded Stud (2)</b>		
<b>J</b>	<b>Canopy</b>		
<b>K</b>	<b>Fixture</b>		
<b>L</b>	<b>#8 Screw (2)</b>		
<b>M</b>	<b>Anchor (2)</b>		
<b>N</b>	<b>#10 Screw (2)</b>		
<b>O</b>	<b>Clutch (2)</b>		
<b>P</b>	<b>Plastic Clutch Sleeve (2)</b>		
<b>Q</b>	<b>Set Screw (2)</b>		
<b>R</b>	<b>Barrel Knob (5)</b>		
<b>S</b>	<b>Ground Screw</b>		

# ASSEMBLY & INSTALLATION INSTRUCTIONS

A643

136390 Etch Pendant

**CAUTION: FAILURE TO INSTALL THIS FIXTURE PROPERLY MAY RESULT IN SERIOUS PERSONAL INJURY OR DEATH AND PROPERTY DAMAGE.** We recommend installation by a licensed electrician. This product must be installed in accordance with applicable installation code(s), by a person familiar with the construction and operation of the product and the hazards involved.\*

**Caution:** Do not exceed maximum wattage noted on fixture. Use only recommended bulbs with fixture.

Please Note: After installation extra hardware and accessories are possible; our kits are used on multiple products.

## To Assemble Fixture (Figures 1 - 4)

**CAUTION: BE SURE POWER IS OFF AT THE MAIN BREAKER BOX PRIOR TO INSTALLATION.**

1. Carefully unpack the fixture from the carton.
2. Apply a drop of the supplied thread locking compound to the internal threads of the fixture coupling (B) and screw in the fixture pipe (A), being careful not to twist the wires.

**Note:** Application of the thread locking compound is necessary to prevent the stem from loosening during regular maintenance and cleaning of the fixture. Be certain to apply the compound.

3. Slide canopy (J) over fixture pipes (A) and allow it to rest on the fixture (K). Set the fixture aside for now.
4. Locate the ceiling bracket (H) and the crossbar (F). Attach the crossbar (F) to the ceiling bracket (H) using 2 #8 screws (L).
5. Place the ceiling bracket (H) and crossbar (F) over the electrical box. Orient to desired location and line up holes in crossbar with holes in electrical box. With a pencil, mark the location of all the mounting holes in the ceiling bracket on the ceiling. Set bracket and crossbar aside.
6. Drill 1/4" holes in the locations marked on the ceiling. Place the tapered ends of the anchors (M) into the holes and gently tap them flush to the wall using a light weight hammer.
7. Remove hex nipple (C) and lock washer (D) from the swivel (E) at the end of canopy pipe (G).
8. Insert the threaded end of hex nipple (C) down through lock washer (D) and ceiling bracket (H) and back into swivel (E) at the end of canopy pipe (G).
9. Repeat steps 7 & 8 for the remaining side.
10. Tighten hex nipple (C) securely being sure the notches in swivels (E) are aligned.
11. Thread the wires from fixture pipe (A) through canopy pipe (G), swivel (E) and hex nipple (C).
12. Unscrew clutch (O) from canopy pipe (G) and slide it over the wires and onto fixture pipe (A). It may be necessary to loosen set screw (Q) in clutch (O). Follow this with the plastic clutch sleeve (P), oriented so the tapered end of the clutch sleeve nests in the clutch (Figure 3).
13. Slide the canopy pipes (G) as far as necessary to give you the total length of the fixture that you desire. Be careful not to scratch the pipe surfaces and to pull excess wire up through the canopy pipes. Screw clutch (O) onto canopy pipe (G). There must be a minimum of 1-1/2" of inner pipe inside the outer pipe.

**Note:** To ensure full connection strength, be sure the tapered end of the plastic clutch sleeve (P) is oriented toward the clutch (O) when assembled and securely tighten set screw (Q) with provided hex wrench.

# ASSEMBLY & INSTALLATION INSTRUCTIONS

A643

136390 Etch Pendant

14. Tighten set screws (Q) in clutch to maintain fixture height.
15. Thread supply wires through hole in crossbar (F). Raise fixture (K) and secure bracket (H) and crossbar (F) to electric box and with two machine screws (not provided).

**Note:** A new electric box comes with screws. When replacing a fixture, retain the existing screws for use with the new fixture.

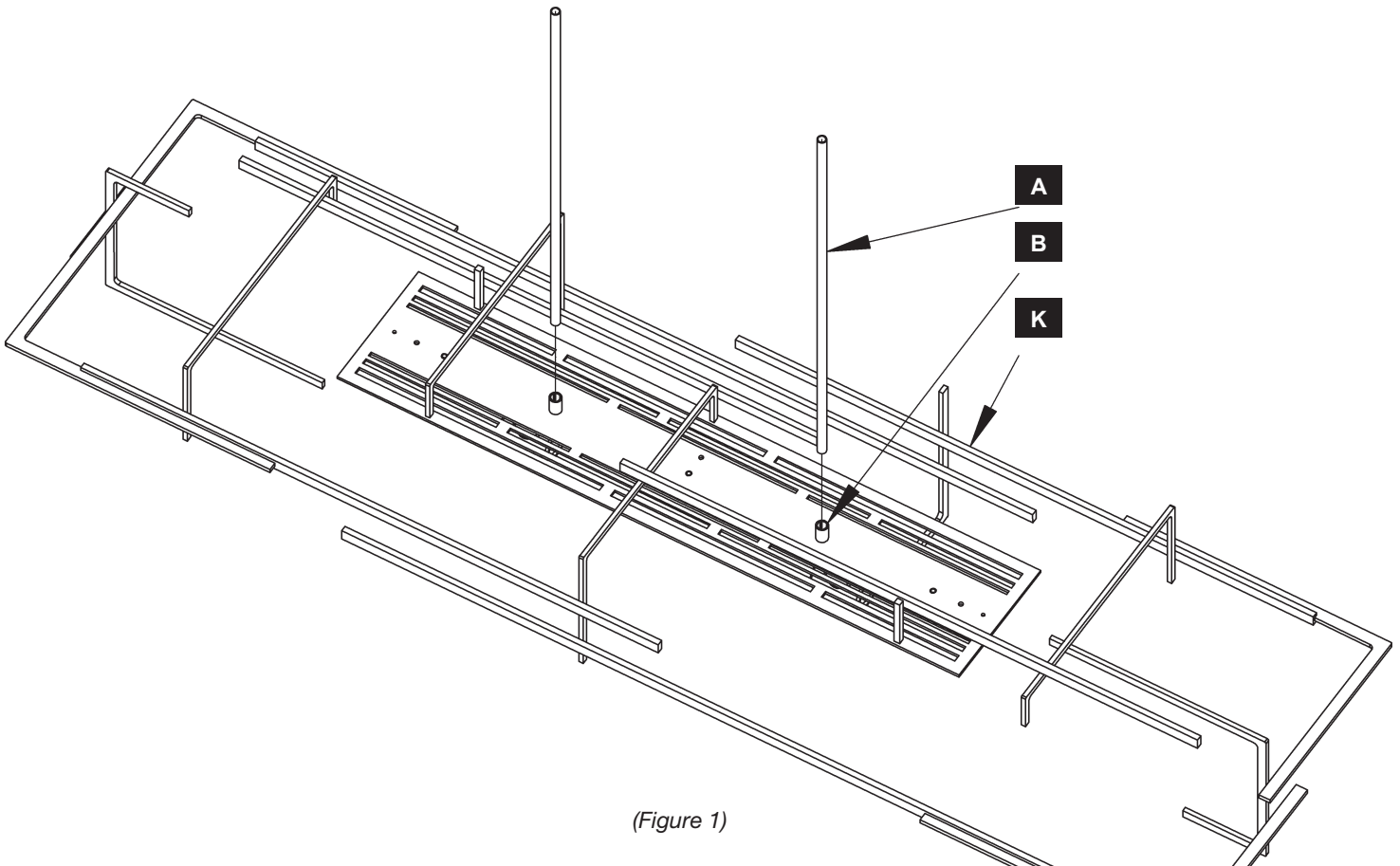
16. Using #10 screws (N), screw the ceiling bracket (H) securely to the ceiling. Be careful not to over-tighten or strip the anchors.

**Note:** If installing on a sloped ceiling, make certain the notches in the swivels (E) are oriented toward the lower side of the slope.

17. Using suitable wire connectors (not provided) connect fixture wires to supply (white to white and black to black). Attach a pgtail lead to crossbar (F) using ground screw (S). Hold canopy (J) close to ceiling and connect all ground wires (bare copper or green to bare copper or green).

**CAUTION:** MAKE SURE WIRE CONNECTORS ARE TWISTED ON SECURELY, AND NO BARE WIRE IS EXPOSED.

18. Push canopy (J) over threaded studs (I) and firmly against the ceiling, being sure not to pinch wires between the ceiling and canopy. Secure canopy to threaded studs (I) using two barrel knobs (R).
19. Complete following instructions to finish shade and diffuser installation.



(Figure 1)



HUBBARDTON FORGE.

MODERN AMERICAN BLACKSMITHS | FINE, HAND CRAFTED LIGHTING  
CASTLETON, VERMONT USA | HUBBARDTONFORGE.COM

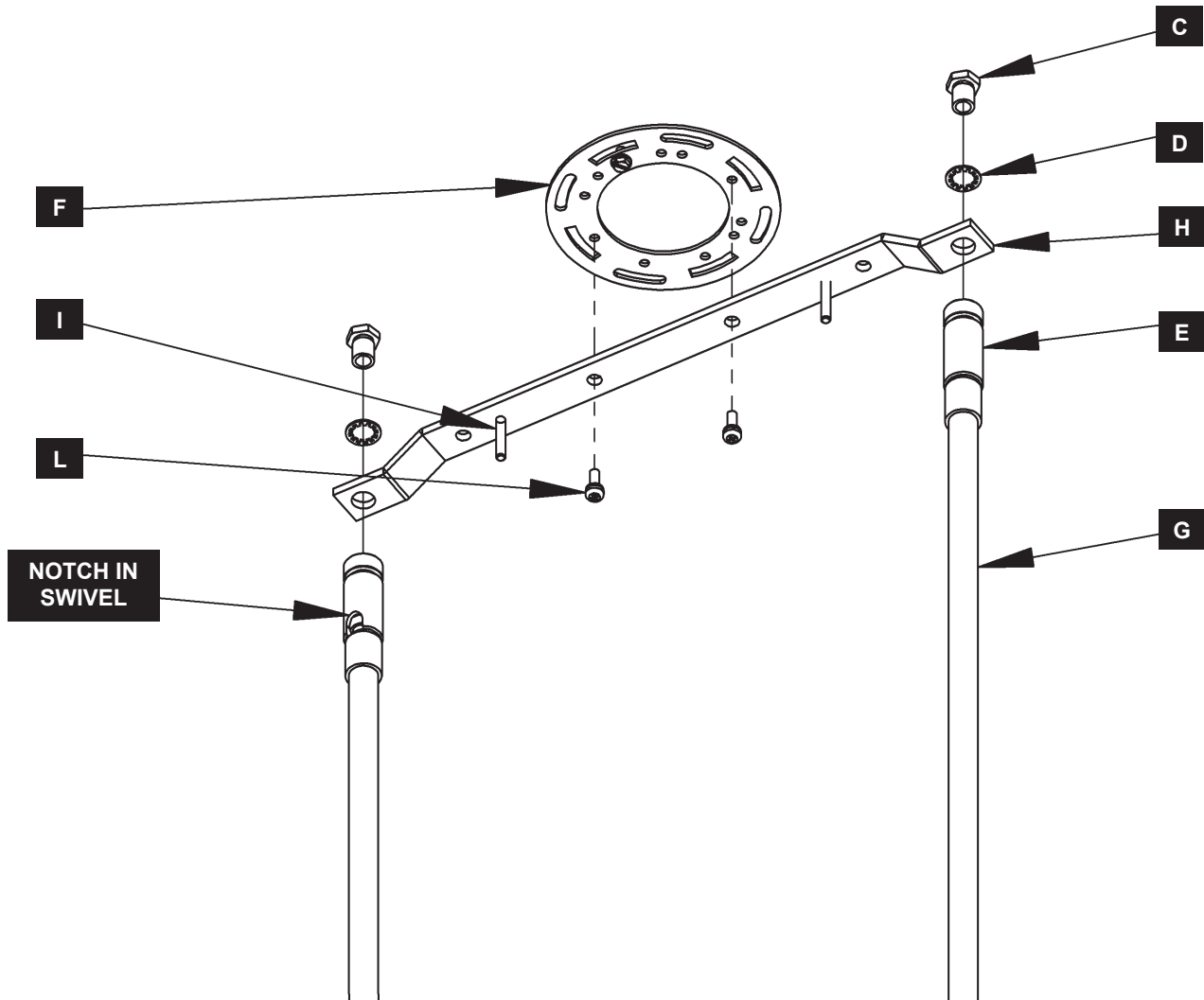
45278

4 OF 8

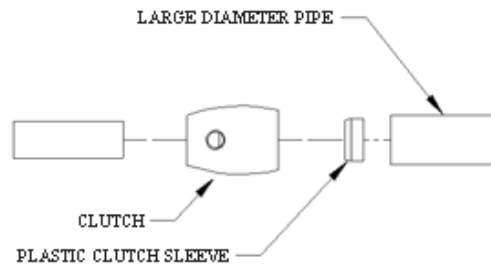
# ASSEMBLY & INSTALLATION INSTRUCTIONS

A643

136390 Etch Pendant



(Figure 2)

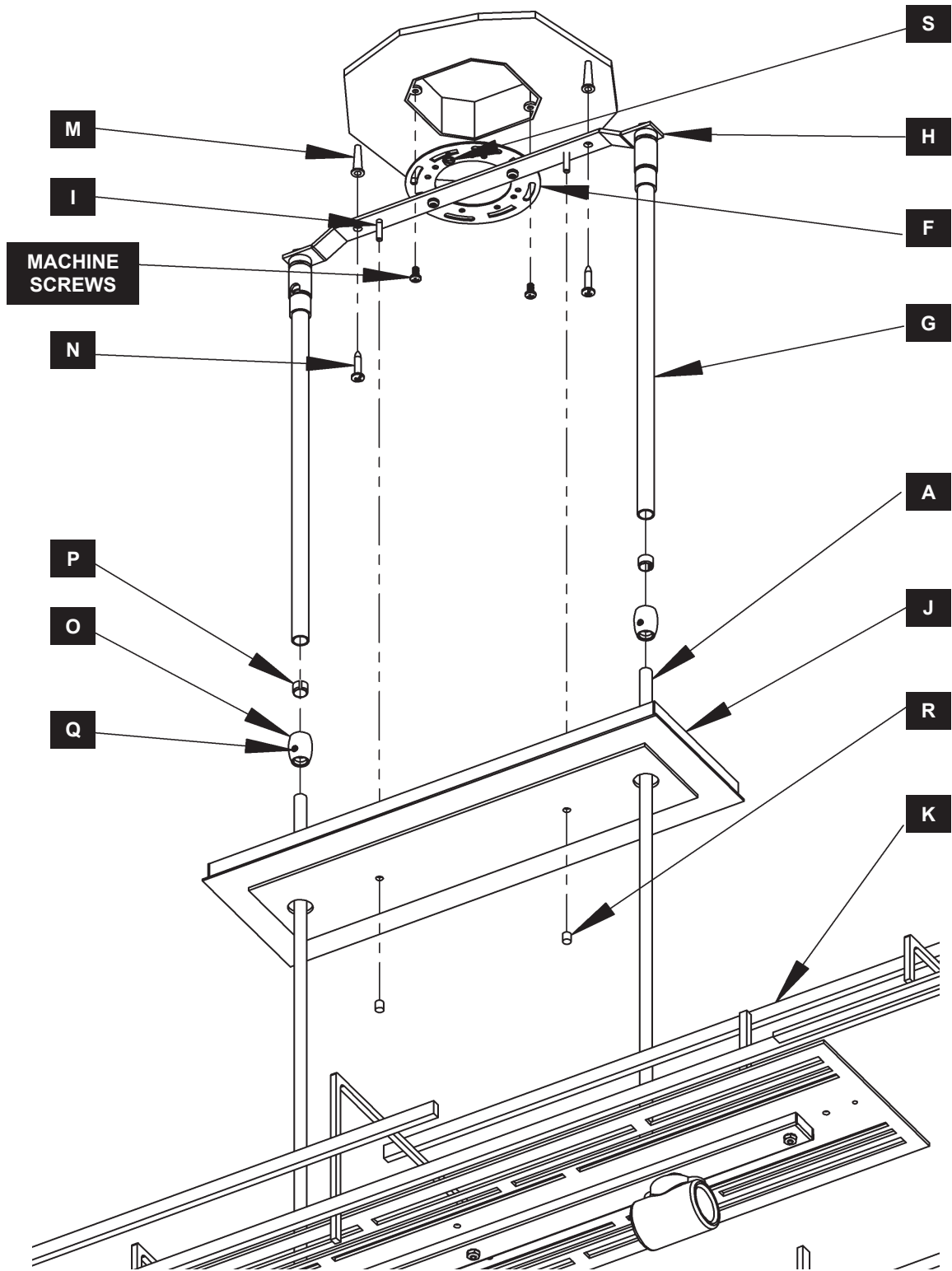


(Figure 3)

# ASSEMBLY & INSTALLATION INSTRUCTIONS

A643

136390 Etch Pendant



(Figure 4)

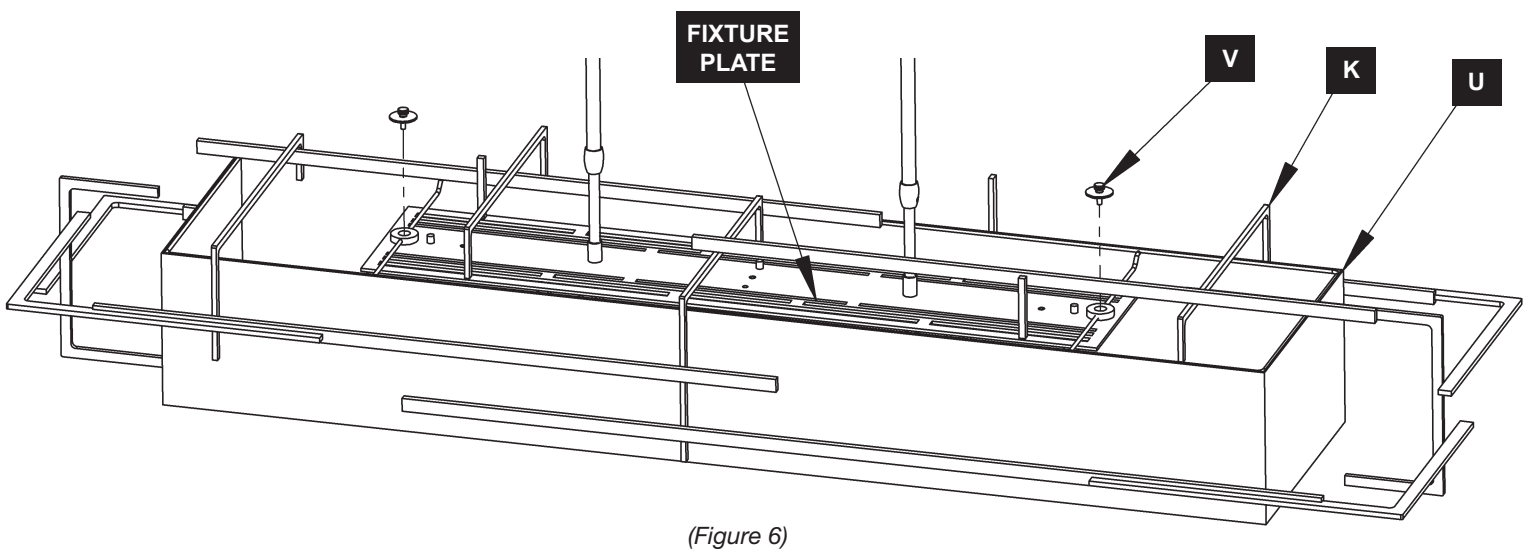
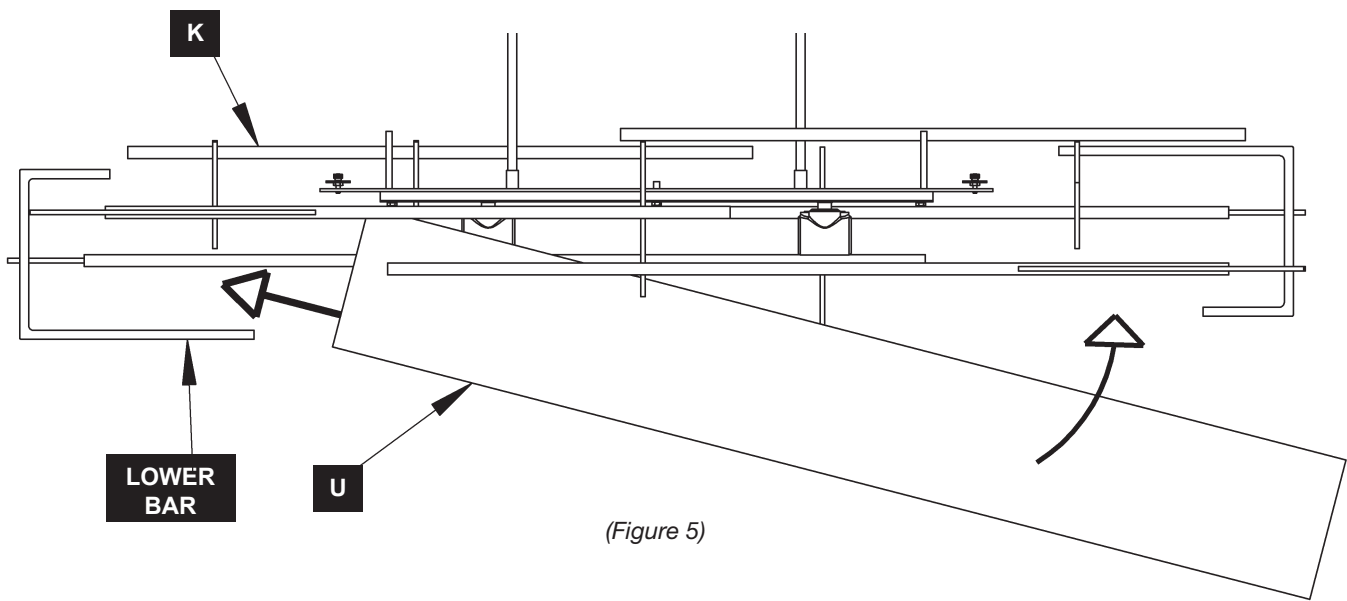


HUBBARDTON FORGE.

MODERN AMERICAN BLACKSMITHS | FINE, HAND CRAFTED LIGHTING  
CASTLETON, VERMONT USA | HUBBARDTONFORGE.COM

**To Install Shades & Diffuser** (Figures 5 & 6)

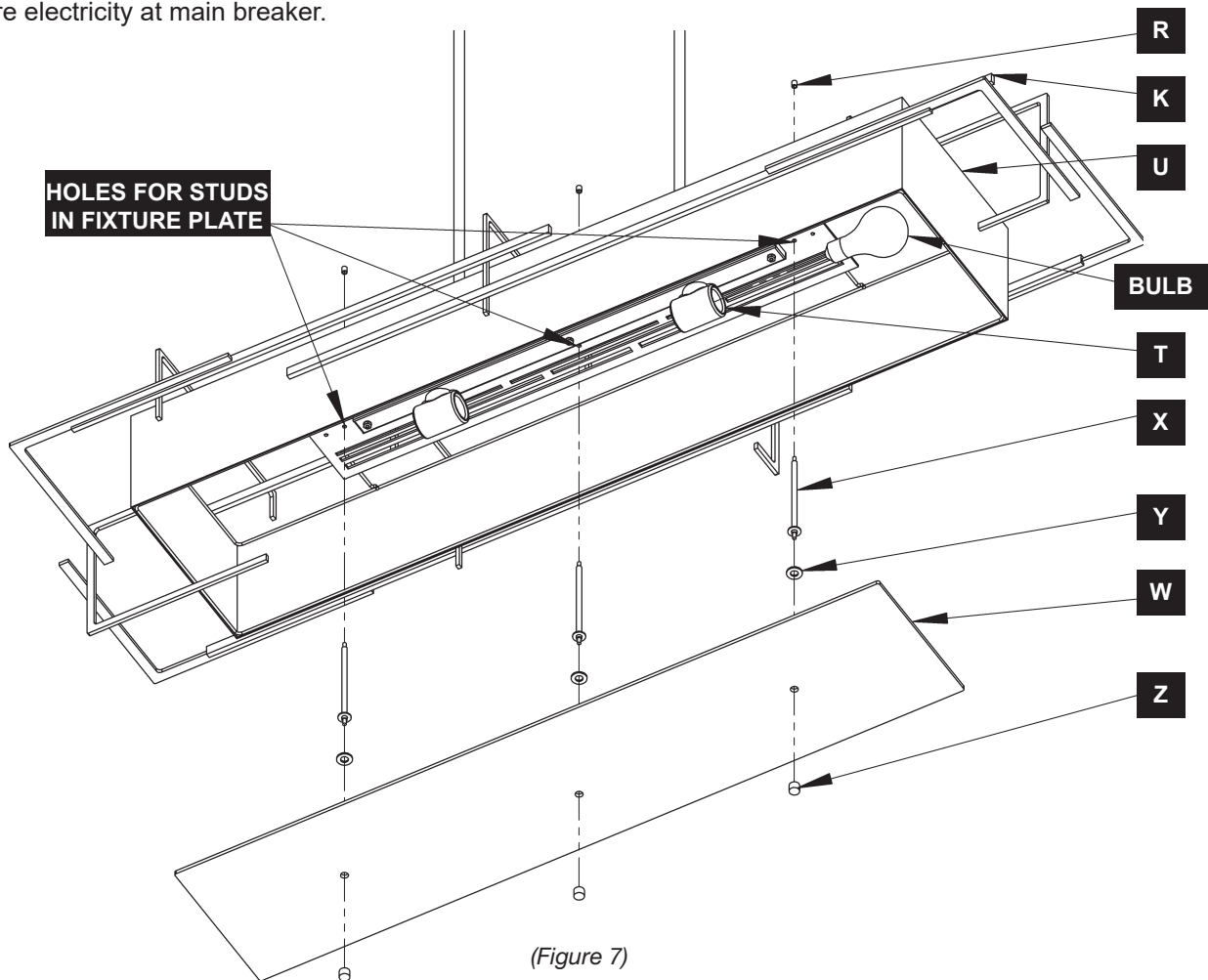
1. Unscrew thumb screws (V) from fixture. Set aside for later use.
2. Hold shade with metal brackets on top. Slide into fixture (K), being sure not to hit shade (U) on lower bar.
3. Slide all the way to one side of fixture and swing other end of shade up into fixture (K). (Figure 5).
4. Position shade (U) over fixture plate and align shade brackets with threaded holes on each end of fixture plate.
5. Thread thumb screws (V) through shade (U) bracket and into fixture to secure shade (U).



136390 Etch Pendant

## To Complete Install (Figure 7)

1. Install bulbs (not included) into sockets (T).
2. Locate diffuser studs (X), rubber washers (Y), knobs (Z) and barrel knobs (R). Separate all parts.
3. Orient diffuser stud as shown in figure (6). Slide rubber washer (Y) onto stud (X) and place into hole in diffuser.
4. Secure stud to diffuser (W) with knob (Z). Be careful not to overtighten and break diffuser.
5. Repeat for remaining studs (X).
6. Raise diffuser (W) up into fixture (K). Align studs (X) with holes in fixture (K). Secure with barrel knob (R) on top of fixture (K).
7. Restore electricity at main breaker.



(Figure 7)

If you need further assistance, or find that you are missing any parts, please contact the dealer from which you purchased this product. We hope you enjoy your fixture!

**\* Hubbardton Forge will not be liable for injury or damage caused by improper installation, lamping or use of this fixture.**