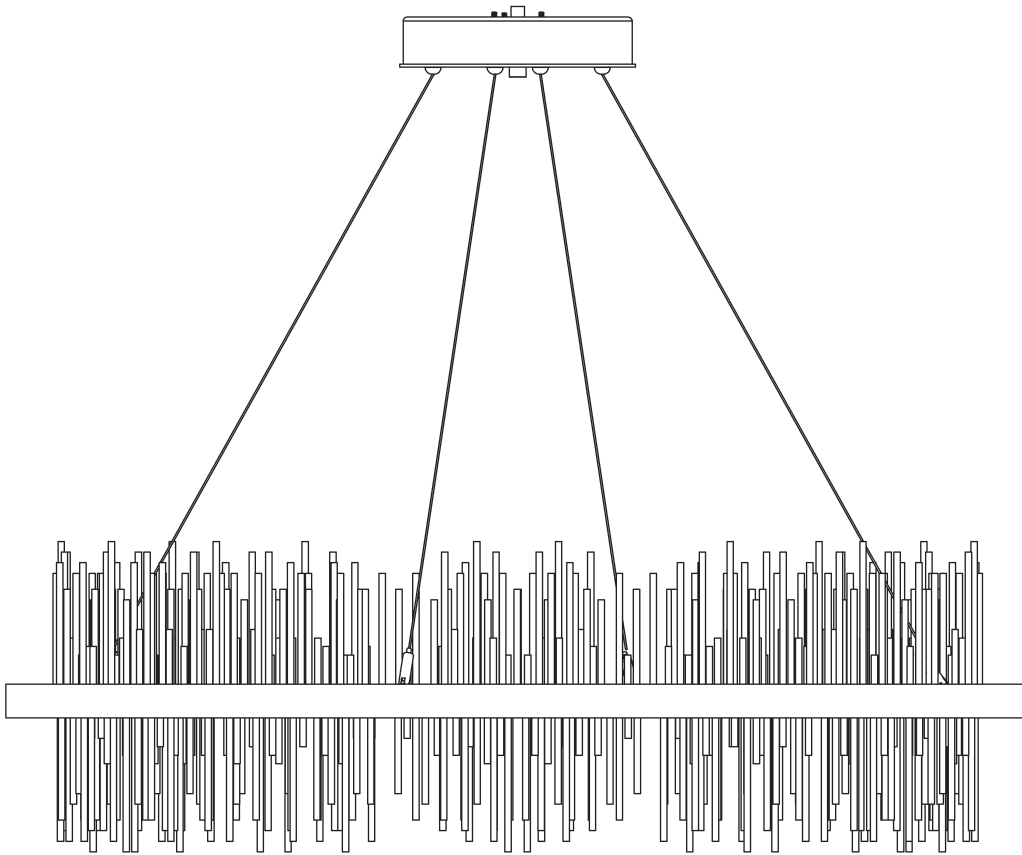


ASSEMBLY & INSTALLATION INSTRUCTIONS

Circular Gossamer Pendant 139656

A647



Component Parts

- A Canopy**
- B Cap**
- C Canopy Cover Plate**
- D #8 Screws (2)**
- E Gripper Plate**
- F Lag Screws (4)**
- G Fixture**
- H Gripper**
- I Supply/Support Cables (4)**
- J Accent 1 (4)**
- K Accent 2 (8)**



ASSEMBLY & INSTALLATION INSTRUCTIONS

A647

Circular Gossamer Pendant 139656

CAUTION: FAILURE TO INSTALL THIS FIXTURE PROPERLY MAY RESULT IN SERIOUS PERSONAL INJURY OR DEATH AND PROPERTY DAMAGE. We recommend installation by a licensed electrician. This product must be installed in accordance with applicable installation code(s), by a person familiar with the construction and operation of the product and the hazards involved.*

Caution: Do not exceed maximum wattage noted on fixture. Use only recommended bulbs with fixture.

Please Note: After installation extra hardware and accessories are possible; our kits are used on multiple products.

To Install Fixture (Figure 1)

CAUTION: BE SURE POWER IS OFF AT THE MAIN BREAKER BOX PRIOR TO INSTALLATION.

1. Carefully unpack fixture (G) from the carton.
2. Locate canopy assembly. Uncoil supply/support cables (I).
3. Unscrew two #8 screws (D) that attach the gripper plate (E) to the the canopy assembly. Remove gripper plate and set aside.
4. Thread supply wires through hole in canopy (A). Raise canopy (A) to electric box and secure with two machine screws (not provided).

Note: A new electric box comes with screws. When replacing a fixture, retain the existing screws for use with the new fixture.

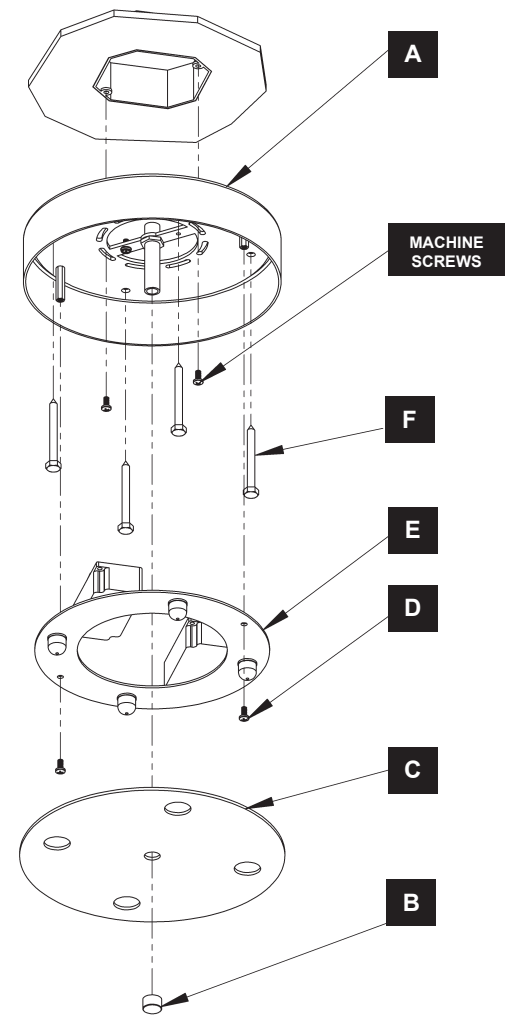
5. Using the four lag screws (F) attach canopy (A) to a structural member in the ceiling. We've supplied lag screws with your fixture, however, different materials and/or construction methods may require different fasteners. If in doubt, contact a qualified electrician.
6. While holding gripper plate (E) close to canopy (A), use suitable wire connectors (not provided) to connect driver wires to supply wires (white to white and black to black).

CAUTION: MAKE SURE WIRE CONNECTORS ARE TWISTED ON SECURELY AND NO BARE WIRE IS EXPOSED.

7. Reattach gripper plate to canopy (A) using two #8 screws (D).
8. Feed the supply/support cables (I) through appropriate holes in canopy cover plate (C), making sure that the (+) cables go through the (+) holes and the (-) cables go through the (-) holes.
9. Hold canopy cover plate (C) close to canopy (A). Connect all ground wires (bare copper or green to bare copper or green) together.

CAUTION: MAKE SURE WIRE CONNECTORS ARE TWISTED ON SECURELY AND NO BARE WIRE IS EXPOSED.

10. Install canopy cover plate (C) and secure in place with cap (B).
11. Align (+) and (-) labels on the fixture (G) with the (+) and (-) labels on canopy cover plate (C). **NOTE:** Only two cables are power cables, the two not marked with a (+) or (-) are support cables only.



(Figure 1)

ASSEMBLY & INSTALLATION INSTRUCTIONS

A647

Circular Gossamer Pendant 139656

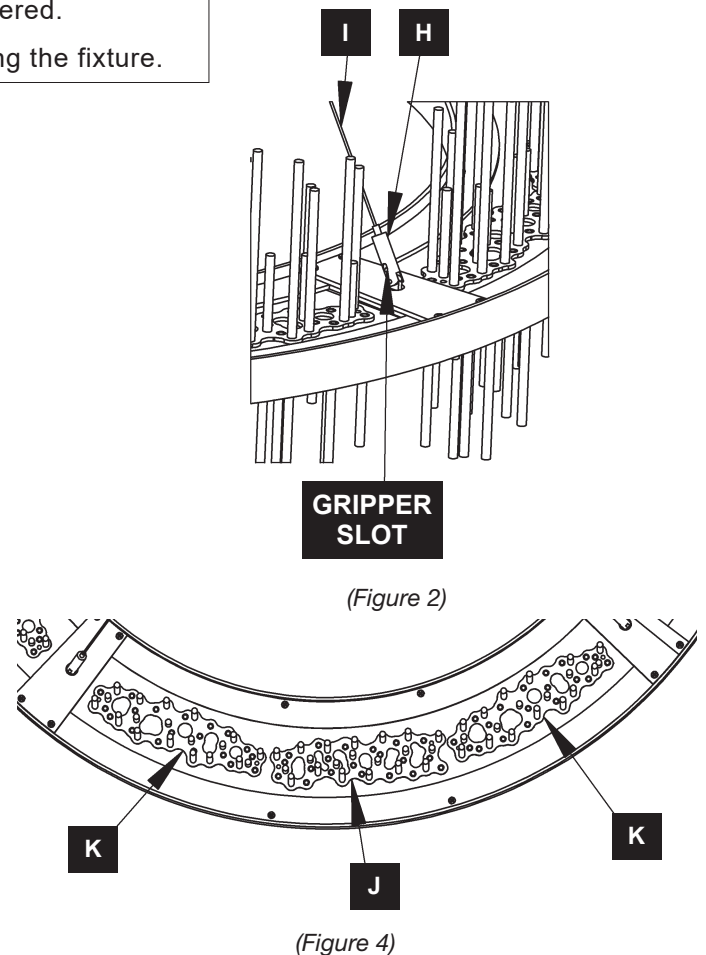
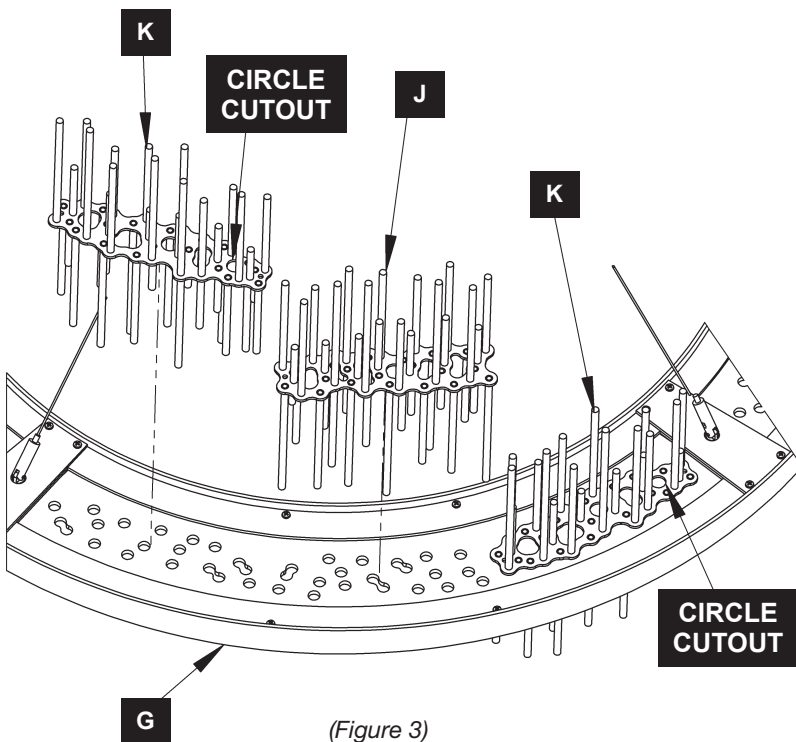
To Install Fixture (*continued*) (Figure 2-4)

12. Insert supply/support cable (I) through gripper (H) on fixture (G) until cable sticks through slot in the side of gripper (H). (Figure 2)
13. Repeat step 12 for the remaining supply/support cables (I).
14. Raise fixture (G) to a comfortable height for installing accent pieces.
15. Locate accent pieces. The fixture comes with eight of accent 2 (K) and four of accent 1 (J).
16. Place two accent 2 (K) and one accent 1 (J) in each quadrant. Repeat for remaining quadrants. Note the location of the circle cutout on accent 2 (K) to help orientation.
17. Raise fixture to desired hang height.
18. Once desired fixture height is achieved, cut excess cable (I) as close to the gripper (H) as possible.

CAUTION: Once excess cable is cut, fixture cannot be lowered.

CAUTION: Be sure no piece of the support cable is touching the fixture.

19. Restore electricity at main breaker.



If you need further assistance, or find that you are missing any parts, please contact the dealer from which you purchased this product. We hope you enjoy your fixture!

*** Hubbardton Forge will not be liable for injury or damage caused by improper installation, lamping or use of this fixture.**