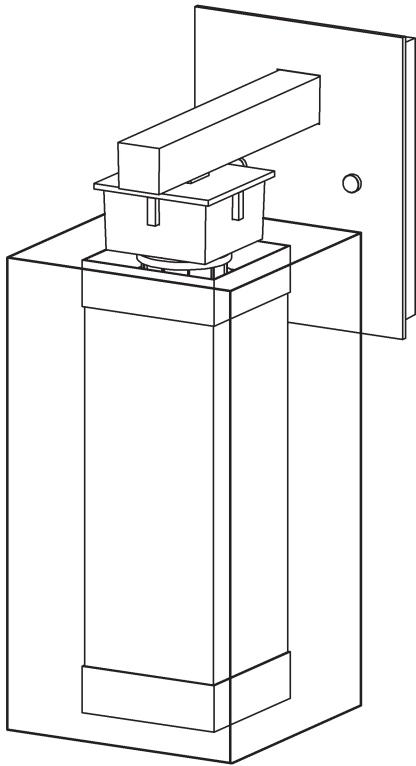


ASSEMBLY & INSTALLATION INSTRUCTIONS

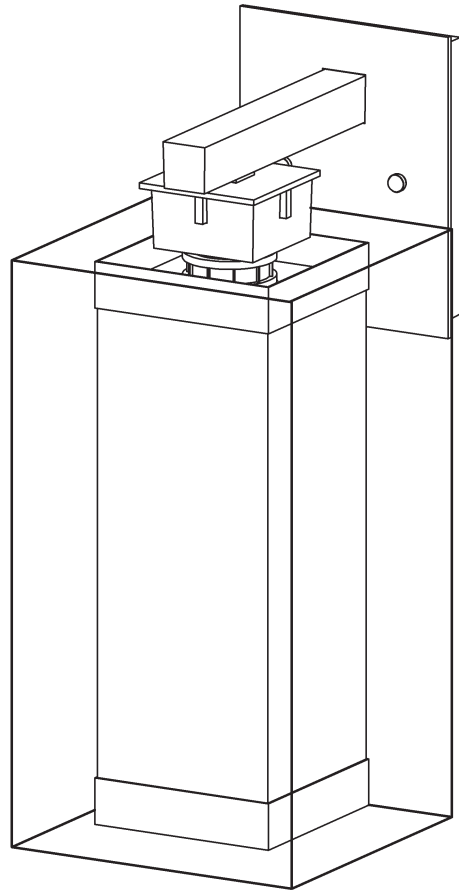
B457

Polaris Outdoor Sconce Medium 304852 & Large 304854



304852

Shown in Illustrations



304854

Component Parts

- A. Fixture**
- B. Crossbar**
- C. Studs**
- D. Knurled balls (2)**
- E. Ground Screw**
- F. Caulking Lip**
- G. Socket**
- H. Glass**
- I. Retaining Ring**
- J. Retaining Ring Tool**
- K. Decorative element**
- L. White Washer**



ASSEMBLY & INSTALLATION INSTRUCTIONS

B457

Polaris Outdoor Sconce Medium 304852 & Large 304854

CAUTION: FAILURE TO INSTALL THIS FIXTURE PROPERLY MAY RESULT IN SERIOUS PERSONAL INJURY OR DEATH AND PROPERTY DAMAGE. We recommend installation by a licensed electrician. This product must be installed in accordance with applicable installation code(s), by a person familiar with the construction and operation of the product and the hazards involved.*

Caution: Do not exceed maximum wattage noted on fixture. Use only recommended bulbs with fixture.

Please Note: After installation extra hardware and accessories are possible; our kits are used on multiple products.

To Install Fixture (Figures 1 & 2)

CAUTION: BE SURE POWER IS OFF AT THE MAIN BREAKER BOX PRIOR TO INSTALLATION.

1. Carefully unpack the fixture (A) from the carton.
2. Thread studs (C) into the appropriate holes in the crossbar (B) to match the holes in the fixture (A).
3. Thread wires in electrical box through center hole in the crossbar (B) while moving crossbar into position. Using (2) #8 machine screws (not provided), attach crossbar (B) securely to the junction box.

Note: A new electric box comes with screws. When replacing an existing fixture, retain screws for use with the new fixture

4. Secure a pigtail lead to crossbar (B) using green ground screw (E).
5. Hold the fixture (A) close to the crossbar (B).
6. Using suitable wire connectors (not provided) connect fixture wires to supply wires (white to white, or ribbed and black to black, or smooth). Connect all ground wires (bare copper or green to bare copper or green).

CAUTION: MAKE SURE WIRE CONNECTORS ARE TWISTED ON SECURELY, AND NO BARE WIRE IS EXPOSED.

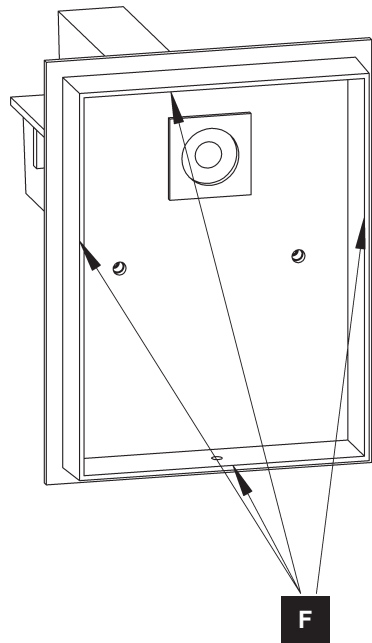
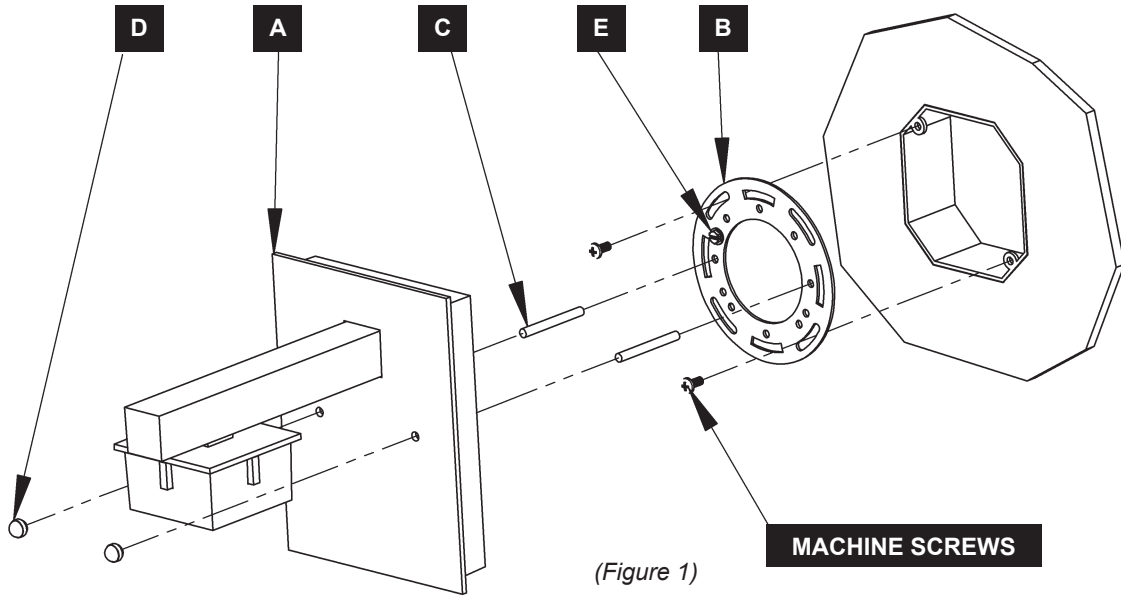
7. Carefully tuck all wires behind the fixture (A) and inside the crossbar (B).
8. Apply a generous bead of a suitable caulking material (not provided) to caulking lip (F) on the fixture (Figure 2).
9. Align holes in fixture (A) with threaded studs (C) and press fixture to the wall. Thread a knurled ball (D) onto each threaded stud (C) and hand tighten to secure fixture (A) to wall.

Note: Be sure threaded studs (C) are fully seated in the knurled balls (D)

ASSEMBLY & INSTALLATION INSTRUCTIONS

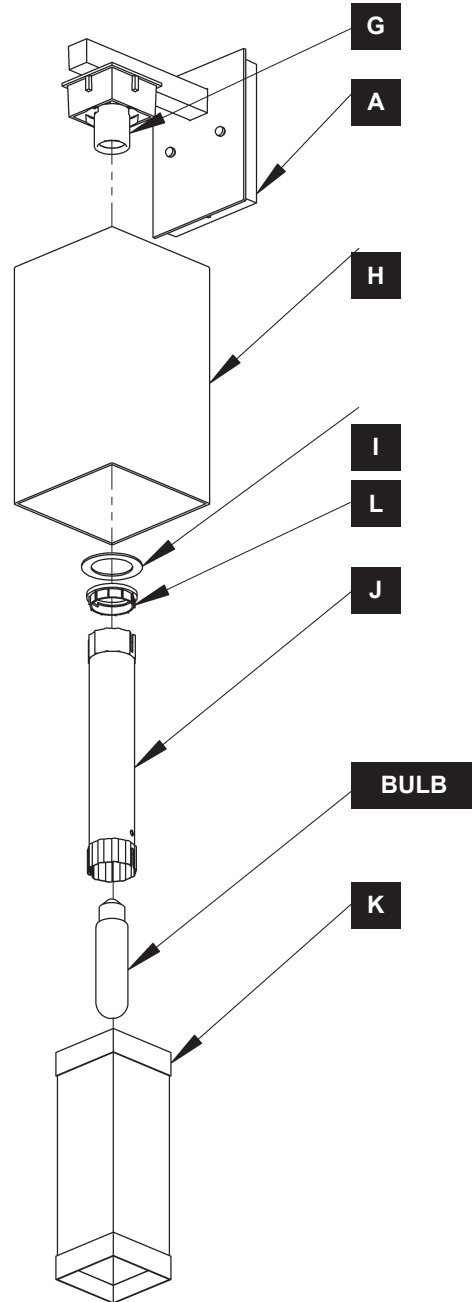
B457

Polaris Outdoor Sconce Medium 304852 & Large 304854



To Install Glass *(Figure 3)*

1. Retaining ring (I) is shipped installed on the socket (G). Uninstall retaining ring and set aside for use later.
2. Slide glass (H) over socket (G).
3. Place retaining ring (I) into retaining ring tool (J). Place white washer (L) over socket. Thread retaining ring onto socket and tighten against glass (H). Remove retaining ring tool (J).
4. Install bulb (not included) into socket (G).
5. Thread decorative element (K) on to socket (G) until it contacts the glass (H). Unthread the decorative element (K) just until it is aligned and square with the rest of the fixture (A).
6. Restore electricity at main breaker.



(Figure 3)

If you need further assistance, or find that you are missing any parts, please contact the dealer from which you purchased this product. We hope you enjoy your fixture!

**** Hubbardton Forge will not be liable for injury or damage caused by improper installation, lamping or use of this fixture.***