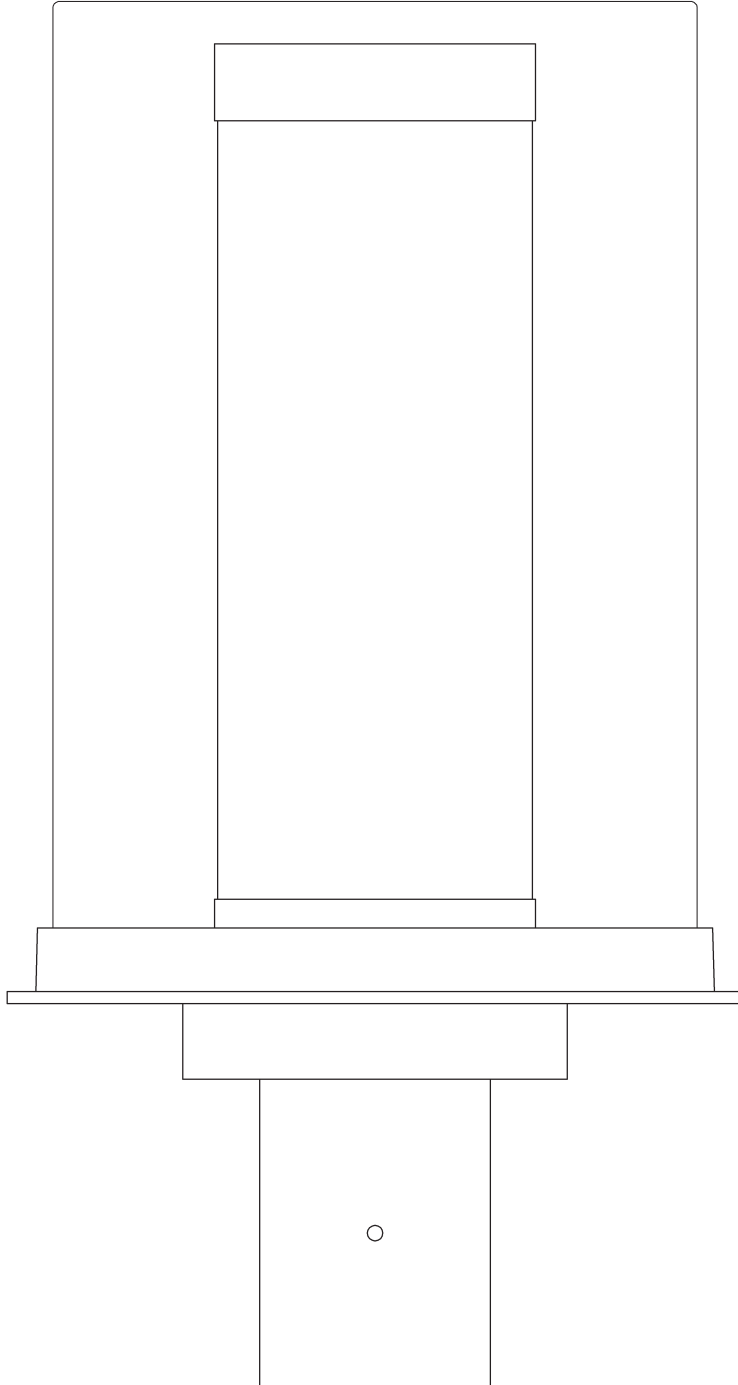


ASSEMBLY & INSTALLATION INSTRUCTIONS

G26

Polaris Post Light 344850



Component Parts

NOTE: Items A through F are options sold and shipped separately to allow for various site situations and shown here for reference during installation as applicable

- A Post / Pier Mount - Optional and sold separately**
- B J Bolt (4) - Included with optional post/pier mount**
- C Flat Washer (4) - Included with optional post/pier mount**
- D Split Washer (4) - Included with optional post/pier mount**
- E Hex Nut (4) - Included with optional post/pier mount**
- F Cover Cap - Optional and sold separately**
- G Set Screw**
- H Fixture**
- I Rubber Pad (4)**
- J Glass**
- K Decorative Element**
- L Retaining Ring/Cover**



ASSEMBLY & INSTALLATION INSTRUCTIONS

G26

Polaris Post Light 344850

CAUTION: FAILURE TO INSTALL THIS FIXTURE PROPERLY MAY RESULT IN SERIOUS PERSONAL INJURY OR DEATH AND PROPERTY DAMAGE. We recommend installation by a licensed electrician. This product must be installed in accordance with applicable installation code(s), by a person familiar with the construction and operation of the product and the hazards involved.*

Caution: Do not exceed maximum wattage noted on fixture. Use only recommended bulbs with fixture.

Please Note: After installation extra hardware and accessories are possible; our kits are used on multiple products.

To Install (Figures 1 & 2)

CAUTION: BE SURE POWER IS OFF AT THE MAIN BREAKER BOX PRIOR TO INSTALLATION.

NOTE: Fixture, Post and Cover Cap each sold separately.

SITE PREPERATION:

1. Run appropriate wiring to the site of the fixture, leaving enough excess wire to reach the top of the post, plus 12 inches.
2. Pour flat and level concrete base with wiring emerging at the center. Insert J bolts (B) so approximately 1" of the bolts are exposed above the concrete. Position J bolts according to the template on the last page of these instructions. Allow concrete to cure before installing fixture.

INSTALLATION:

NOTE: Post may be cut to desired height before installation.

3. Position post (A) over J bolts (B), feeding supply wire up though the post and secure using flat washers (C), split washers (D) and hexnuts (E).
4. Place optional cover cap (sold separately) (F) over post (A) to conceal mounting hardware.
5. Attach the four rubber pads (I) to the inside of fixture (H).

NOTE: IT MAY BE NECESSARY TO TRIM THE PADS TO FIT INSIDE THE FIXTURE.

6. Connect fixture wires to supply wires using appropriate wire connectors (not provided), black to black (or smooth), white to white (or ribbed) and bare copper or green to bare copper or green..

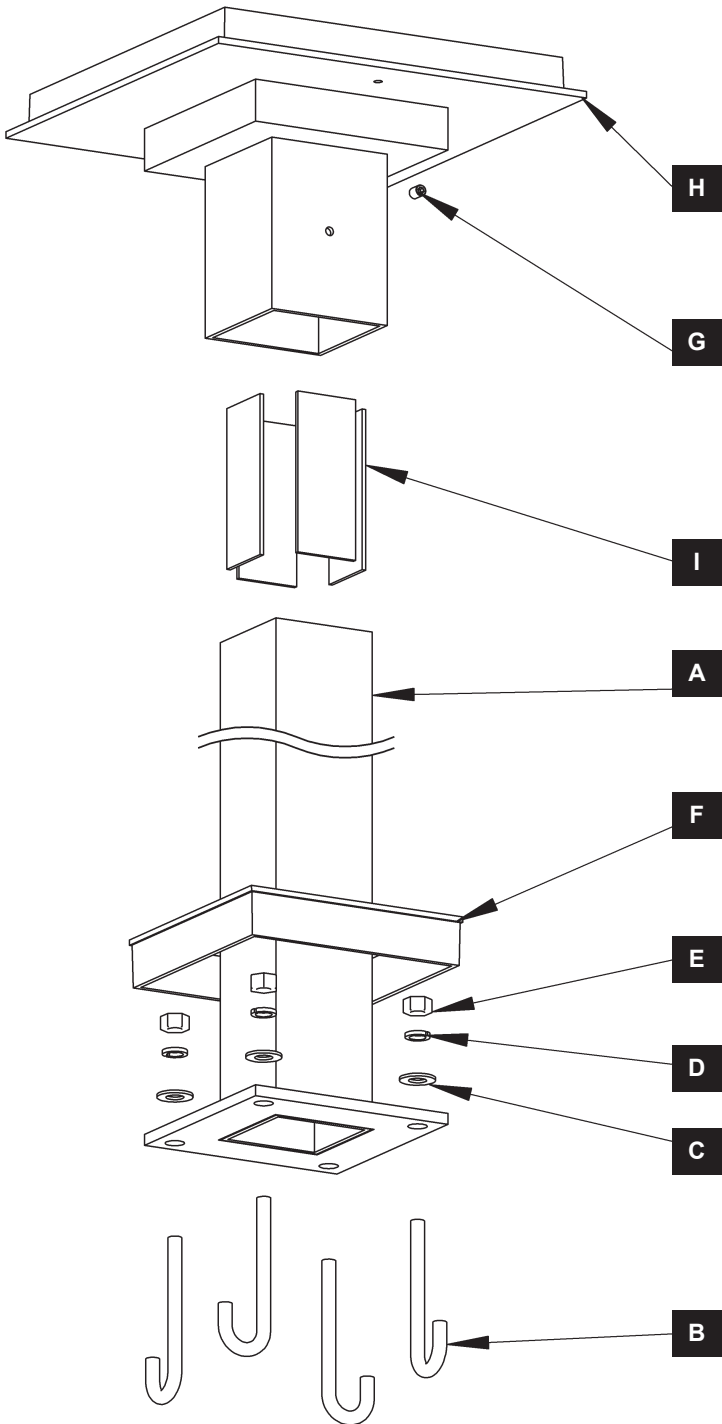
CAUTION: MAKE SURE WIRE CONNECTORS ARE TWISTED ON SECURELY AND NO BARE WIRE IS EXPOSED.

7. Place fixture (H) onto post (A), carefully tucking all wiring down into post and making sure no wires are pinched between the post and the fixture. Secure with set screw (G).
8. Unpack glass (J) and decorative element (K). Retaining ring/cover (L) is shipped installed on the socket. Remove and set aside.
9. Thread decorative element (K) onto socket until it stops against the fixture. Turn the decorative element until the sides of the element are aligned with the sides of the fixture (H).
10. Thread on retaining ring/cover (L). The retaining ring/cover (L) is supplied to cover the socket as well as to hold the decorative element (K) in place.
11. Install bulb (not included) into socket.
12. Slide glass (J) over decorative element (K) until it rest on fixture (H).
13. Restore electricity at main breaker.

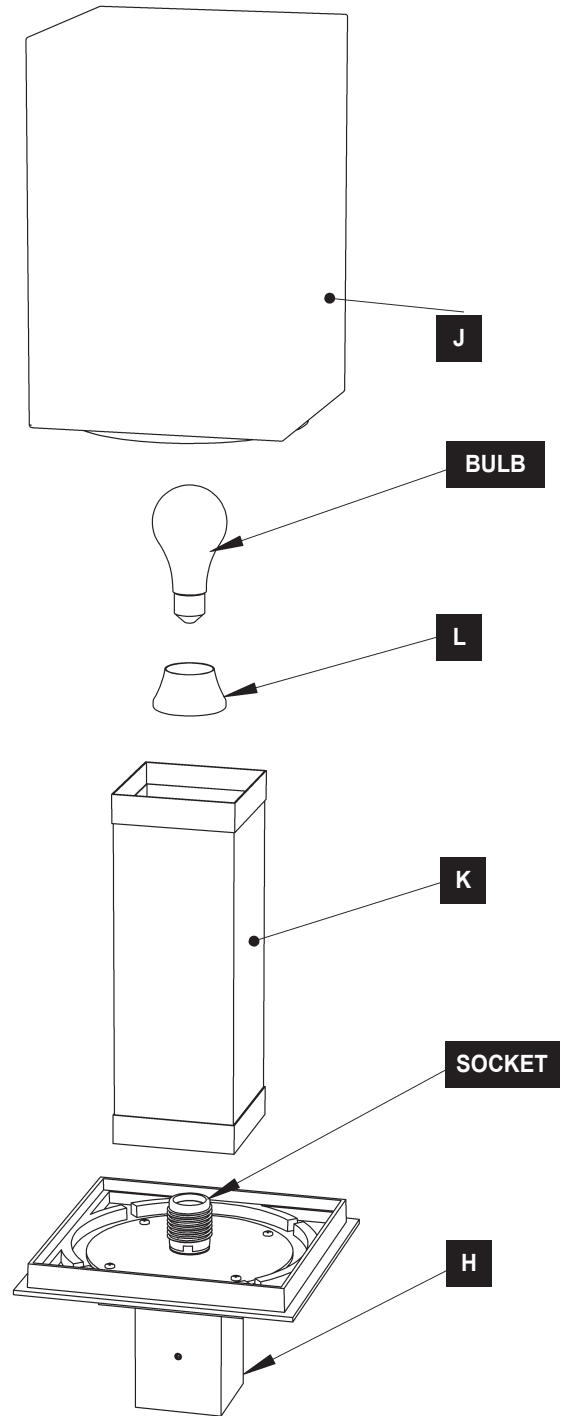
ASSEMBLY & INSTALLATION INSTRUCTIONS

G26

Polaris Post Light 344850



(Figure 1)



(Figure 2)



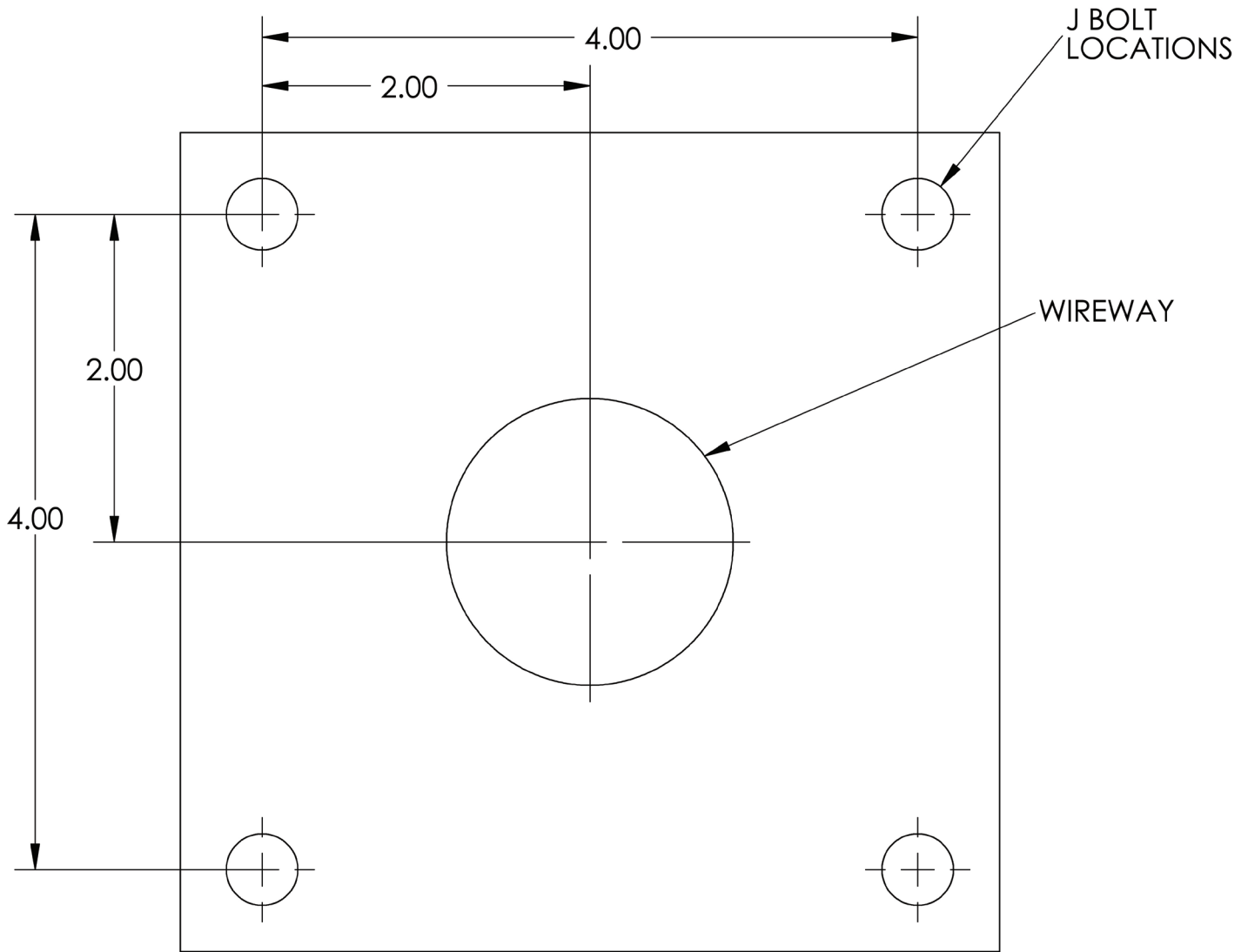
HUBBARDTON FORGE.

ASSEMBLY & INSTALLATION INSTRUCTIONS

G26

Polaris Post Light 344850

USE THIS TEMPLATE TO POSITION J BOLTS AND WIREWAY IN CONCRETE SLAB PRIOR TO INSTALLING OUTDOOR POST MOUNTED LIGHTING FIXTURE.



If you need further assistance, or find that you are missing any parts, please contact the dealer from which you purchased this product. We hope you enjoy your fixture!

*** Hubbardton Forge will not be liable for injury or damage caused by improper installation, lamping or use of this fixture.**