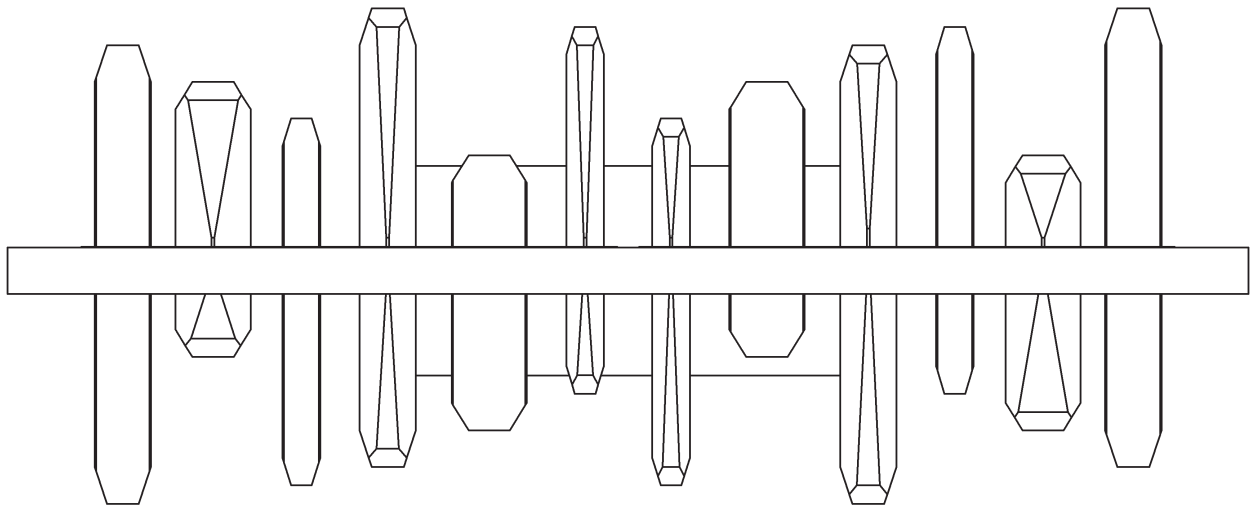


ASSEMBLY & INSTALLATION INSTRUCTIONS

B368

Solitude Sconce 207918



HUBBARDTON FORGE.

MODERN AMERICAN BLACKSMITHS | FINE, HAND CRAFTED LIGHTING
CASTLETON, VERMONT USA | HUBBARDTONFORGE.COM

36910 Rev A

Component Parts

- A Fixture**
- B Mounting Bracket**
- C Anchors (4)**
- D #10 Screws (4)**
- E Ground Screw**
- F Cupped Washer**
- G #8 Screws (4)**
- H Safety Cable**
- I Safety Cable Screw**
- J Crystal Assembly (2)**
- K Light Guide Plate**



ASSEMBLY & INSTALLATION INSTRUCTIONS

B368

Solitude Sconce 207918

CAUTION: FAILURE TO INSTALL THIS FIXTURE PROPERLY MAY RESULT IN SERIOUS PERSONAL INJURY OR DEATH AND PROPERTY DAMAGE. We recommend installation by a licensed electrician. This product must be installed in accordance with applicable installation code(s), by a person familiar with the construction and operation of the product and the hazards involved.*

Caution: Do not exceed maximum wattage noted on fixture. Use only recommended bulbs with fixture.

Please Note: After installation extra hardware and accessories are possible due to our kits are used on multiple products and options.

To Attach to Wall (Figures 1 - 3)

CAUTION: BE SURE POWER IS OFF AT THE MAIN BREAKER BOX PRIOR TO INSTALLATION.

1. Carefully unpack the fixture from the carton.
2. Place the mounting bracket (B) over the electrical box being sure to hold it plumb and level. Line up holes in mounting bracket (B) with holes in electrical box. With a pencil, mark the location of all mounting holes in the mounting bracket (B) on the wall behind. Set bracket aside.
3. Drill 1/4" holes in the locations marked on the wall. For holes using anchors, place the tapered end of the anchors (C) into the holes and gently tap them flush to the wall using a light weight hammer.
4. Thread the wires in the electrical box through the hole in the mounting plate (B) while moving the plate into position. Using the 1" #10 screws (D), screw the mounting bracket securely to the wall. Be careful not to over-tighten or strip the anchors.
5. Raise fixture (A) close to wall and attach safety cable (H) using safety cable screw (I) that is shipped in the kit bag.

NOTE: SAFETY CABLE IS USED TO TEMPORARILY SUSPEND CANOPY WHILE WIRING CONNECTIONS ARE MADE.

6. Using suitable wire connectors (not provided) connect fixture wires to supply wires (white to white and black to black). Attach cupped washer (F) and ground screw (E) to mounting plate (B) and run a pigtail lead from the ground screw (E) to the electrical box. Connect all ground wires (bare copper or green to bare copper or green).

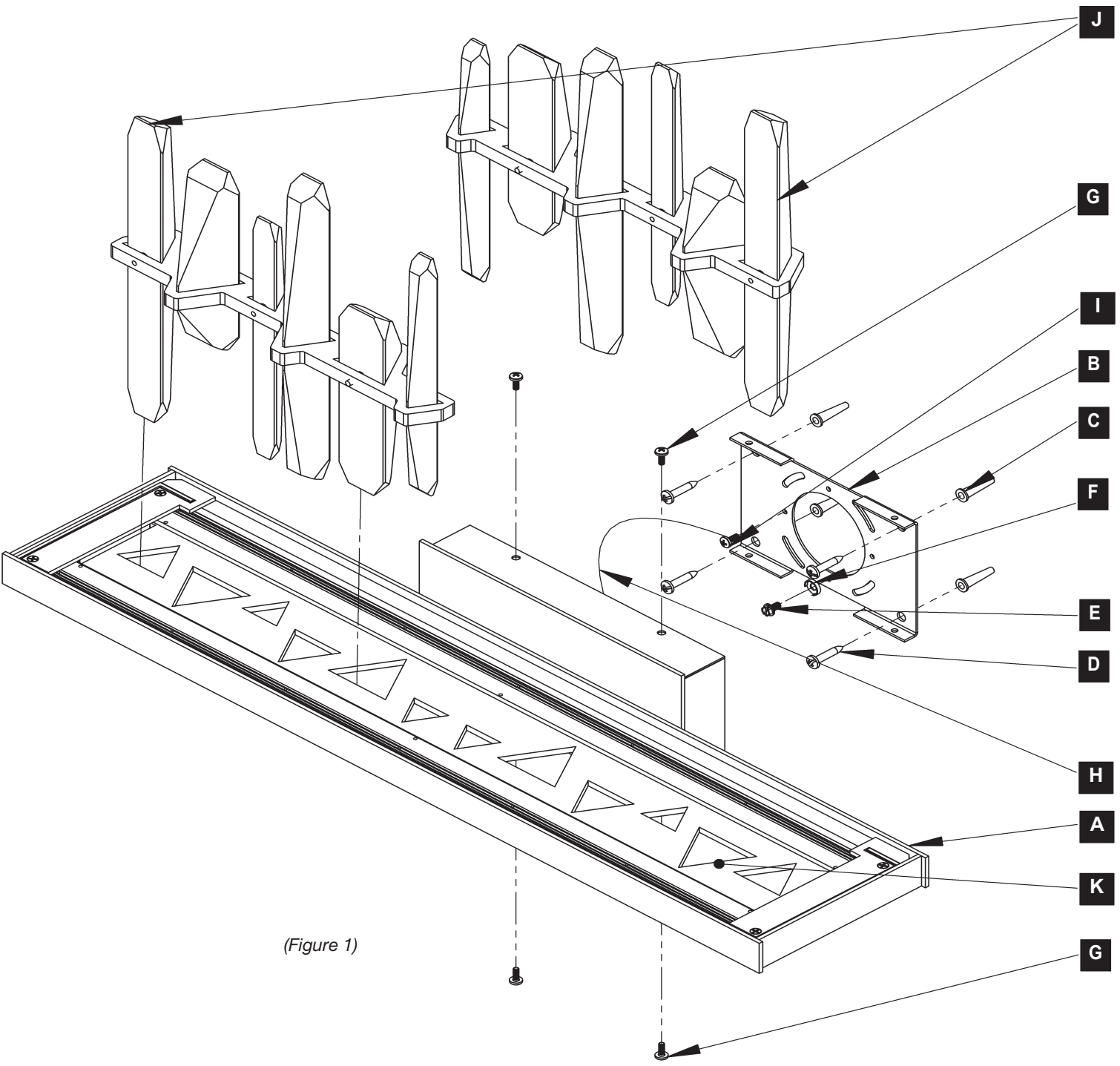
CAUTION: MAKE SURE WIRE CONNECTORS ARE TWISTED ON SECURELY AND NO BARE WIRE IS EXPOSED.

7. Carefully tuck all wires behind the fixture (A) and inside the mounting bracket (B). Place the fixture firmly onto mounting bracket (B) and fasten with #8 screws (G) on top and bottom of fixture (A).
8. Align crystal assemblies (J) with the triangle holes in light guide plate (K) and install assemblies. (Figure 6)
9. Restore electricity at main breaker.

ASSEMBLY & INSTALLATION INSTRUCTIONS

B368

Solitude Sconce 207918



(Figure 1)