

hollis+morris



constellation
pendant
product installation + specifications



constellation pendant

PRODUCT CODE
CONSpendant

MATERIALS

- + Solid wood
- + Hand blown glass
- + G9 LED light bulb
- + Fabric covered power cord

FINISH

- + Hard wax oil

INPUT

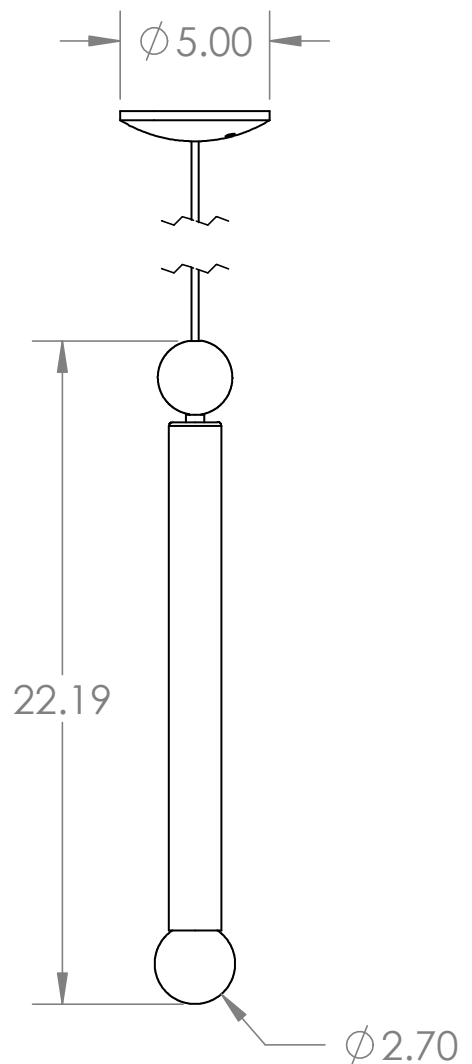
- + 120V 50/60 Hz (Canada + US)

OUTPUT

- + 4.5 W
- + 450 lumens
- + 3000K with CRI of 85 or higher

SUSPENSION

- + Single point suspension (per fixture)
- + Single canopy connection
- + 10' cord length power cable
- + Custom lengths upon request



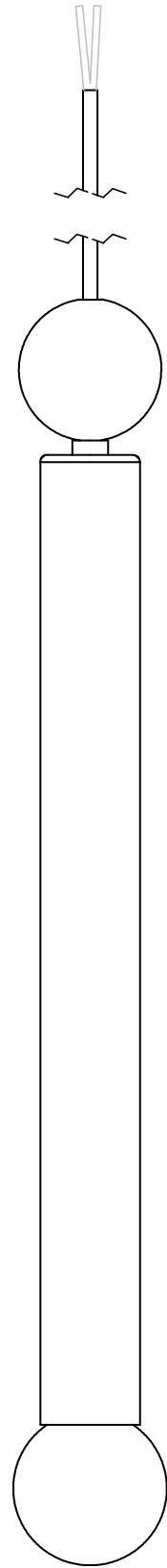
certification:



dimensions + installation

CANOPY CONNECTION

1. Locate desired canopy location on ceiling.
2. Connect fabric covered suspension cable from fixture to the cable gripper on the canopy.
3. Have a certified electrician connect +/- leads of suspension cable to 120 V domestic power.
4. Secure all connections.
5. Adjust all cables to desired heights (standard x length max. = 120")



hardware installation

1. Unscrew glass from wood top
2. Insert new G9 LED bulb into socket
3. Screw glass onto wood top

