

Constellation wall light

product installation + specifications

product code:

CONSwall

materials:

- + Solid W.Oak or Walnut
- + Frosted glass
- + Metal

finish:

- + Hardwax oil

input:

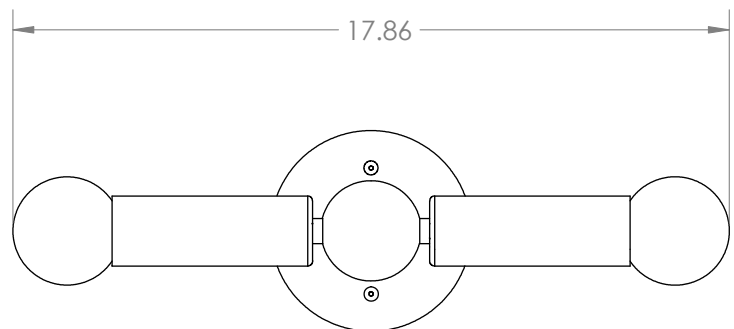
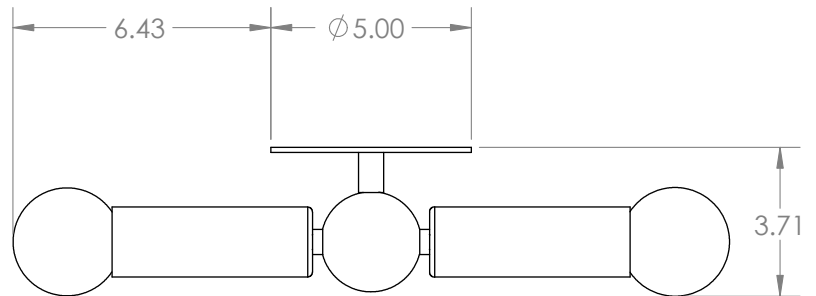
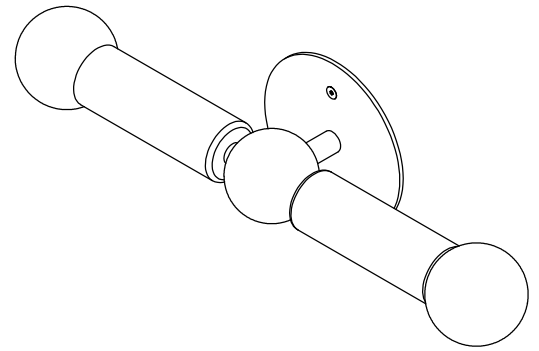
- + 120 V 50/60 Hz (Canada + US)

output:

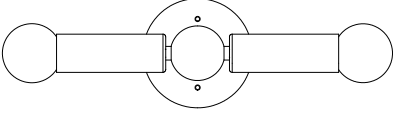

- + 7 W
- + 660 lumens
- + 3000K with CRI of 95 or higher

wall mounting:

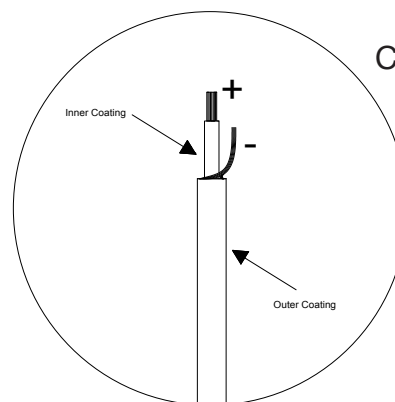
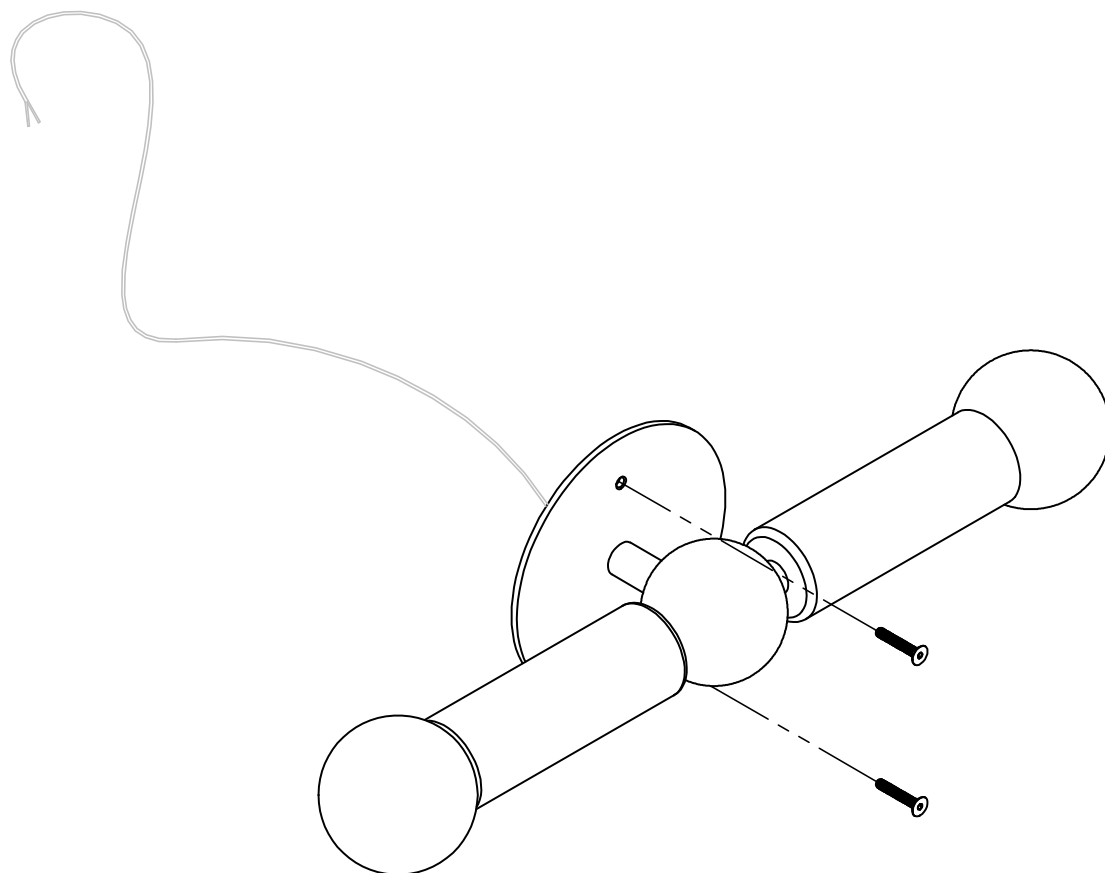
- + cord length: 5' standard
(custom length available)
- + single wire driver connection



hardware component list

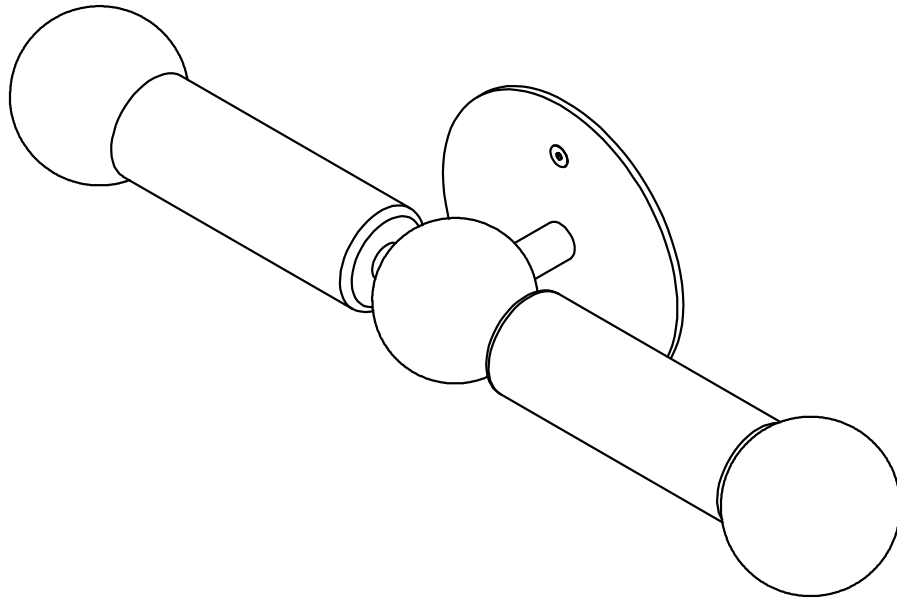
Component	Quantity	
Constellation Wall	1	
8-32, 1" Flat Head Screw	2	

hardware installation assembly



COAX CABLE

hardware installation



1. Place the fixture on the wall as intended and mark the fixture mounting point.
2. Have a certified electrician connect the fixture coax to 120 V domestic power.
3. Mount the fixture to a wall using the flat-head 8-32 screws.