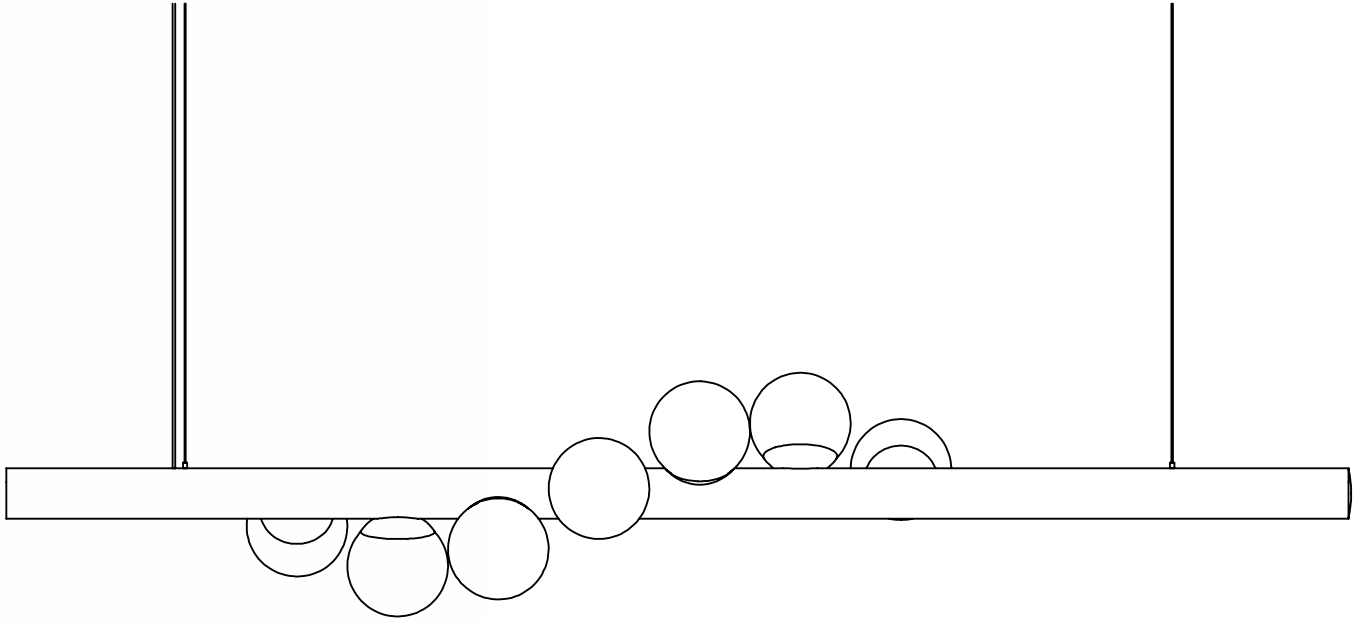


hollis+morris



**willow
pendant**

product installation + specifications



willow pendant

PRODUCT CODE

WIL0horizontal

MATERIALS

Solid wood
Spun brass
Hand blown glass
12V G4 LED light bulb
Suspension hardware

FINISH

Hardwax oil

INPUT

120V 50/60 Hz (Canada + US)

OUTPUT

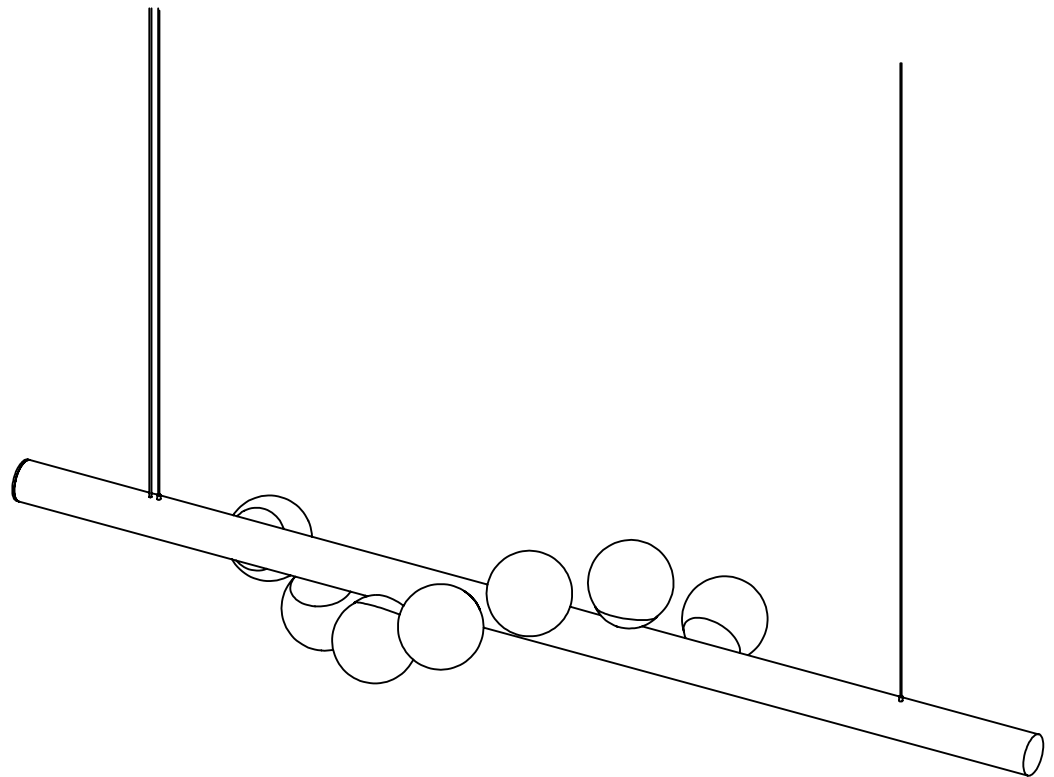
1.5W/bulb
3ft: 9W, 5ft: 13W
120 lumens/bulb
3000K with CRI of 85 or higher
equivalent incandescent 10W

DRIVER

120V - 12V fully dimmable
Driver included w/ canopy
120 - 277VAC - 12VDC upon request

SUSPENSION

2 point suspension (per fixture)
Single canopy connection
10' cord length power cable
Custom lengths upon request

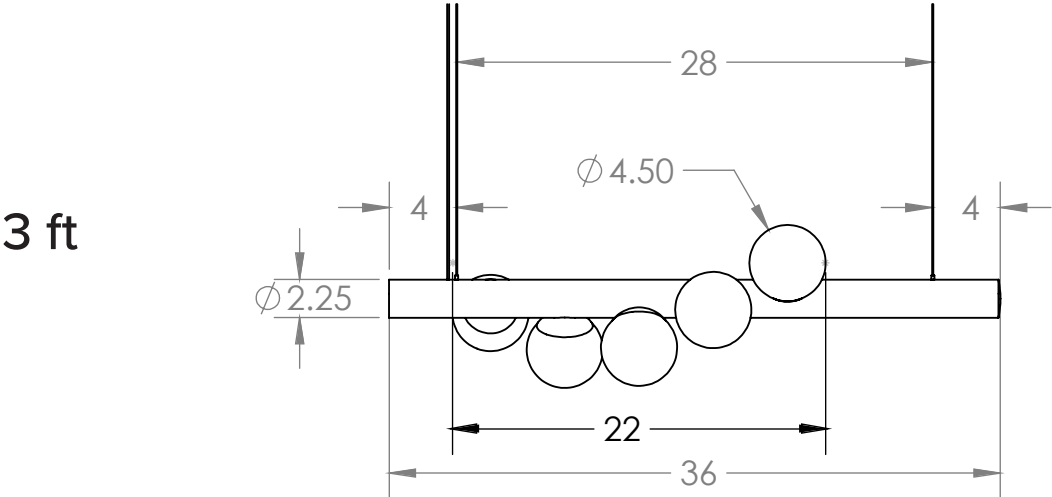
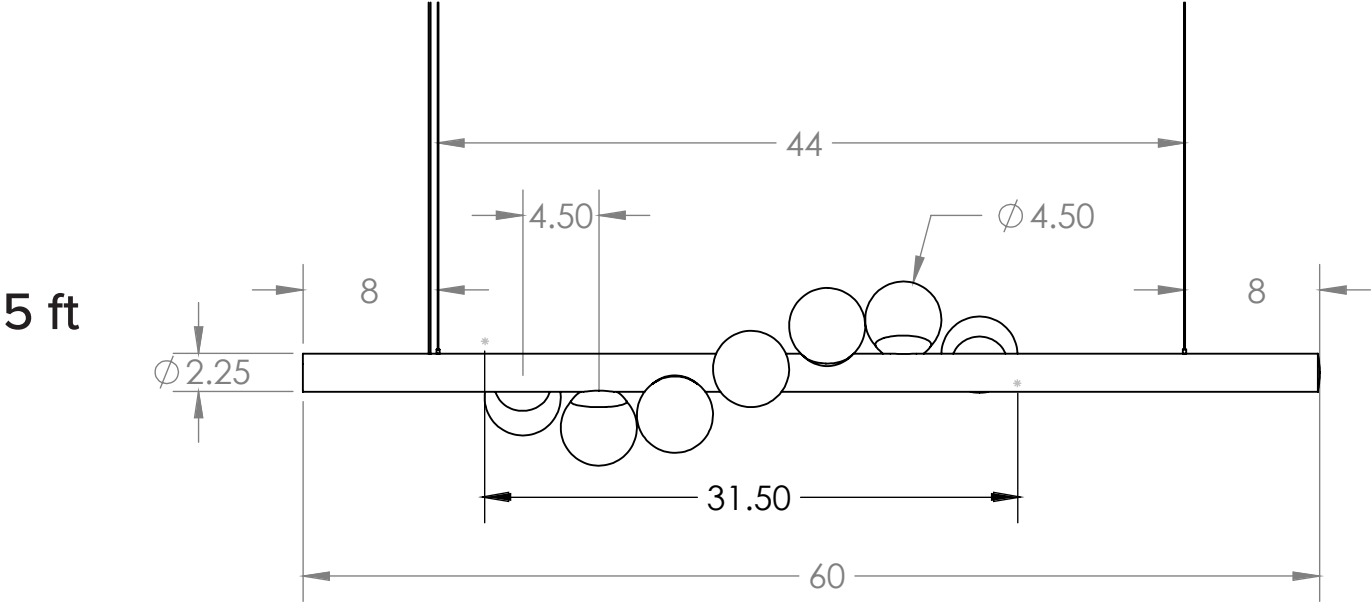


certification:

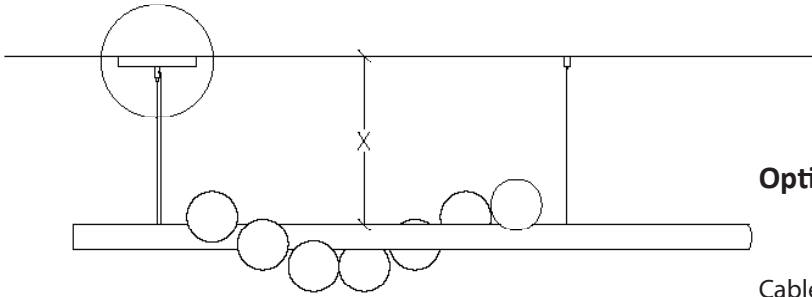


dimensions + installation

ELEVATION VIEWS



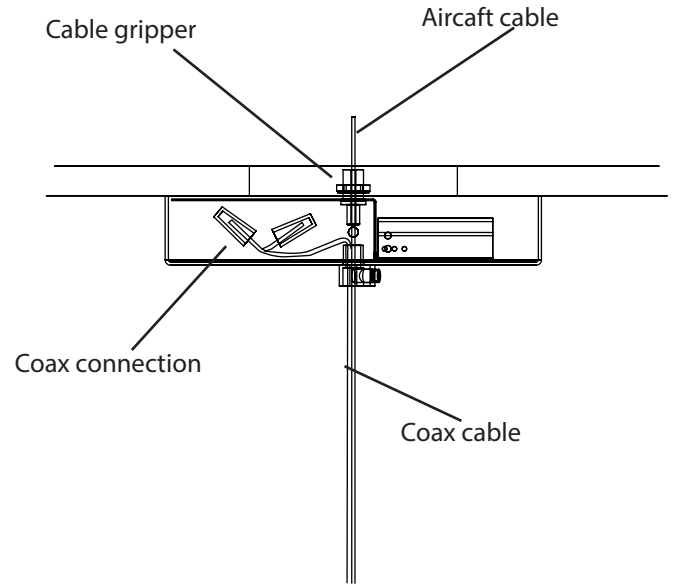
dimensions + installation



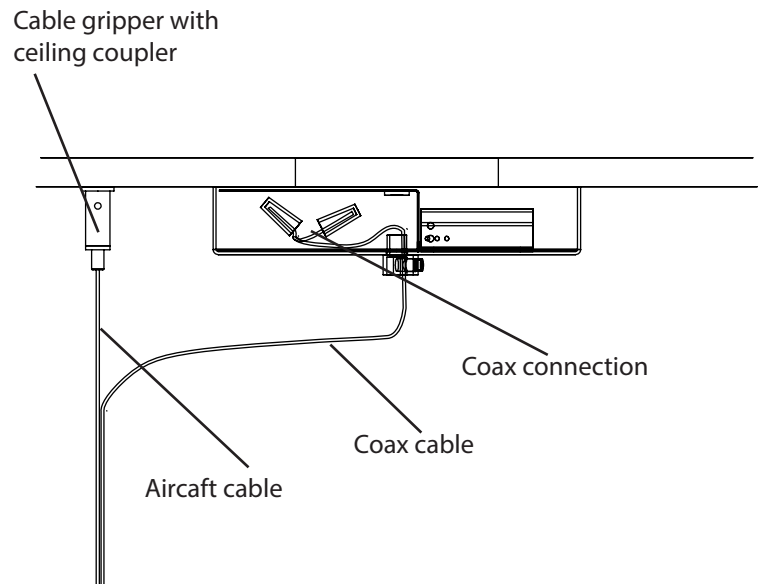
ELEVATION VIEW - CANOPY CONNECTION

1. Locate desired canopy location on ceiling & have a certified electrician supply and install to 120V power
2. Connect braided suspension cable from fixture to ceiling or canopy as illustrated on the right.
3. Feed insulated power line into canopy as illustrated on the right.
4. Connect +/- leads to 24V transformer w/in canopy. ***
5. Secure all connections.
6. Adjust all cables to desired heights (standard x length max. = 120")

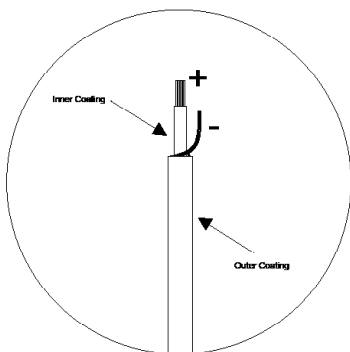
Option A - Support from canopy



Option B - Support from ceiling



*** COAX CABLE

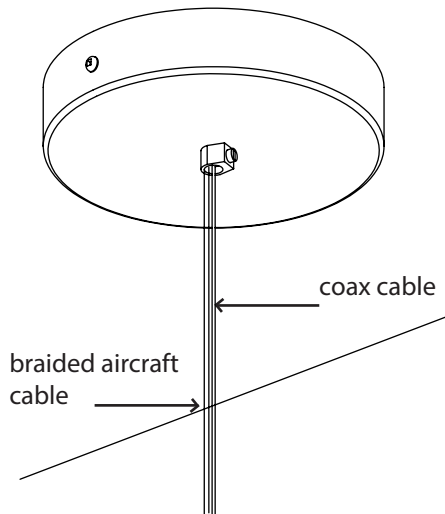


Coax cable requires stripping of outer and inner coatings to access positive and negative connection wires

dimensions + installation

SINGLE FIXTURE CANOPY CONNECTION

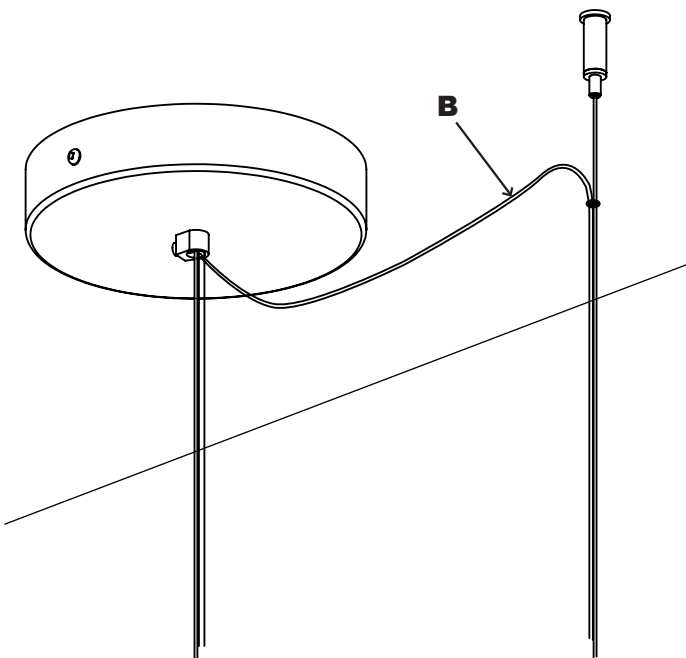
Coax runs into canopy



MULTIPLE FIXTURES CANOPY CONNECTION

A Coax runs into canopy

B Second coax runs up to ceiling and drops over to enter power feed canopy

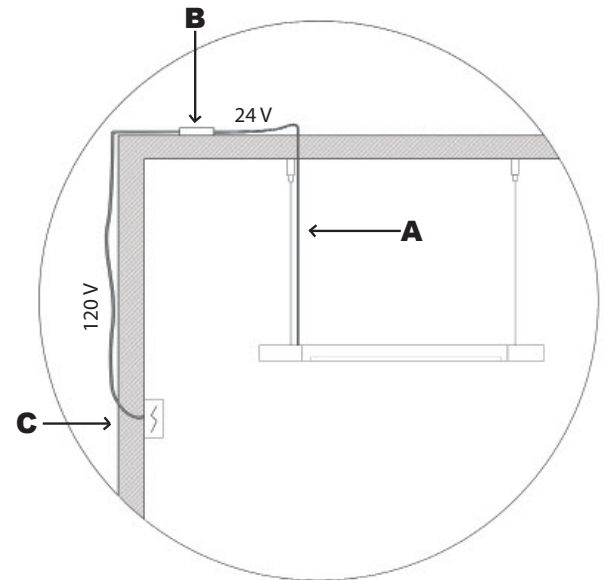


SINGLE FIXTURE CONNECTION INTO REMOTE DRIVER

A Coax from fixture runs up into ceiling to connect to remote driver (B)

B Remote driver (supplied w/ fixture) installed in ceiling

C Remote driver connects to power supply



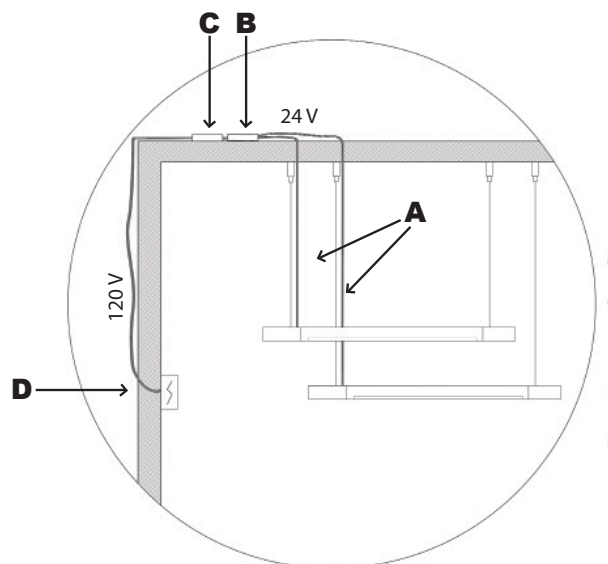
MULTIPLE FIXTURES INTO REMOTE DRIVER

A Coax from multiple fixtures runs up into ceiling to connect to remote driver (B)

B Remote driver (supplied w/ fixture) installed in ceiling

C Remote driver (B) connects to remote driver (C)

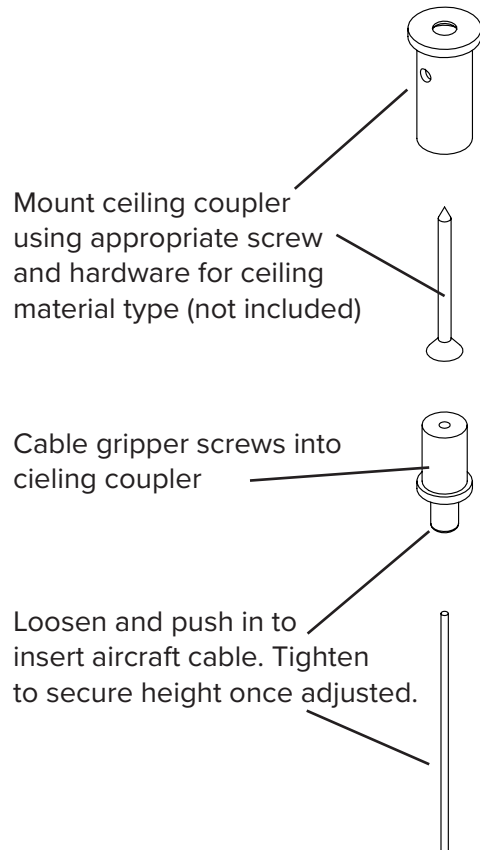
D Remote driver (C) connects to power supply



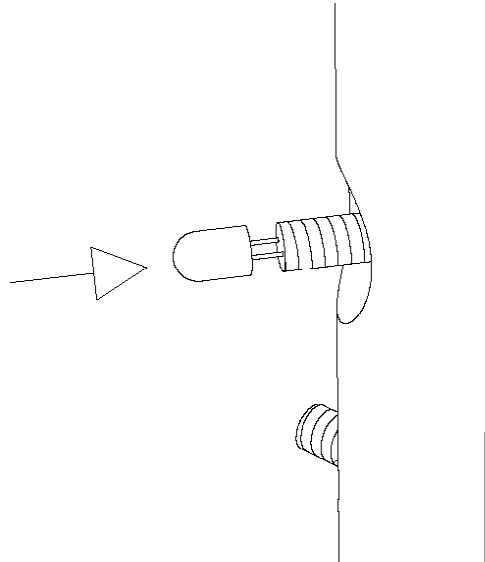
dimensions + installation

WILLOW GLASS ASSEMBLY

PENDANT GRIPPER ASSEMBLY



1. Plug G4 LED light bulbs into sockets



2. Twist glass orbs onto threaded rods

