

PALECEK®

601 PARR BOULEVARD | RICHMOND | CA 94801

PENDANT INSTALLATION INSTRUCTIONS

VERALDI LINEAR CHANDELIER

223279

PROFESSIONAL INSTALLATION REQUIRED

CAUTION: BEFORE INSTALLING FIXTURE, MAKE SURE THE POWER TO THE CIRCUIT IS TURNED OFF AT THE MAIN FUSE BOX / CIRCUIT BREAKER UTILITY BOX.

Important Safety Instructions:



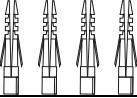

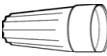
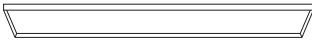
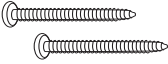




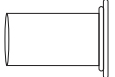
- These instructions are provided for your safety. It is important that they are read carefully before use to ensure safe operation of the product.
- Installation by a licensed professional electrician required.
- THIS PRODUCT MUST BE INSTALLED IN ACCORDANCE WITH THE APPLICABLE INSTALLATION CODES BY A PERSON FAMILIAR WITH THE CONSTRUCTION AND OPERATION OF THE PRODUCT AND THE HAZARDS INVOLVED.
- The lighting fixture is meant for indoor use. It must be connected only to 3-wire, single-phase electrical supply systems (provided with Ground wire or equivalent protection system).
- For your safety, it is strongly recommended that two people install the lighting fixture.
- This fixture has been rated for **(6) X 25 watt maximum Type B bulbs** (not included). To avoid the risk of fire, do not exceed the recommended lamp wattage. Consider LED bulbs if brighter light output is desired.
- The lighting fixture is meant for indoor use, DRY LOCATIONS ONLY.
- **Save these instructions.**

WARNING:

- **To reduce the risk of fire, electrical shock or personal injury, always turn off light fixture and allow it to cool prior to replacing light bulb.**
- **Do not touch bulb when fixture is turned on. Do not look directly at lit bulb.**
- **Keep flammable materials away from lit bulb.**
- **Check the cable properly for any loose or damaged connections.**
- **If the unit is no longer functioning, do not attempt to fix it by yourself. Only a qualified technician is allowed to disassemble and repair.**
- **If the external flexible cable cord of this luminaire is damaged it shall be exclusively replaced by a qualified electrician in order to avoid hazard.**

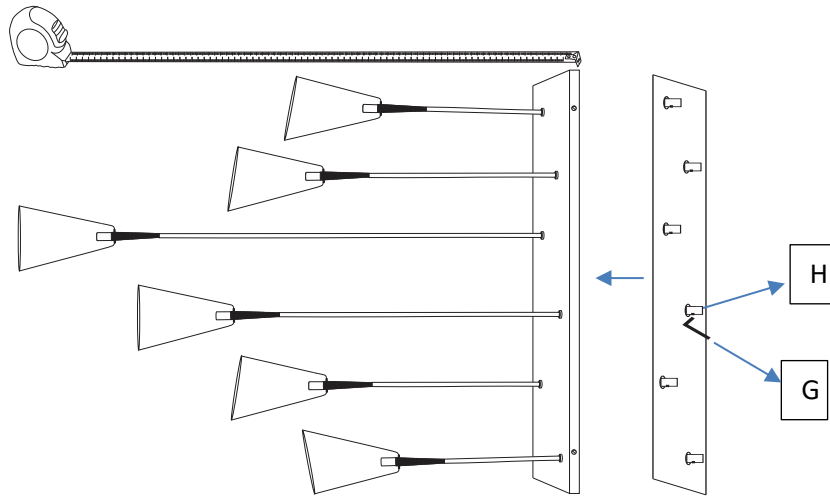
TOOLS REQUIRED (not included):

Ladder, Phillips & Flat Head Screwdriver and Wire Cutter/Stripper & Electrical Tape, Measure Tape.

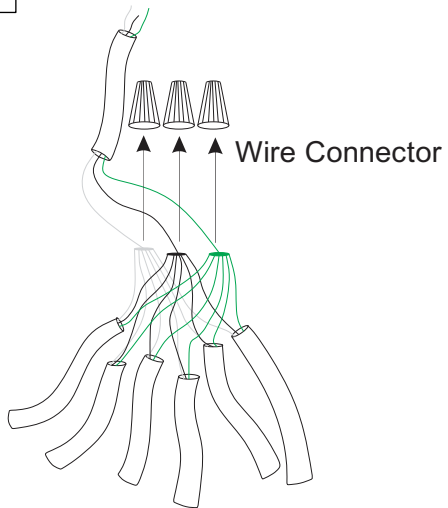
Parts List:			
CODE	IMAGE	DESCRIPTION	QTY.
A		MOUNTING PLATE	1 Pc.
B1		MACHINE SCREWS	2 Pcs.
B2		ANCHOR	8 Pcs.
B3		WOOD SCREWS	8 Pcs.
C		WIRE CONNECTOR	3 Pcs.
D		CANOPY	1 Pc.
E		CANOPY SCREWS	4 Pcs.
F		GLASS CONES	6 Pcs.
G		ALLEN KEY	1 Pc.
H		CORD GRIP	6 Pcs.
I		HOLDER PLATE	6 Pcs.
J		HOLDER COVER	6 Pcs.

Step1: Lay the product on the floor. Decide height of fixture and loosen cord grip (H) with allen key (G) to adjust height use tape measure to help. Pull Cords through canopy to reach desired length and re-tighten the Cord Grip (H) . Leave foam wrapping on glass to protect during installation glass can be removed if needed for ease of installation or replacement by removing the holder plate (i) and Holder Cover (J).

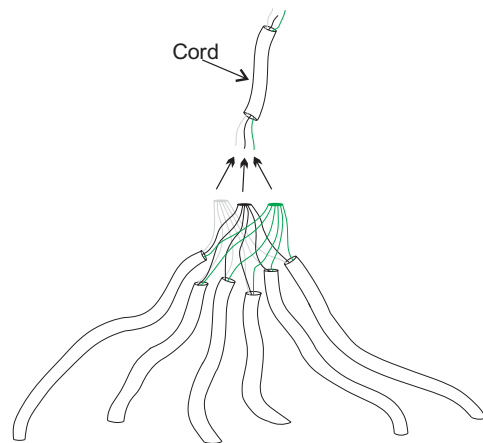
Step-1



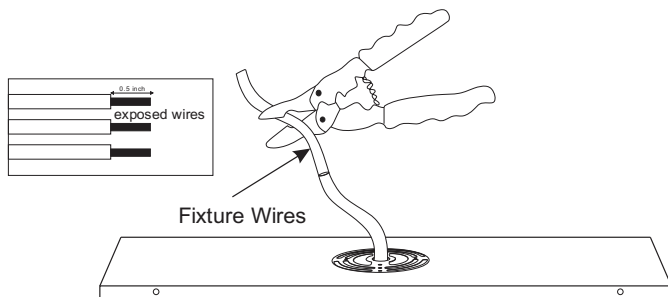
Step-2



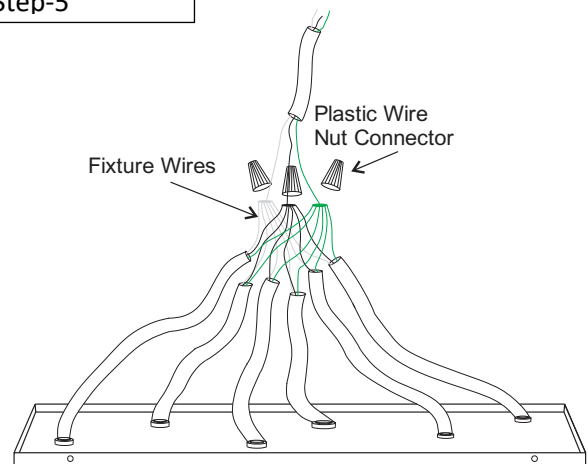
Step-3



Step-4



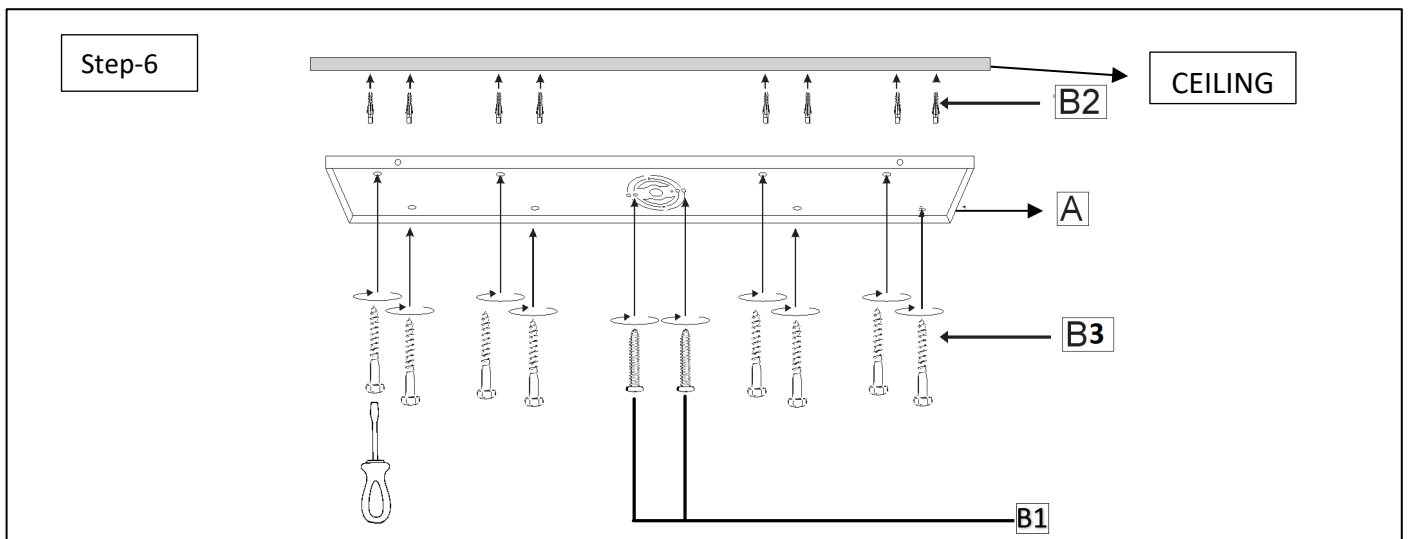
Step-5



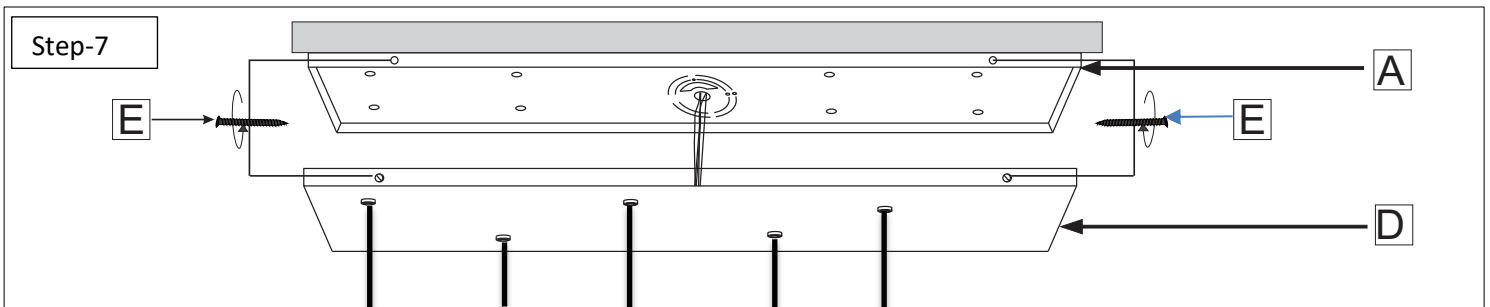
- 2) If Needed carefully open the wire connection cluster.
- 3) Remove electrical tape and wire caps.
- 4) Shorten and cut cords accordingly.
- 5) Reattach Wires by Pairing all neutral wires to neutral wire on exiting cable, all hot wires to hot wire on exiting cable, and all ground wire exiting cable. Tuck excess wire length into canopy.

Establish electrical connections:

- A) Connect the NEUTRAL FIXTURE WIRE to the NEUTRAL JUNCTION BOX WIRE (usually white or ribbed insulation). Fasten each together with a wire connector (C) and wrap the connection with electrical tape. Be sure that no wire strands are exposed.
- B) Connect the HOT FIXTURE WIRE to the HOT JUNCTION BOX WIRE (usually black or smooth insulation). Fasten each together with a wire connector (C) and wrap the connection with electrical tape. Be sure that no wire strands are exposed. **DO NOT REVERSE THE HOT AND NETURAL CONNECTIONS OR SAFETY WILL BE COMPROMISED.**
- C) Connect the GROUND WIRE of the fixture to the GROUND Junction BOX WIRE (usually green or bare) with a wire connector (C) and wrap the connection with electrical tape. Be sure that no wire strands are exposed. If there is no ground wire in the Junction box, use a screwdriver to secure the end of the fixture ground wire to the GREEN screw located on the Mounting Plate (A).

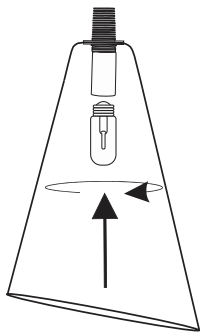


- 6) Using the mounting plate as a template, drill eight holes and insert the 8X anchors (B2) Place the mounting plate (A) Flat against the ceiling and attach to junction box using the 2 Machine screws (B1). Insert the remaining wood screws (B3) into the anchors (B2)



7) Hold canopy (D) up to the mounting plate (A). Use Canopy Screws (E) to attach the Canopy (D) to mounting Plate (A)

Step-8



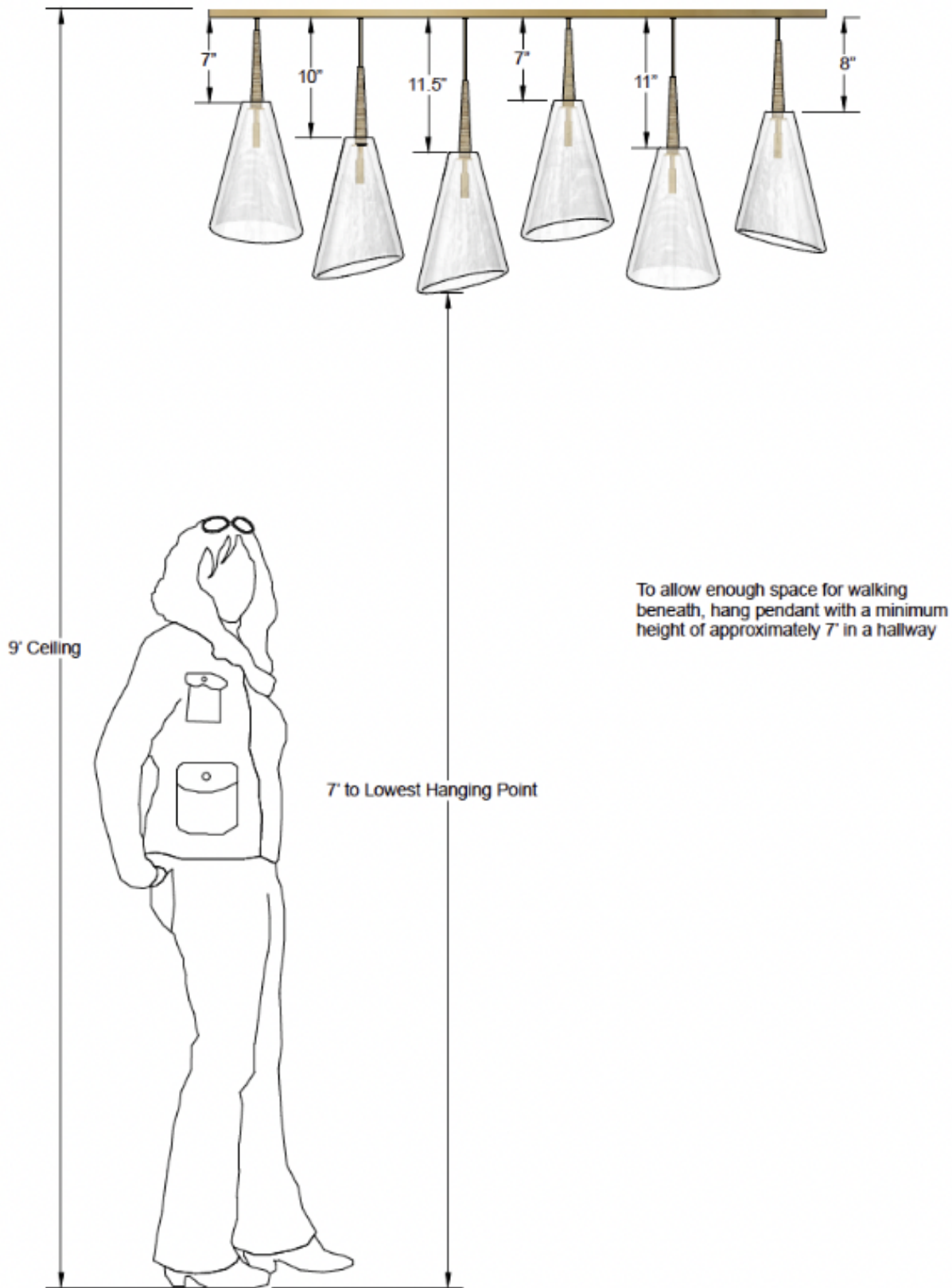
8). Insert the Bulbs (6) X 25 Watt max Type B into socket as shown in picture.

DO NOT EXCEED THE RECOMMENDED WATTAGE. Consider LED bulbs if brighter light output is desired.

9). Restore power to ceiling outlet junction box and test fixture.

10) Installation is complete.

HANGING RECOMMENDATIONS



Hanging Height Above a Walkway, 9' Ceiling

HANGING RECOMMENDATIONS

T. 800.274.7730 | F. 510.234.7234 | PALECEK.COM

9' Ceiling



Above a dining table or kitchen island, leave about 30\"-36\" of clearance above the height of the table or island to the lowest point of the pendant

Aprox 36"

30"



Hanging Height Above a Dining Table, 9' Ceiling

Care Instructions:

- Do not use abrasive cleaning solution as it may cause damage to the fixture's finish.
- Wipe clean with a soft, dry cloth or static duster.