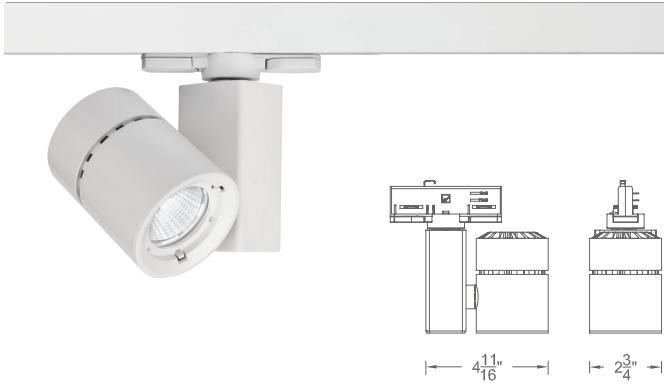


# EXTERMINATOR II

## W Track Luminaire - 1023

# WAC



Fixture Type:

Catalog Number:

Project: \_\_\_\_\_

Location: \_\_\_\_\_

### PRODUCT DESCRIPTION

Exterminator II offers superior light output in a small, unobtrusive design. Developed for upscale residential and commercial environments.

### FEATURES

- Accommodates one lens accessory and one glare control accessory
- 365° horizontal rotation and 180° vertical aiming
- 50,000 hour rated life
- 5 year WAC Lighting product warranty

### SPECIFICATIONS

- Construction:** Die-cast aluminum with removable front cap for easy change of lenses or accessories
- Power Consumption:** 1023S: 22W; 1023N/F: 24W
- Light Source:** High output COB LED
- Input:** WTK 120VAC; WHK 277VAC 50/60 Hz
- Dimming:** WTK: 100%-1% Electronic Low Voltage (ELV), and TRIAC; WHK: 100%-1% ELV
- Finish:** Powder coated Black and White
- Standards:** ETL&cETL Dry Location Listed, Energy Star® 2.0 rated, Title 24 JA8 Compliant.

### ORDER NUMBER

System	Beam	Color Temp	CRI	Lumens	CBCP	Finish
WTK 120V WHK 277V	1023S 12°	827 2700K 85 1545 11625				BK Black WT White
		927 2700K 90 1275 9600				
		830 3000K 85 1640 12350				
		930 3000K 90 1335 10030				
		835 3500K 85 1680 12650				
		840 4000K 85 1690 12725				
		1023N 21°	827 2700K 85 2115 9810			
	927 2700K 90 1750 8100					
	830 3000K 85 2250 10425					
	930 3000K 90 1825 8465					
	835 3500K 85 2305 10675					
	840 4000K 85 2315 10730					
	1023F 39°		827 2700K 85 2045 4575			
		927 2700K 90 1690 3780				
		830 3000K 85 2175 4860				
		930 3000K 90 1765 3950				
		835 3500K 85 2225 4980				
		840 4000K 85 2235 5000				

### LENS ACCESSORIES

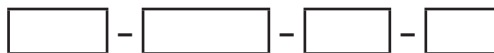
LENS-16-AMB	Amber
LENS-16-BLU	Blue
LENS-16-GRN	Green
LENS-16-RED	Red
LENS-16-UVF	UV Filter
LENS-16-FR	Frosted
LENS-16-SPR	Spread
LENS-16-BEL	Beam Elongating

### GLARE CONTROL - CROSS LOUVER

LENS-16P-CRL-BK	Black
LENS-16P-CRL-WT	White

### GLARE CONTROL - SNOOT

LENS-16-SNOOT-BK	Black
LENS-16-SNOOT-WT	White



Example: **WTK-1023N-930-WT**

wacighting.com  
Phone (800) 526.2588  
Fax (800) 526.2585

Headquarters/Eastern Distribution Center  
44 Harbor Park Drive  
Port Washington, NY 11050

Central Distribution Center  
1600 Distribution Ct  
Lithia Springs, GA 30122

Western Distribution Center  
1750 Archibald Avenue  
Ontario, CA 91761