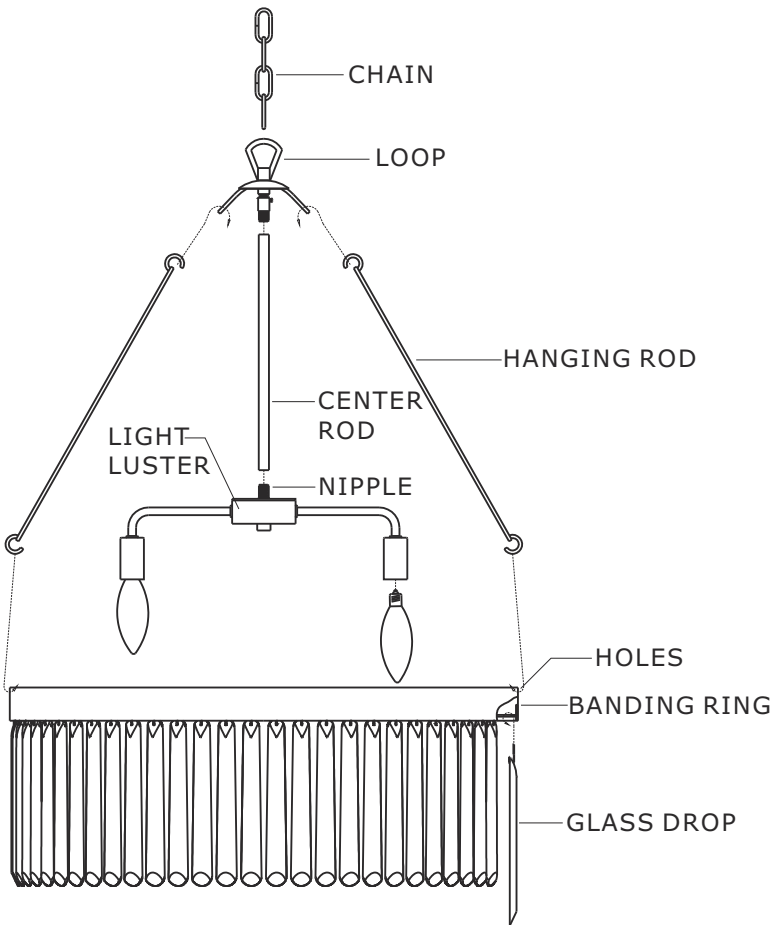


CRYSTORAMA

LIGHTING THE WAY FOR SIXTY YEARS

ASSEMBLY INSTRUCTION MODEL#EMO-5406-MG



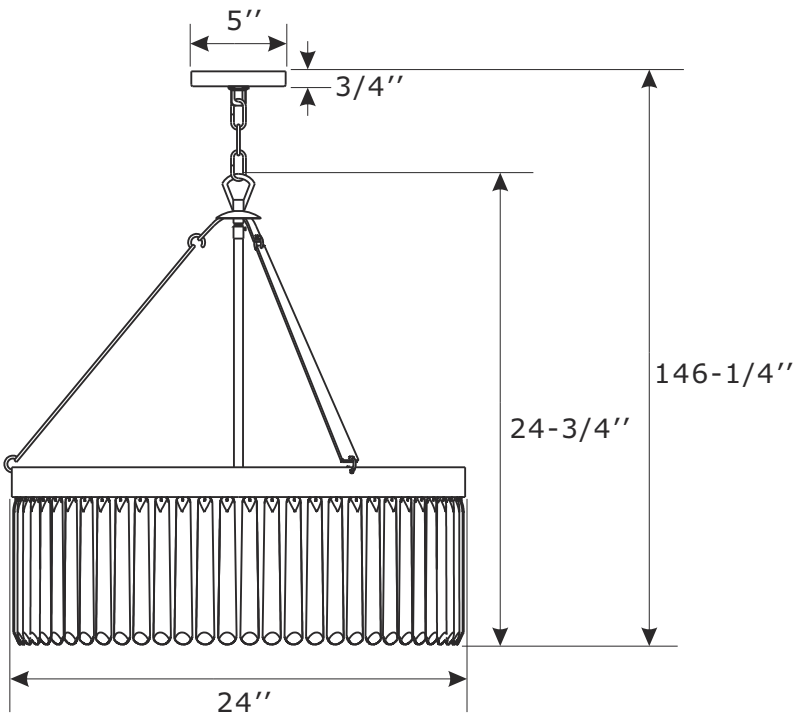
All electrical components must be installed by a licensed electrician in accordance with the National Electric Code and the appropriate local electrical codes.



You will need 8- Candelabra Base Bulb
40 Watts Recommended 60 Watts Max.
USE LED BULBS FOR EXTENDED USE
This fixture is Damp rated

How to install

1. Slip the center rod along wire and thread onto the nipple located on the top of the light cluster.
2. Slip the loop assembly along wire and thread into the center rod.
3. Connect one end of the hanging rod into the hole of the banding ring. Connect the other end of it onto the loop assembly.
4. Hang glass drop to the banding ring.
5. Install the bulbs(not included) into the socket.



(W1"xL7-7/8")x68sets

WARNING: This product can expose you to Lead which is known to the state of California to cause cancer and/or birth defects or reproductive harm. For more information go to www.P65Warnings.ca.gov

CRYSTORAMA

LIGHTING THE WAY FOR SIXTY YEARS

ASSEMBLY INSTRUCTION MODEL#EMO-5406-MG

Part Number

Part Numbers

- A. (1)-Mounting hardware
- B. (1)-Canopy W5''xH3/4'' #XRF5406MGCAN5IN
- C. (1)-Collar ring
- D. (1)-Collar loop #XRF5406MGLOOP
- E. (1)-Chain -L120'', 3.8mm thick #XRF5406MGCHA3.8MM
- F. (1)-Loop assembly
- G. (1)-Center rod W1/2''xL12-1/4'' #XRF5406MGROD12.25IN
- H. (3)-Hanging rod W1''xL16-1/8'' #XRF5406MGHROD16.125IN
- I. (8)-Socket
- J. (1)-Banding ring #XRF5406MGRING
- K. (68)-Glass drop W1''xL7-7/8''

