

Installation Instructions

Banded Flush Mount 12-4394

A301

Page 1 of 2

CAUTION: FAILURE TO INSTALL THIS FIXTURE PROPERLY MAY RESULT IN SERIOUS PERSONAL INJURY OR DEATH AND PROPERTY DAMAGE. We recommend installation by a licensed electrician.

This product must be installed in accordance with applicable installation code(s), by a person familiar with the construction and operation of the product and the hazards involved.*

Caution: Do not exceed maximum wattage noted on fixture. Use only recommended bulbs with fixture.

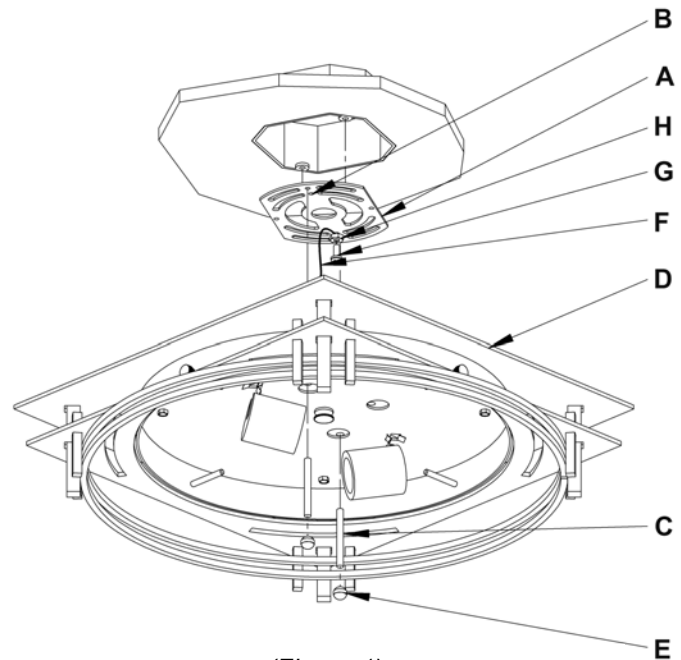
To Install Fixture (Figure 1)

Component Parts

- A Crossbar
- B Ground Screw
- C Threaded Stud (2)
- D Fixture
- E Knurl Ball (2)
- F Safety Cable
- G Screw
- H Hex Nut

Caution: Be sure power is off at the main breaker box prior to installation

1. Carefully unpack the fixture from the carton.
2. Thread studs (C) through appropriate holes in cross bar (A) to match hole centers in fixture (D). Move ground screw (B) to another available threaded hole if necessary.
3. Using two machine screws (not provided) fasten cross bar (A) to the electric box using outer oval holes to orient fixture to desired hanging position.
Note: A new electric box comes with screws. When replacing an existing fixture, retain the screws for use with the new fixture.
4. Raise fixture (D) to ceiling. Attach safety cable (F) from the fixture (D) to the crossbar using hex nut (H) and screw (G).
5. Using suitable wire connectors (not provided), connect fixture wires to supply wires (white to white or ribbed and black to black or smooth. Connect all ground wires to green ground screw (B).
Caution: Make sure wire connectors are twisted on securely, and no bare wire is exposed.
6. Slide fixture (D) over threaded studs and push firmly to ceiling, making sure that no wires are pinched between fixture and ceiling. Fasten with knurl balls (E). Be sure studs (C) are fully seated in the knurl balls (E).
7. Refer to instructions on next page to install glass & bulbs.
8. Restore electricity at main breaker.



(Figure 1)

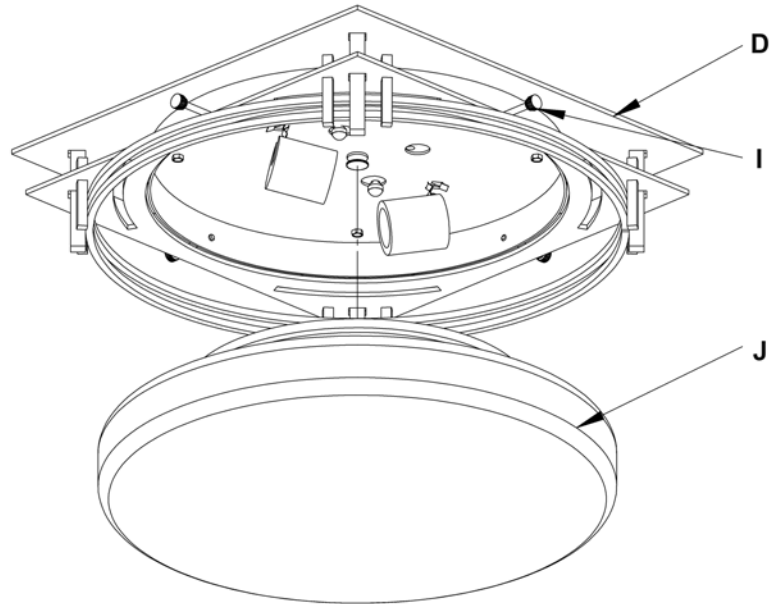
(continued)

To Install Glass (Figure 2)

Component Parts

- D Fixture
- I Thumb Screws (4)
- J Glass

1. Install light bulbs (not provided).
2. Insert the glass (J) into the fixture (D) and secure by tightening the four thumb screws (I) against the glass.



(Figure 2)

If you need further assistance, or find that you are missing any parts, please contact the dealer from which you purchased this product. We hope you enjoy your fixture!

* Hubbardton Forge will not be liable for injury or damage caused by improper installation, lamping or use of this fixture.