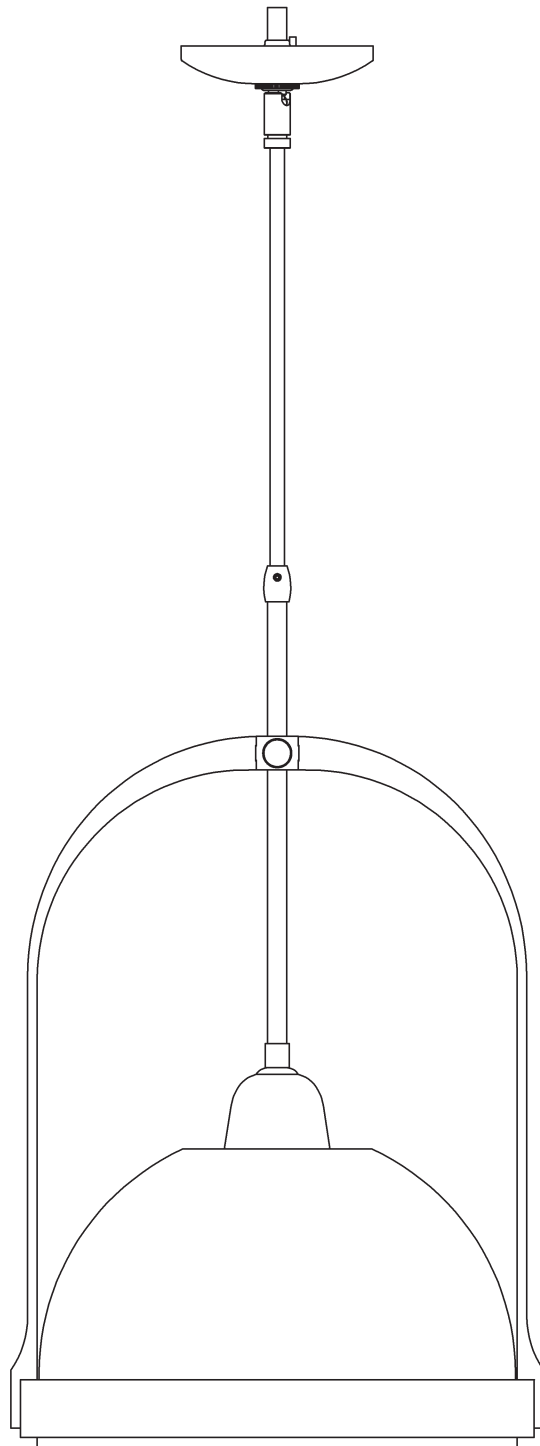


ASSEMBLY & INSTALLATION INSTRUCTIONS

A646

Atlas Pendant w/ Accent 187462



Component Parts

- A Fixture**
- B Crossbar**
- C Ground Screw**
- D Jam Nut**
- E Canopy**
- F Canopy Ring**
- G Canopy Pipe Assembly**
- H Fixture Coupling**
- I Nipple**
- J Fixture Pipe**
- K Clutch**
- L Set Screw**
- M Plastic Sleeve**
- N Thumb Screw**
- O Diffuser**
- P Metal Shade**
- Q Socket Cup**



ASSEMBLY & INSTALLATION INSTRUCTIONS

A646

Atlas Pendant w/ Accent 187462

CAUTION: FAILURE TO INSTALL THIS FIXTURE PROPERLY MAY RESULT IN SERIOUS PERSONAL INJURY OR DEATH AND PROPERTY DAMAGE. We recommend installation by a licensed electrician. This product must be installed in accordance with applicable installation code(s), by a person familiar with the construction and operation of the product and the hazards involved.*

Caution: Do not exceed maximum wattage noted on fixture. Use only recommended bulbs with fixture.

Please Note: After installation extra hardware and accessories are possible; our kits are used on multiple products.

To Install Fixture (Figures 1 & 2, next page)

CAUTION: BE SURE POWER IS OFF AT THE MAIN BREAKER BOX PRIOR TO INSTALLATION.

1. Carefully unpack fixture (A) from the carton.
2. Thread the jam nut (D) and crossbar (B) onto threaded nipple (I). Leave parts loose. Threaded nipple is attached to canopy pipe assembly (G).
3. Using two machine screws (not provided), temporarily fasten the crossbar (B) to the electric box.
Note: A new electric box comes with screws. When replacing a fixture, retain the existing screws for use with the new fixture.
4. Adjust the length of the threaded nipple (I) in crossbar (B) so the canopy ring (F) will hold canopy (E) against the ceiling with no threads showing for best appearance. When the correct adjustment is established, tighten jam nut (D) against the crossbar to hold adjustment.
5. Remove the crossbar (B) from the electrical box and proceed with assembly instructions.
6. Locate fixture pipe (J) with clutch (K) attached. Unscrew and remove clutch (K) and plastic sleeve (M).
7. To keep from scratching fixture pipe (J) during assembly, remove thumb screw (N) from fixture coupling (H) and retain for later use.
8. Slide fixture pipe (J) up through fixture coupling (H). Slide clutch (K) and sleeve (M) over wires and back onto fixture pipe (J).
9. Carefully slide canopy ring (F) and canopy (E) over fixture pipe (J) until it rests on the fixture coupling (H). Make sure the smaller diameter side of canopy ring is oriented up.
10. Slide the wires from the fixture pipe (J) through the canopy pipe assembly (G).
11. Unscrew the clutch (K) from the fixture pipe (J); slide it across the wires and onto the canopy pipe assembly (G). It may be necessary to loosen the set screw (L) in the clutch (K). Follow this with the plastic sleeve (M), oriented so the tapered end nests in the clutch (K) (Figure 2).
12. Slide the canopy pipe assembly (G) into the fixture pipe (J) as far as necessary to give you the total length of the fixture which you desire. Be careful not to scratch the pipe surface and to pull excess wire up through the canopy pipe assembly (G). There must be a minimum 1-1/2" of inner pipe inside the outer pipe. Screw clutch (K) back onto fixture pipe (J).
13. Tighten the set screw (L) in clutch (K) firmly with hex wrench provided.
14. Using two machine screws (not provided), fasten the crossbar (B) to the electric box.

continued...

ASSEMBLY & INSTALLATION INSTRUCTIONS

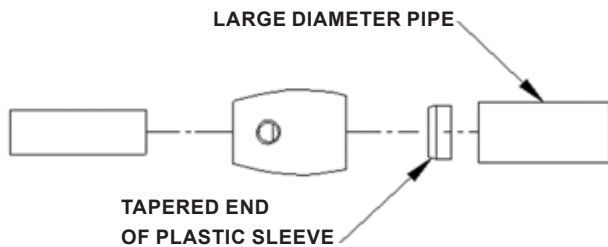
A646

Atlas Pendant w/ Accent 187462

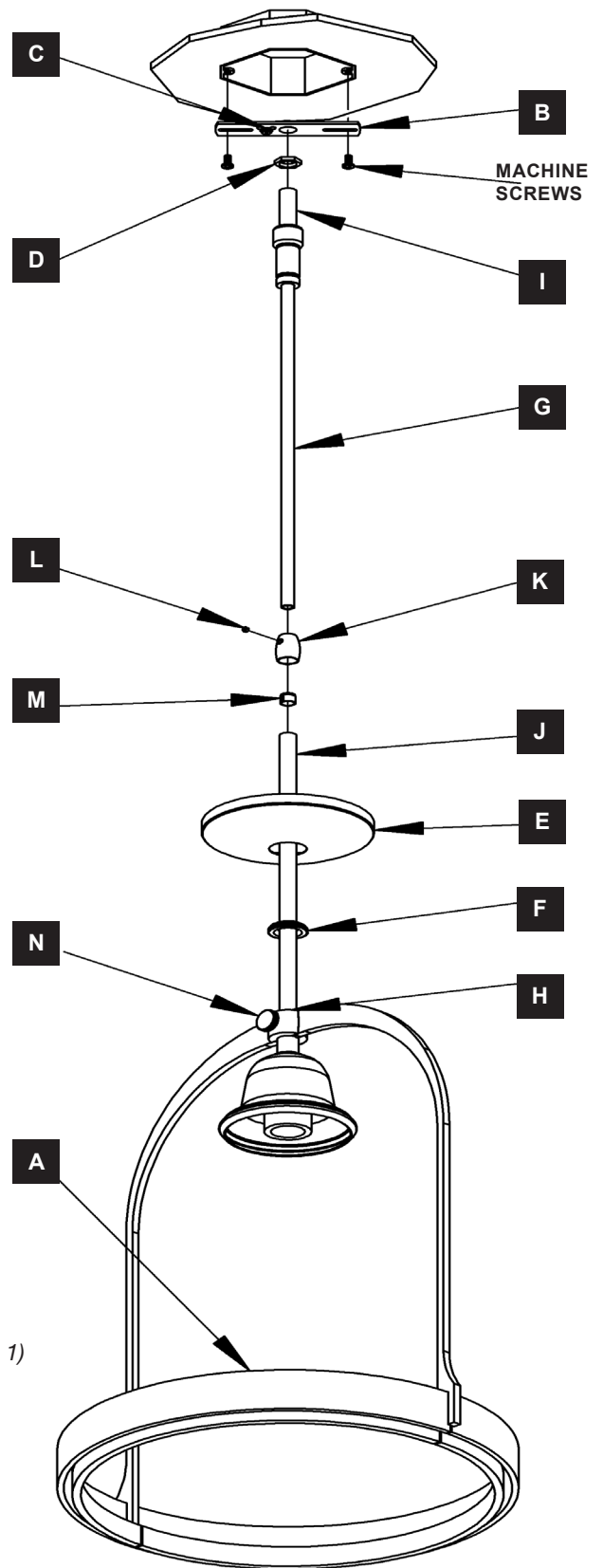
15. Using suitable wire connectors (not provided) connect fixture wires to supply (white to white and black to black). Attach a pigtail lead to the crossbar ground screw (C). Holding canopy (E) close to the ceiling connect all ground wires (bare copper or green to bare copper or green). Push wires back into electrical box.

CAUTION: MAKE SURE WIRE CONNECTORS ARE TWISTED ON SECURELY AND NO BARE WIRE IS EXPOSED.

16. Push canopy (E) against ceiling and secure with canopy ring (F).
17. See 'To Install Glass' on following page to complete installation.



(Figure 2)



(Figure 1)

ASSEMBLY & INSTALLATION INSTRUCTIONS

A646

Atlas Pendant w/ Accent 187462

To Install Glass & Complete Installation (Figures 3 & 4)

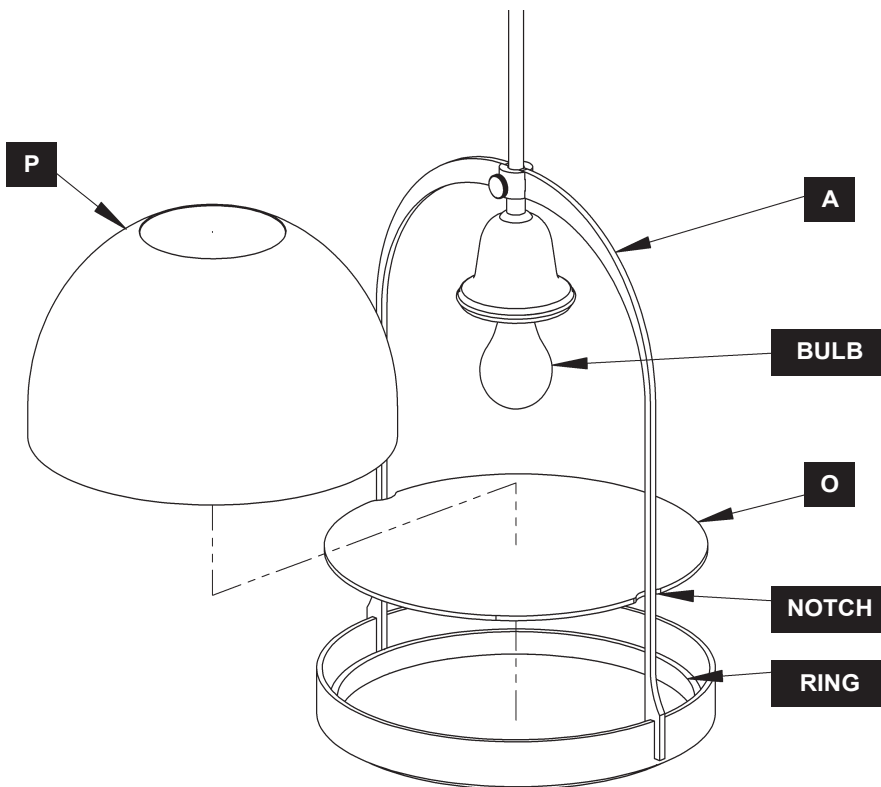
1. Install bulb (not included).
2. Place diffuser (O) into fixture (A). Orient notches to line up with side bars. Lower diffuser (O) until it rests on ring.
3. Align metal shade (P) as shown in Figure 3. Slide metal shade (P) between side fixture bars and lower until resting on diffuser (O).
4. To raise fixture (A), slide fixture coupling (H) up fixture pipe (J) until socket cup (Q) is slightly inside hole in the metal shade (P). See illustration on first page for recommended position.

Note: Do not push on bottom of diffuser when trying to raise fixture.

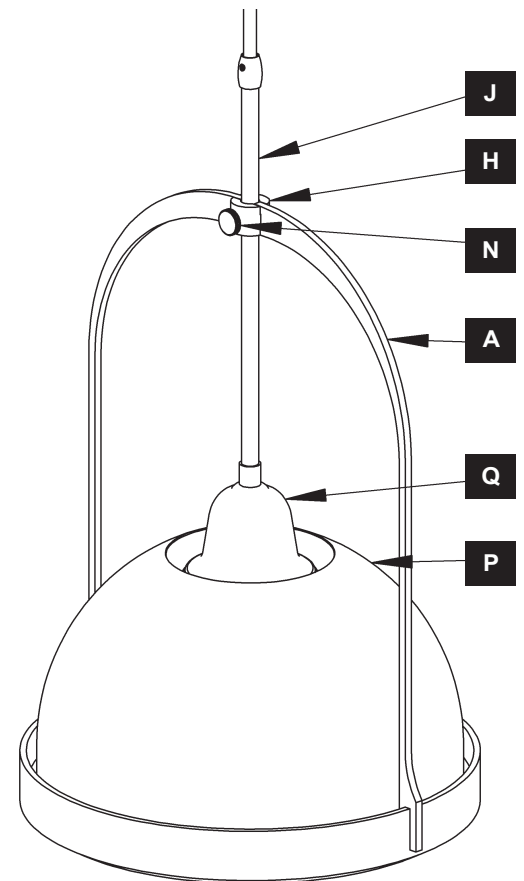
5. Once desired height is reached, thread thumb screw (N) into coupling (H) and tighten firmly to lock adjustment.

CAUTION: BE SURE TO TIGHTEN THUMB SCREW FULLY SO FIXTURE DOES NOT SLIP DOWN.

6. Restore electricity at main breaker.



(Figure 3)



(Figure 4)

If you need further assistance, or find that you are missing any parts, please contact the dealer from which you purchased this product. We hope you enjoy your fixture!

*** Hubbardton Forge will not be liable for injury or damage caused by improper installation, lamping or use of this fixture.**