

Installation Instruction

B9

For Direct Wire Wall Mounted Wet Location Fixtures - B

CAUTION: FAILURE TO INSTALL THIS FIXTURE PROPERLY MAY RESULT IN SERIOUS PERSONAL INJURY OR DEATH AND PROPERTY DAMAGE. We recommend installation by a licensed electrician.

This product must be installed in accordance with applicable installation code(s), by a person familiar with the construction and operation of the product and the hazards involved.*

Caution: Do not exceed maximum wattage noted on fixture. Use only recommended bulbs with fixture.

For fixtures requiring assembly, please refer to assembly instructions before installation.

Caution: Our fixtures are designed to be mounted on standard wall surfaces. We do not recommend mounting this fixture on a mirror or other non-standard surface.

Component Parts

- A Fixture
- B Knurled Balls (2)
- C 8-32 Studs
- D Cross Bar
- E Caulking Lip

To Install

Caution: Be sure power is off at the main breaker box prior to installation.

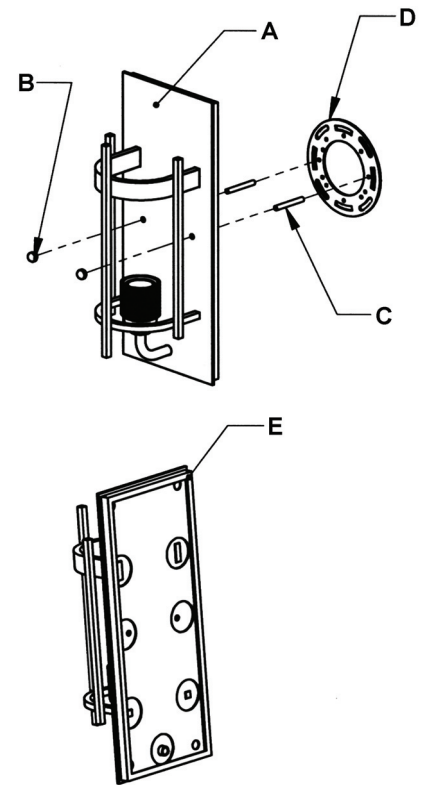
1. Carefully unpack the fixture from the carton.
2. Using two machine screws (not provided) attach cross bar (D) to the electric box using outer oval holes to orient fixture.
Note: A new electric box comes with screws. When replacing a fixture, retain the screws for use with the new fixture.
3. Thread the two studs (C) into the appropriate holes in the crossbar (D). Adjust the studs to proper length to ensure the fixture will fit snugly to the wall.
4. Using suitable wire connectors (not provided), connect the fixture wires to the supply wires, (white to white, black to black, bare copper or green to bare copper or green). If the fixture is wired with twin lead lamp cord, connect the ribbed side to white, and the smooth side to black.

Caution: Make sure wire connectors are twisted on securely and no bare wires are exposed.

5. Apply a generous bead of a suitable caulking material to caulking lip (E) on the fixture.
6. Carefully tuck all wires behind the fixture, place fixture firmly against the wall and fasten with knurled balls (B). To ensure a water tight seal, apply a thin bead of caulking around entire perimeter of the fixture (E).
7. Install light bulb(s) (not provided) and glass.

Note: The glass tube is mouth blown. Minor irregularities including being slightly out of round are normal. It may be necessary to rotate the glass in relation to the fixture to achieve a good fit.

8. Restore electricity at the main breaker.



These illustrations represent a typical fixture and may not match every style.

If you need further assistance, or find that you are missing any parts, please contact the dealer from which you purchased this product. We hope you enjoy your fixture!

* Hubbardton Forge will not be liable for injury or damage caused by improper installation, lamping or use of this fixture.