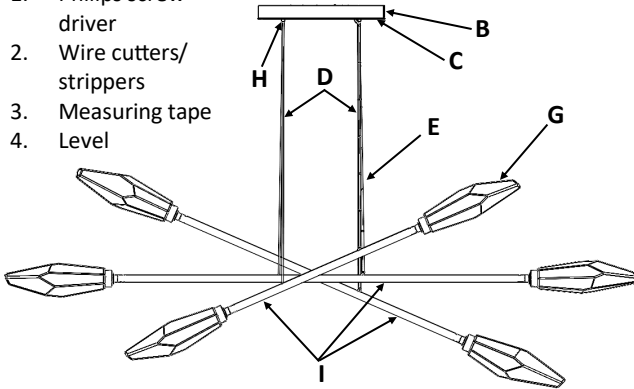


Included Components

- | | |
|-------------------------------------|-------------------|
| A. Mounting Packet Z
(Not Shown) | F. Cable Clips |
| B. Canopy | G. Glass Shades |
| C. Cover Plate | H. Cable Grippers |
| D. Suspension Cable | i. Cap |
| E. Power Cable | ii. Body |
| | I. Lightbody |

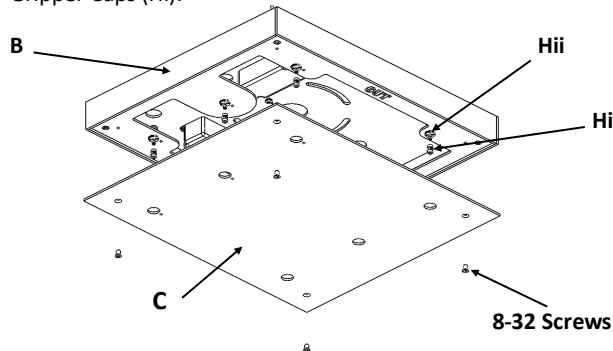
Required Tools (Not Provided)

1. Philips screw driver
2. Wire cutters/ strippers
3. Measuring tape
4. Level



Assembly Instructions

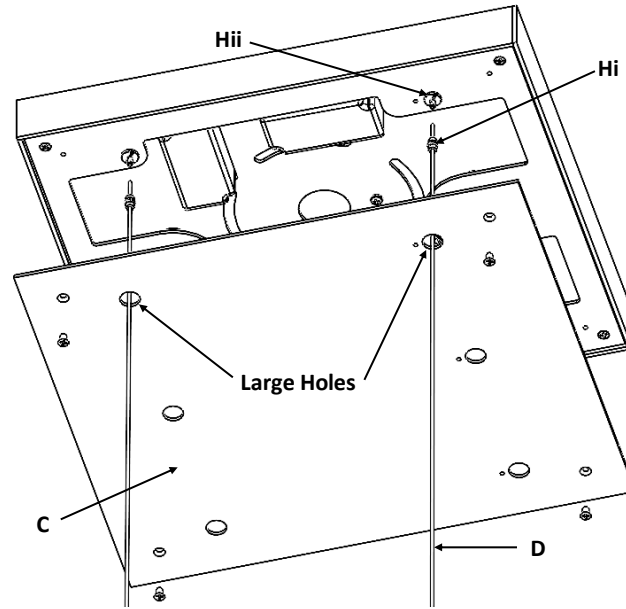
Step 1: Remove Cover Plate (C) from Canopy (B) by unscrewing the 4X No. 8-32 Screws. The Cover Plate (C) is attached to the Canopy (B) by two short sections of cable. These “cover plate hangers” are meant to aid install. If the Cover Plate (C) is removed from the hangers (not recommended), be sure to align the Small Holes in the Cover Plate (C) with the Small Holes in the Canopy (B) (see Step 4 illustration). Unscrew Cable Gripper Caps (Hi).



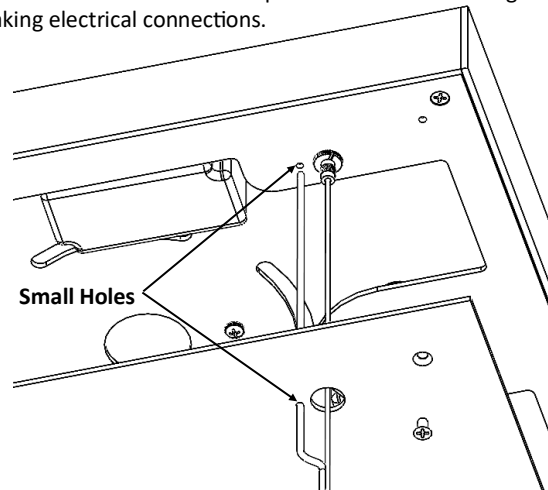
Step 2: Mount Canopy (B) to ceiling using the appropriate Hardware Packet (A) and included instructions. Leave Cover Plate (C) hanging.

HARDWARE PACKET Z: MOUNTS TO BUILDING STRUCTRE

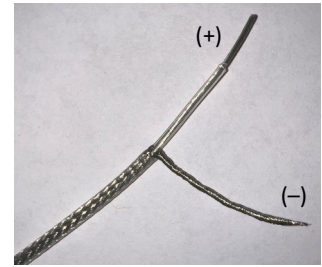
Step 3: Start with a single lightbody (I). Pass the Suspension Cables (D) through the large holes in the Cover Plate (C), then the Caps of the Cable Grippers (Hi). Finally, insert the Suspension Cables (D) into the Cable Gripper Body (Hii). Adjust the height of each cable to achieve the desired lightbody (I) height/angle. Screw the Cable Gripper Cap (Hi) back onto the Cable Gripper Body (Hii). **THE GLASS SHADES SHOULD NOT BE INSTALLED WHILE HANGING THE FIXTURE.**



Step 4: Next, pass the Power Cable (E) through the small hole in the Cover Plate (C) and the small hole in the Canopy (B). Keep inserting until the Power Cable (E) is taught and parallel with the adjacent suspension cable. Tie an overhand knot in the Power Cable (E) inside the Canopy (B) just above the cable clearance hole. Cut off excess power cable while leaving ~8” for making electrical connections.



Step 5: Remove the outer sheathing of the Power Cable (E) and twist the outer conductor into a wire. This should be connected to the Black (-) driver lead with a wire nut. Strip the sheathing off the inner conductor. This should be connected to the Red (+) driver lead with a wire nut. Wrap each connection individually with electrical tape to ensure no portion of the conductor is exposed.

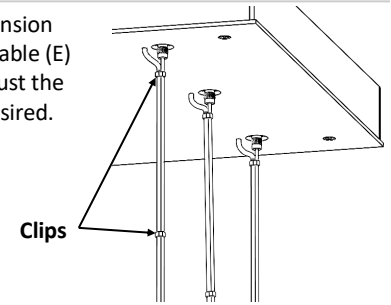


Step 6: Repeat steps 3, 4, and 5 for remaining lightbodies (I). Connect each lightbody (I) to a different LED Driver.

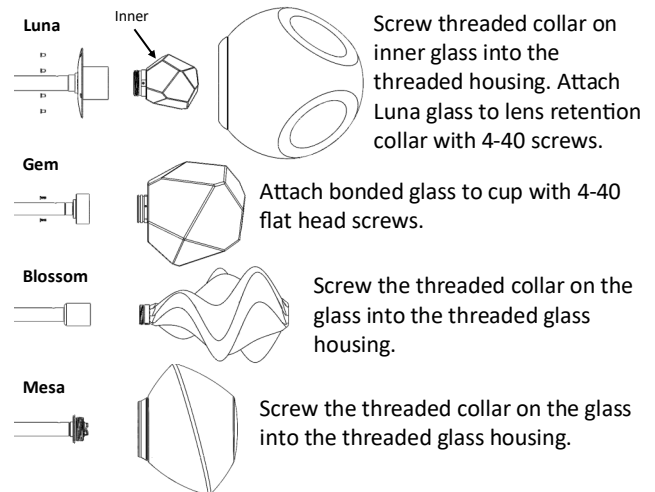
Step 7: Make parallel electrical connections between source power and LED drivers (white and black wire leads) located in the canopy using the provided wire nuts.

Step 8: Re-attach the Cover Plate (C) to the Canopy (B) with No. 8-32 screw.

Step 9: Secure the Suspension Cable (D) to the Power Cable (E) using Cable Clips (F). Adjust the spacing of the clips as desired.



Step 10: Install Glass Shades.



HAMMERTON STUDIO

When we introduced the Hammerton Studio brand in 2014, we saw an enormous opportunity to raise the bar in decorative lighting. In design, we wanted to lead rather than follow. In construction, we wanted to showcase Hammerton's renowned reverence for time-honored artisan craftsmanship and authentic materials. In performance, we wanted to provide highly reliable solutions that far exceeded industry norms for aesthetics, function, and quality. Based on the brand's dramatic growth and customer feedback, it's clear we are on the right track.

EXTRAORDINARY DESIGN VALUE IN ARTISAN GLASS & METALWORK

Hammerton began in 1995 as a blacksmith shop, but we've come a long way since then. Today we employ a world class team of metal artisans who are disciplined in a broad range of fabrication techniques and processes. We've also added in-house capabilities in blown, cast and kiln-fused glass, and today Hammerton operates one of the largest artisan glass production facilities in the U.S. With deep design and fabrication expertise at the intersection of glass and metalwork, we're laying the foundation for a new era of lighting innovation.

THE HAMMERTON HERITAGE

Our Hammerton Studio brand stands on the shoulders of more than a quarter century of experience pushing the boundaries of innovative custom lighting design. Each Hammerton Studio collection has been inspired by custom work our company has brought to life in collaboration with leading interior design professionals over the years. Built to your specifications, every fixture reflects the uncompromising design and attention to detail that is distinctly Hammerton.

A REPUTATION REFLECTED BY OUR CLIENTS

Hammerton fixtures are as extraordinary as the clients who purchase them, including Forbes 400 members, Fortune 500 leaders, award-winning entertainers, fashion and interior designers, sports legends, and leading luxury hospitality brands.

Hammerton Inc.
217 Wright Brothers Drive
Salt Lake City, UT 84116

801-973-8095 EXT: 4
www.hammerton.com

ONE YEAR LIMITED WARRANTY

Hammerton, Inc. (Hammerton) warrants the original owner that this product will be free of defects in material or workmanship for the period of one year from the date of original purchase from Hammerton, if (i) the allegedly defective product has not been abused, misused or improperly maintained and or repaired during the warranty period, (ii) the defect is not caused by water damage/flooding, fire, explosion, earthquakes or similar phenomenon, and (iii) the defect is not caused by improper installation (unless installed by Hammerton).

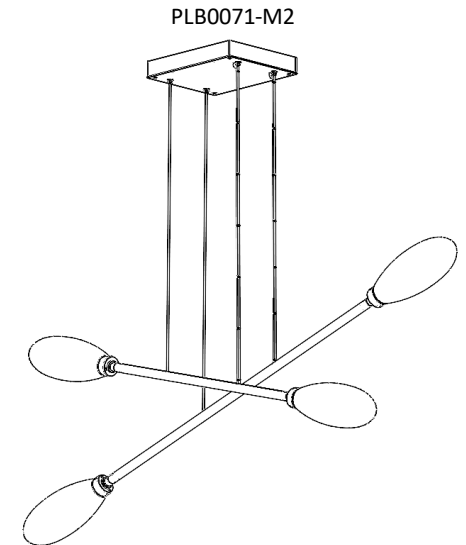
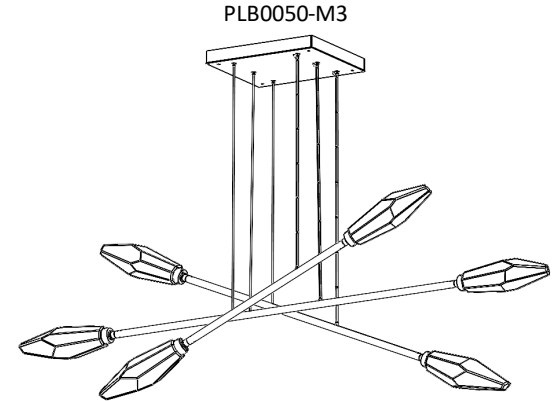
In order to obtain warranty service, the user must first complete a warranty claims form. Hammerton will determine if the product will be inspected on site or returned to Hammerton. If after the inspection Hammerton finds that the product is defective as claimed, Hammerton will, at its option, repair or replace the product free of charge, or Hammerton may also agree to outsource necessary repair work locally using local contracted labor. Prior to any outsourcing of repair work regarding this fixture, a Work Authorization Form must be signed by both the client and Hammerton Representative. Failure to do so may result in a denial of reimbursement. Hammerton warrants any replaced or repaired products for ninety days after shipment or through the end of the original warranty period, whichever is longer. All products or parts that are replaced become the property of Hammerton.

No representative or employee of Hammerton is authorized to make any modification or addition to this limited warranty.

TO THE FULL EXTENT ALLOWED BY LAW, THE FOREGOING WARRANTY AND REMEDIES ARE EXCLUSIVE, AND HAMMERTON EXPRESSLY DISCLAIMS ALL OTHER WARRANTIES, EXPRESSED OR IMPLIED, INCLUDING WITHOUT LIMITATION THE IMPLIED WARRANTIES OF MERCHANTABILITY AND FITNESS FOR A PARTICULAR PURPOSE. TO THE FULL EXTENT ALLOWED BY LAW, HAMMERTON EXCLUDES AND DISCLAIMS LIABILITY, WHETHER BASED IN CONTRACT OR TORT (INCLUDING NEGLIGENCE FOR ANY CONSEQUENTIAL, INDIRECT INCIDENTAL OR SPECIAL DAMAGES OF ANY NATURE ARISING OUT OF THE SALE INSTALLATION, MAINTENANCE, USE OR FAILURE OF THIS PRODUCT, EVEN IF HAMMERTON HAS BEEN ADVISED OF THE POSSIBILITY OF SUCH DAMAGES IN ADVANCE, AND HAMMERTON LIMITS ITS LIABILITY TO REPLACEMENT, REPAIR OR REFUND OF THE PURCHASE PRICE PAID, AT HAMMERTON'S OPTION.)

SOME STATES DO NOT ALLOW LIMITATIONS ON HOW LONG AN IMPLIED WARRANTY LASTS AND/OR DO NOT ALLOW THE EXCLUSION OR LIMITATION OF INCIDENTAL OR CONSEQUENTIAL DAMAGES, SO THE ABOVE LIMITATION ON IMPLIED WARRANTY AND INCIDENTAL OR CONSEQUENTIAL DAMAGES MAY NOT APPLY TO YOU. THIS WARRANTY GIVES YOU SPECIFIC LEGAL RIGHTS YOU MAY HAVE OTHER RIGHTS, WHICH VARY FROM STATE TO STATE

Assembly Instructions PLB00XX-M2, PLB00XX-M3



WARNING: FAILURE TO INSTALL THIS FIXTURE PROPERLY MAY RESULT IN SERIOUS PERSONAL INJURY OR DEATH AND PROPERTY DAMAGE.

It is recommended that this product be installed by a licensed electrician.