



# INSTALLATION INSTRUCTIONS

## IMPORTANT SAFETY INSTRUCTIONS

### MESURES DE SECURITE A RESPECTURE

Before assembling your ACCESS LIGHTING fixture, please make sure that you carefully read through this instruction sheet. Save this instruction sheet and refer to it when additions to or changes in the fixture configuration are made.

Lisez attentivement ce manuel d'instructions. Enregistrer cette feuille d'instructions et de s'y référer lorsque les ajouts ou changements dans la configuration de montage sont faites.

CONSULT A QUALIFIED ELECTRICIAN TO ENSURE CORRECT BRANCH CIRCUIT CONDUCTOR.

CONSULTER UN ELECTRICIEN QUALIFIE POUR VOUS ASSURER QUE LES CONDUCTEURS DE LA DERIVATION SONT ADEQUATS

THIS PRODUCT MUST BE INSTALLED IN ACCORDANCE WITH THE APPLICABLE INSTALLATION CODE BY A PERSON FAMILIAR WITH THE CONSTRUCTION AND OPERATION OF THE PRODUCT AND THE HAZARDS INVOLVED.

CE PRODUIT DOIT ETRE INSTALLE SELON LE CODE D'INSTALLATION PERTINENT, PAR UNE PERSONNE QUI CONNAIT BIEN LE PRODUIT ET SON FONCTIONNEMENT AINSI QUE LES RISQUES INHERENTS

**NOTE:** The important safeguards and instructions that appear in this manual are not meant to cover all possible conditions and situations that may occur. It must be understood that common sense, caution and care, are factors that can't be built into any product. These factors must be supplied by the person(s) caring for and operating the fixture.

Read all instructions

Do not install this fixture in hazardous locations.

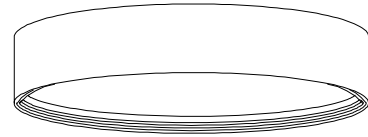
N'installez pas cet appareil dans des emplacements dangereux.

Do not install any fixture assembly closer than 6 inches from any curtain or similar combustible material.

Laisser une distance d'au moins 6 pouces entre ce luminaire et la toute surface combustible.

"WARNING Risk of Fire and Electric Shock."

"CAUTION: Risque d' Incendie et de Choc Electriques."



### COLLECTION

Malaga

### APPLICATION

FLUSH MOUNT

### MODEL NO.

49970LEDD

49971LEDD

### WHAT WE PROVIDE

- Mounting Hardware
- Mounting bracket
- Metal with Acrylic shade
- 1 x Glass plate
- LED

### WHAT YOU NEED

- Screwdriver
- Wire Cutters
- Wiring Supplies as Specified by Electrical Code

### Recommended Dimmers

(ELV) LEVITON Decora DSE06-10Z

(ELV) LUTRON Maestro MAELV-600

(TRIAC) LEVITON Decora Sureslide 6674

(TRIAC) LUTRON Diva DVCL-153P

(TRIAC) LUTRON Skylark CL SCL-153 or SCL-153P

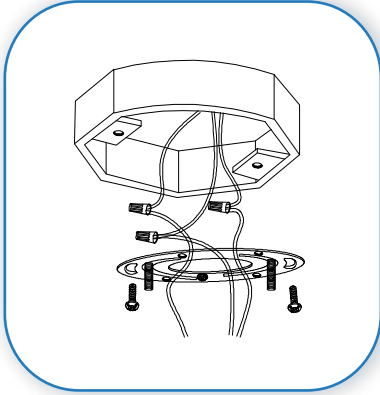
## GENERAL INFORMATION

All electrical connections must be in accordance with all ordinances, Local and the U.S. National Electrical Codes (NEC). These fixtures are intended for mounting to a standard 4" metal octagon outlet box.

The box must be directly supported by the building structure and U.L. Recognized.

## STEP BY STEP INSTRUCTIONS

Before starting your installation disconnect the Power by turning off the Circuit Breaker or by removing the fuse at the fuse box. Just turning the light off at the light switch is not sufficient to prevent electrical shock.



1

### ATTACH MOUNTING BRACKET AND MAKE WIRE CONNECTION

If there is an existing fixture remove it. Expose the supply wires from the J-box. Mount the mounting bracket to the J-box with the supplied screws. Gently pull the supply wires through the hole in the mounting bracket. Connect the black supply wire to the black fixture wire. Secure with the supplied wire nuts. Connect the white supply wire to the white fixture wire. Secure with the supplied wire nuts. Attach the green J-Box wire around green hexagonal head screw or connect it to the green supply grounding wire of the fixture. Secure all wires with electrical tape (not supplied). Tuck all wires carefully into the J-Box.

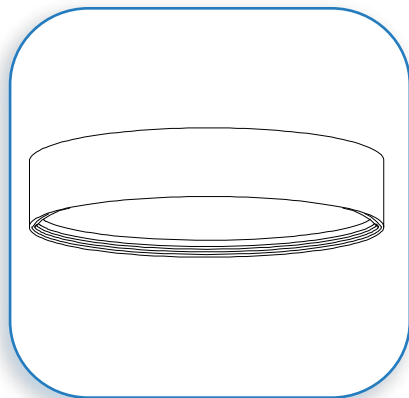


2

### ATTACH THE FIXTURE TO THE MOUNTING BRACKET

Align the fixture to the mounting bracket and secure with the supplied screws. Place the glass plate onto the center screw and secure with the supplied washer and hex-nut. Gently bend the acrylic into the fixture body.

WARNING: DO NOT RESTORE ELECTRICITY AND USE THIS FIXTURE BEFORE THE GLASS SHADE IS INSTALLED



3

### RESTORE THE ELECTRICITY AND CHECK THE OPERATION OF YOUR NEW ACCESS LIGHTING FIXTURE

CAUTION

If the fixture is to be removed or replaced, please ensure that the electricity is switched off and that the fitting is cool before touching it.