

Glass Installation Instructions

C69

40th Anniversary Erlenmeyer Lamps 277810

To Install Bulb & Glass (Figure 1)

Component Parts

- A Fixture
- B Pin
- C Glass
- D Thumbscrews (4)

1. Carefully unpack the lamp from the carton.
2. Rotate center of fixture to allow access to socket.
3. Insert pin (B) thru tab and into gear to hold center of fixture in position.
4. Install bulb (included) into socket.
5. Loosen thumbscrews (D). It is not necessary to remove thumbscrews.
6. Slip glass (C) into ring aligning groove in glass with thumbscrews (D) and tighten thumbscrews (D).
7. While holding glass, remove pin (B) and orient glass into desired position. Replace pin (B) thru tab and engage with gear.

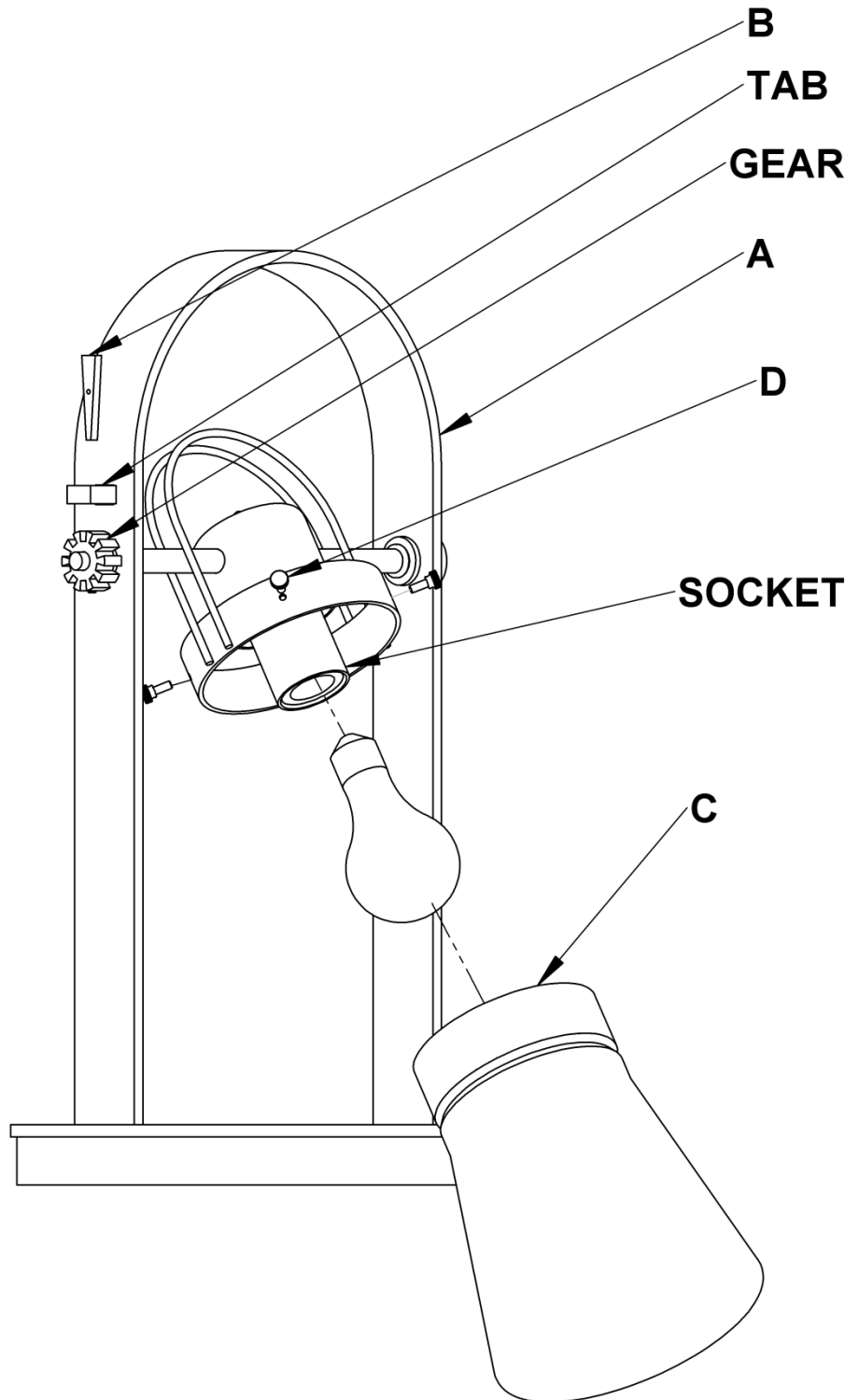


Figure 1

If you need further assistance, or find that you are missing any parts, please contact the dealer from which you purchased this product. We hope you enjoy your fixture!

* Hubbardton Forge will not be liable for injury or damage caused by improper installation, lamping or use of this fixture.