

Assembly & Installation Instructions

A329

Stream Pendant 137680

Page 1 of 4

CAUTION: FAILURE TO INSTALL THIS FIXTURE PROPERLY MAY RESULT IN SERIOUS PERSONAL INJURY OR DEATH AND PROPERTY DAMAGE. We recommend installation by a licensed electrician. This product must be installed in accordance with applicable installation code(s), by a person familiar with the construction and operation of the product and the hazards involved.*

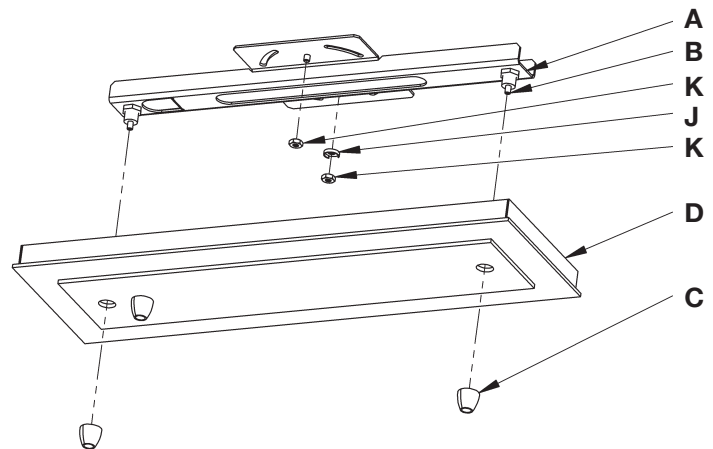
Caution: Do not exceed maximum wattage noted on fixture. Use only recommended bulbs with fixture.

Unpack Fixture (Figure 1)

Component Parts

- A Ceiling Bracket
- B Cable Gripper (2)
- C Gripper Nut (2)
- D Canopy
- J Cupped Washer
- K Hex Nut (2)

1. Carefully unpack the fixture from the carton.
2. Ceiling Bracket (A) and canopy (D) are shipped fastened together.
3. Unscrew both gripper nuts (C) and separate canopy (D) and ceiling bracket (A), set aside.
4. Remove both hex nuts (K) and cupped washer (J) from ceiling bracket (A).



(Figure 1)

To Install to Ceiling (Figures 2 - 6)

Component Parts

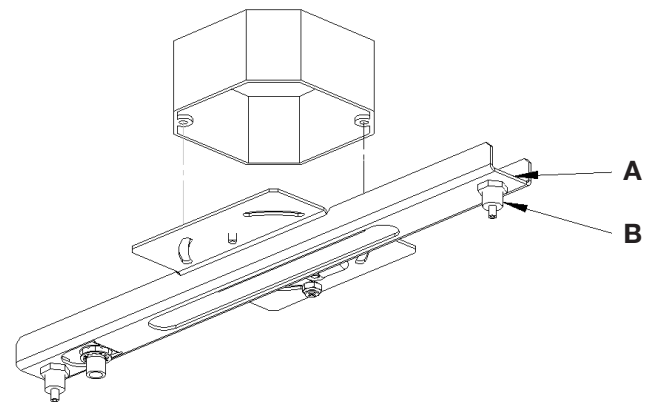
- | | |
|---------------------|------------------------|
| A Ceiling Bracket | G Supply wire |
| B Cable Gripper (2) | H Strain Relief |
| C Gripper Nut (2) | I Washer |
| D Canopy | J Cupped Washer |
| E Support Cable (2) | K Hex Nut |
| F Fixture | L Canopy Support Cable |

CAUTION: BE SURE POWER IS OFF AT THE MAIN BREAKER BOX PRIOR TO INSTALLATION.

1. Using two machine screws (not provided), fasten the ceiling bracket (A) to the electric box. (Figure 2).

Note: A new electric box comes with screws. When replacing a fixture, retain the existing screws for use with the new fixture.

2. Attach canopy support cable (L) to ceiling bracket (A) using hex nut.



(Figure 2)

(Continued)

If you need further assistance, or find that you are missing any parts, please contact the dealer from which you purchased this product. We hope you enjoy your fixture!

* Hubbardton Forge will not be liable for injury or damage caused by improper installation, lamping or use of this fixture.

Assembly & Installation Instructions

A329

Stream Pendant 137680

Page 2 of 4

To Install to Ceiling (Figures 2 - 6)

(Continued)

- Slip gripper nuts (C) onto the support cables (E) and allow to rest on top of fixture (F).
- Pull support cables (E) and supply wire (G) through canopy (D), and run support cables (E) through cable grippers (B) until desired fixture height is accomplished and level.

Note: Make sure orientation of slot in ceiling bracket matches location of supply wire from fixture.

- Install strain relief (H) and then washer (I) onto supply wire (G). Push assembled cable/strain relief/washer grouping until it snaps in place in bent tab on ceiling bracket (A). (Figure 4)

To Install to Ceiling (Figure 5)

- Once support cables (E) are at the correct height, excess cable can be cut off. To keep the strands of cable together a small piece of electrical tape can be applied to the cut end.
- Cut excess supply wire (G) allowing enough left (approx. 6") to make connections in the electrical box. Strip outside jacket being careful not to cut through shielding of the two inner conductors.
- Run a pigtail lead from the ceiling bracket (A) using cupped washer (J) and hex nut (K) to the junction box. Using suitable wire connectors (not provided) connect unshielded wire from supply wire (G) to all ground wires (bare copper or green shielded) (Figure 5).
- Using suitable wire connectors (not provided) connect fixture wires to supply (wire with white tracer to white and wire with no tracer to black).

CAUTION: MAKE SURE WIRE CONNECTORS ARE TWISTED ON SECURELY, AND NO BARE WIRE IS EXPOSED.

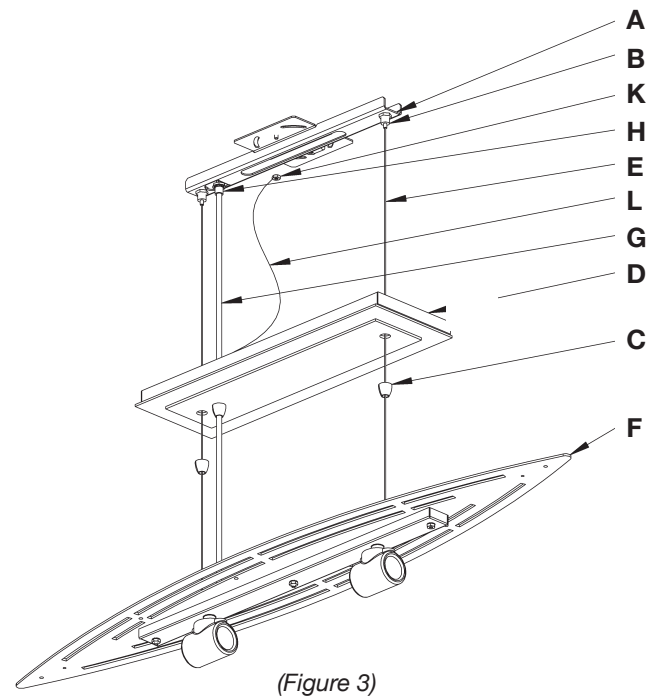
- Raise canopy (D). Line up 2 holes in canopy with the 2 cable grippers. The lock mechanism of a cable gripper will release if the outer cylindrical body of the gripper is pushed upward, so avoid making contact with either cable gripper as canopy is raised.

Push firmly to ceiling making sure that no wires are pinched between fixture canopy and ceiling. Fasten to ceiling by threading gripper nuts (C) onto grippers (B) (Figure 6).

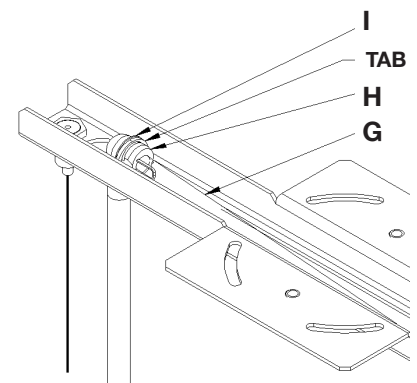
(Continued)

If you need further assistance, or find that you are missing any parts, please contact the dealer from which you purchased this product. We hope you enjoy your fixture!

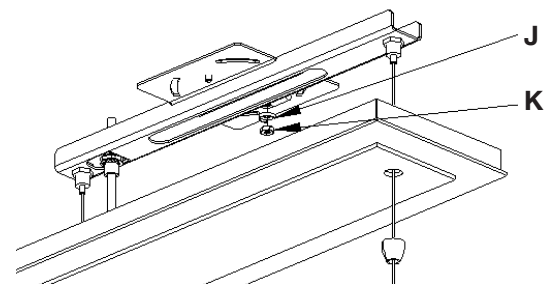
*Hubbardton Forge will not be liable for injury or damage caused by improper installation, lamping or use of this fixture.



(Figure 3)



(Figure 4)



(Figure 5)

Assembly & Installation Instructions

A329

Stream Pendant 137680

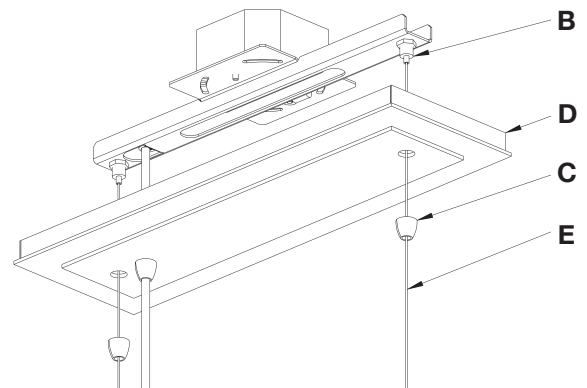
Page 3 of 4

Fixture Assembly (Figures 7 - 9)

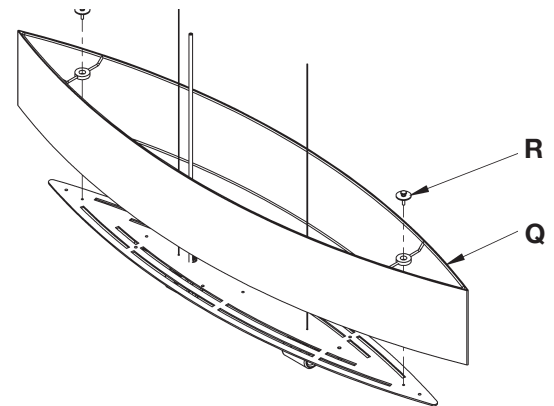
Component Parts

- F Fixture
- M Upper Forged Element
- N #8-32 Lock Nut
- O Lower Forged Element
- Q Shade
- R Thumb Screw with Washer and Hex Nut (2)

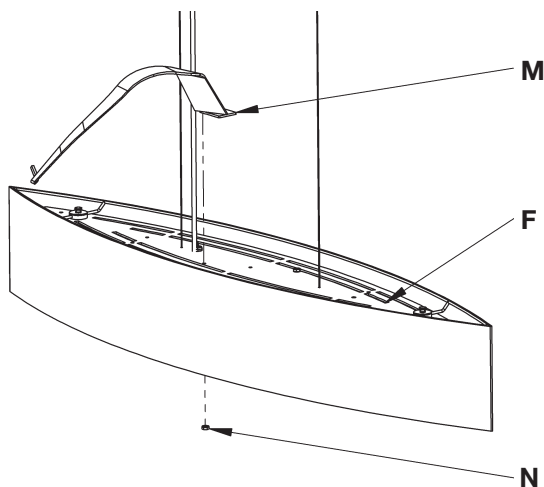
1. Install Shade. Hardware for securing shade (Q) is shipped attached to fixture (F). Remove Thumb Screw with washer and hex nut (R) from fixture (F), set aside. Install shade (Q) from bottom and tilt so it will pass fixture (F). Lower shade so it rests on top of fixture. Secure shade (Q) with thumb screw, washer and hex nut. (R) (Figure 7).
2. Install upper forged element (M) to fixture. Nut (N) is shipped threaded onto stud of forged element (M). Remove nut (N) and set aside. Line up stud of upper forged element (M) with hole through fixture (F) and lower into position. Secure with nut (N). (Figure 8).
3. Install lower forged element (O) to fixture. Nut (N) is shipped threaded onto stud of forged element (O). Line up stud of forged element (O) with hole through fixture (F) and lift into position. Secure with nut (N). (Figure 9).
4. Install bulbs (not included).



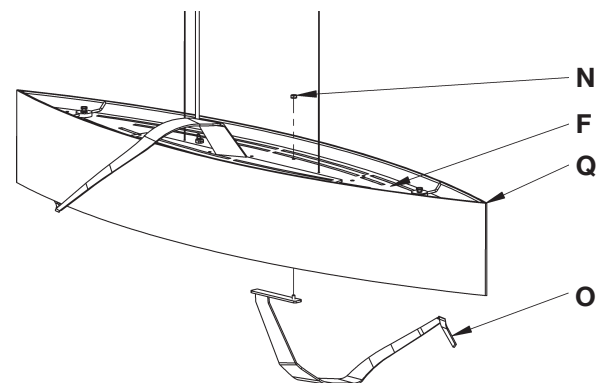
(Figure 6)



(Figure 7)



(Figure 8)



(Figure 9)

(Continued)

If you need further assistance, or find that you are missing any parts, please contact the dealer from which you purchased this product. We hope you enjoy your fixture!

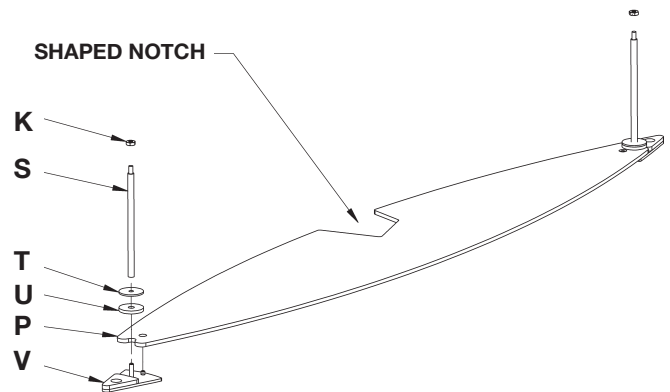
* Hubbardton Forge will not be liable for injury or damage caused by improper installation, lamping or use of this fixture.

Install Diffuser (Figures 10 & 11)

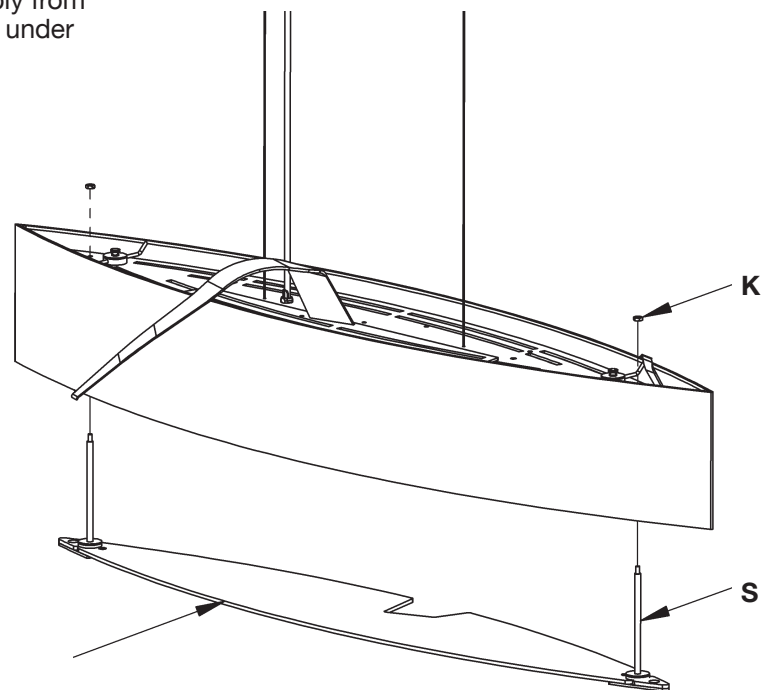
Component Parts

- K Hex Nut (2)
- P Diffuser
- S Stud (2)
- T Fender Washer (2)
- U Rubber Washer (2)
- V Triangular Tip (2)

5. Assemble Diffuser. Align diffuser (P) so that shaped notch fits around lower forged element (O). Locate 2 Triangular tip assemblies shipped assembled, each made up of a nut (K), stud (S), fender washer (T), rubber washer (U) and triangular tip (V). Unscrew nut (K) and set aside. Unscrew stud (S) from triangular tip (V). Fasten one triangular tip assembly to each end of glass diffuser (P) as shown. Rotate stud (S) to tighten until rubber washer (U) is gently clamping diffuser glass against diffuser tip (V). Do not over-tighten. (Figure 10).
6. Install diffuser. Once the diffuser (P) is built up with the tip assemblies it is ready to install. Lift Diffuser Assembly from bottom so shoulders on top of studs (S) rest against under side of fixture (F). Secure with nuts (K). (Figure 11).
7. Restore electricity at the main breaker.



(Figure 10)



(Figure 11)

If you need further assistance, or find that you are missing any parts, please contact the dealer from which you purchased this product. We hope you enjoy your fixture!

*Hubbardton Forge will not be liable for injury or damage caused by improper installation, lamping or use of this fixture.