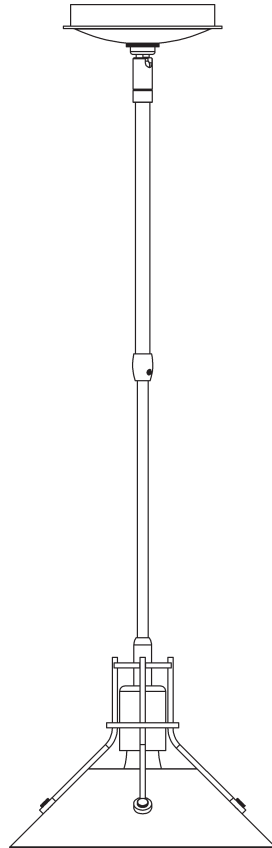


ASSEMBLY & INSTALLATION INSTRUCTIONS

A618

Henry Pendant W/ Glass Shade, Sm 184253



HUBBARDTON FORGE.

MODERN AMERICAN BLACKSMITHS | FINE, HAND CRAFTED LIGHTING
CASTLETON, VERMONT USA | HUBBARDTONFORGE.COM

Component Parts

- A** **Fixture**
- B** **Glass Shade**
- C** **Thumb Screw (4)**
- D** **Barrel Nut (4)**
- E** **Fixture Pipe**
- F** **Clutch**
- G** **Tapered sleeve**
- H** **Set Screw**
- I** **Canopy Pipe**
- J** **Jam Nut**
- K** **Theaded Nipple**
- L** **Crossbar**
- M** **Ground Screw**
- N** **Canopy**
- O** **Canopy Ring**



ASSEMBLY & INSTALLATION INSTRUCTIONS

A618

Henry Pendant W/ Glass Shade, Sm 184253

CAUTION: FAILURE TO INSTALL THIS FIXTURE PROPERLY MAY RESULT IN SERIOUS PERSONAL INJURY OR DEATH AND PROPERTY DAMAGE. We recommend installation by a licensed electrician. This product must be installed in accordance with applicable installation code(s), by a person familiar with the construction and operation of the product and the hazards involved.*

Caution: Do not exceed maximum wattage noted on fixture. Use only recommended bulbs with fixture.

Caution: Damp location outdoor hanging fixtures are designed for use in covered spaces such as porches protected from prolonged exposure to water and wind. If installing in locations subject to wind the use of supplementary chains, cables, or similar restraints may be necessary to protect against swinging and twisting. If in doubt consult a qualified installer.

Please Note: After installation extra hardware and accessories are possible due to our kits are used on multiple products and options.

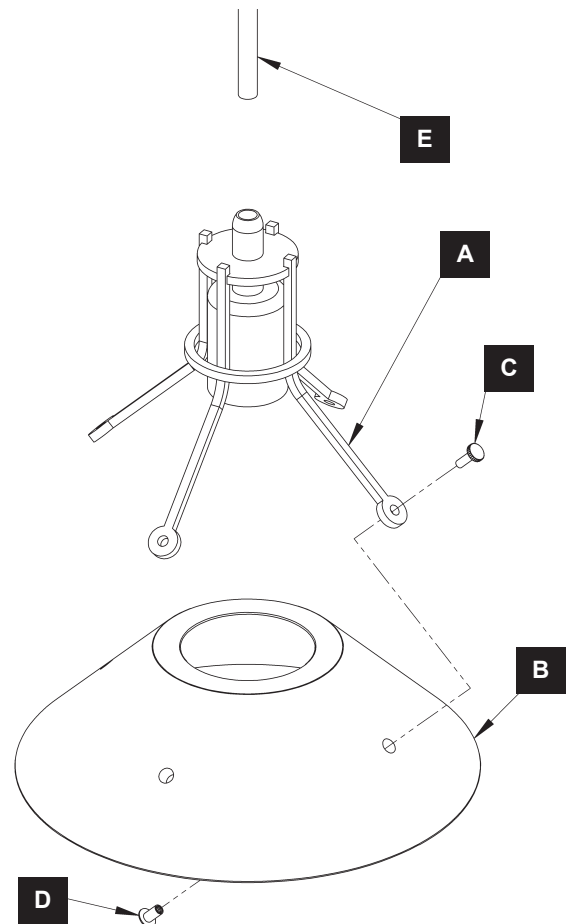
To Prepare Fixture (Figure 1)

CAUTION: BE SURE POWER IS OFF AT THE MAIN BREAKER BOX PRIOR TO INSTALLATION.

1. Carefully unpack the fixture (A) and glass shade (B) from the carton.
2. Unscrew thumb screw (C) and barrel nut (D) from fixture (A). Repeat for all thumb screws.
3. Carefully place fixture (A) onto glass shade (B) and line up holes.
4. Insert barrel nut (D) under glass shade (B) and thread thumb screw (C) from top side of fixture (A).

Note: Do not completely tighten thumb screw (C) and barrel nut (D) until all four are in place.

5. Repeat step 4 in a criss-cross pattern until all thumb screws (B) and barrel nuts (D) are in place.
6. Hand tighten the thumb screws (C) to secure glass shade (B) to fixture (A).
7. Apply a drop of the supplied thread locking compound to the threads of the fixture pipe (E) and thread pipe into the fixture (A), being careful not to twist or pinch the wires.
8. Follow steps on next page to complete installation.



(Figure 1)

Henry Pendant W/ Glass Shade, Sm 184253

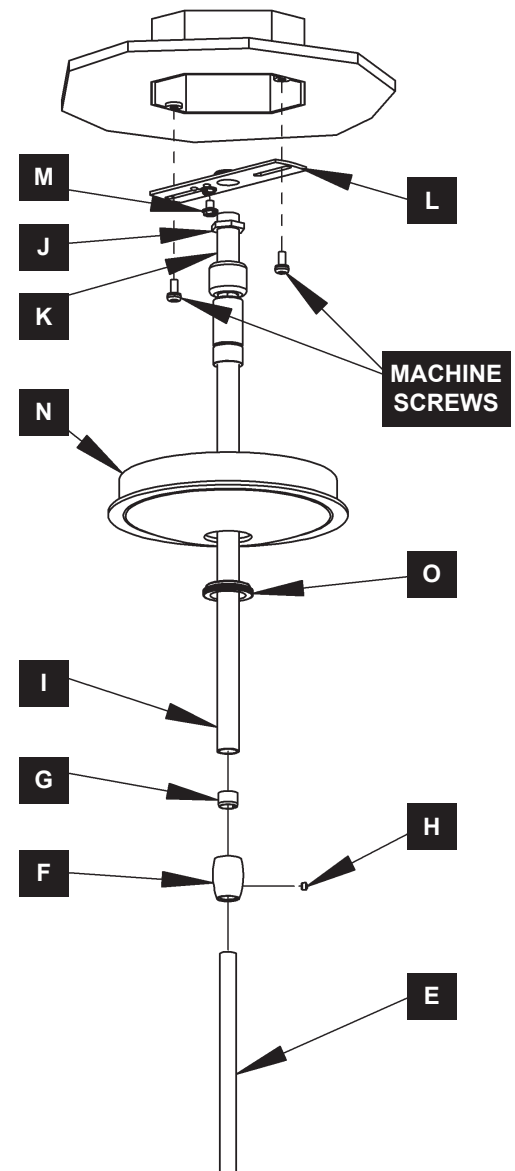
CAUTION: FAILURE TO INSTALL THIS FIXTURE PROPERLY MAY RESULT IN SERIOUS PERSONAL INJURY OR DEATH AND PROPERTY DAMAGE. We recommend installation by a licensed electrician. This product must be installed in accordance with applicable installation code(s), by a person familiar with the construction and operation of the product and the hazards involved.*

Caution: Do not exceed maximum wattage noted on fixture. Use only recommended bulbs with fixture.

To Attach to Ceiling (Figures 2, 3)

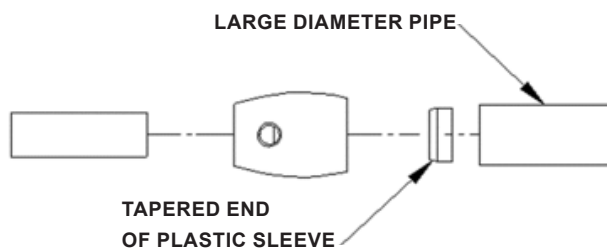
1. Locate remaining parts. Thread jam nut (J) and crossbar (L) onto threaded nipple (K). Leave parts loose. Threaded nipple (K) is attached to canopy pipe (I).
2. Using two machine screws (not provided), temporarily fasten crossbar (L) to the electric box.

Note: A new electric box comes with screws. When replacing a fixture, retain the existing screws for use with the new fixture.
3. Adjust the length of the threaded nipple (K) in crossbar (L) so canopy ring (O) will hold canopy (N) against the ceiling with no threads showing for best appearance. When the correct adjustment is established, tighten jam nut (J) against crossbar (L) to hold adjustment.
4. Remove crossbar (L) from electrical box and proceed with assembly instructions.
5. Carefully slide canopy ring (O) and canopy (N) over fixture pipe (E) until it rests on the fixture. Make sure the smaller diameter side of canopy ring (O) is oriented up.
6. Slide wires from the fixture pipe (E) through canopy pipe (I).
7. Unscrew clutch (F) from canopy pipe (I); slide it across wires and onto fixture pipe (E). Follow this with plastic sleeve (G), oriented so the tapered end nests in the clutch (F) (Figure 3).
8. Slide fixture pipe (E) into the canopy pipe (I) as far as necessary to give you the total length of the fixture which you desire. It may be necessary to loosen the set screw (H) in clutch (F). Be careful not to scratch the pipe surface and to pull excess wire up through canopy pipe (I). There must be a minimum 1-1/2" of inner pipe inside the outer pipe.



(Figure 2)

Continued...



(Figure 3)

ASSEMBLY & INSTALLATION INSTRUCTIONS

A618

Henry Pendant W/ Glass Shade, Sm 184253

To Attach to Ceiling *(Continued)*

9. Tighten the set screw (H) in clutch (F) firmly with hex wrench provided.
10. Using two machine screws (not provided), fasten crossbar (L) to the electric box. Using suitable wire connectors (not provided) connect fixture wires to supply (white to white and black to black). Attach a pigtail lead to the crossbar ground screw (M). Hold canopy (N) close to the ceiling and connect all ground wires (barecopper or green to bare copper or green). Push wires back into electrical box.

CAUTION: MAKE SURE WIRE CONNECTORS ARE TWISTED ON SECURELY AND NO BARE WIRE IS EXPOSED.

11. Push canopy (N) against ceiling and secure with canopy ring (O).

CAUTION: BE SURE NO WIRES ARE PINCHED BETWEEN THE CANOPY (E) AND THE CEILING.

12. Install bulb (not provided) into fixture.
13. Restore electricity at the main breaker.