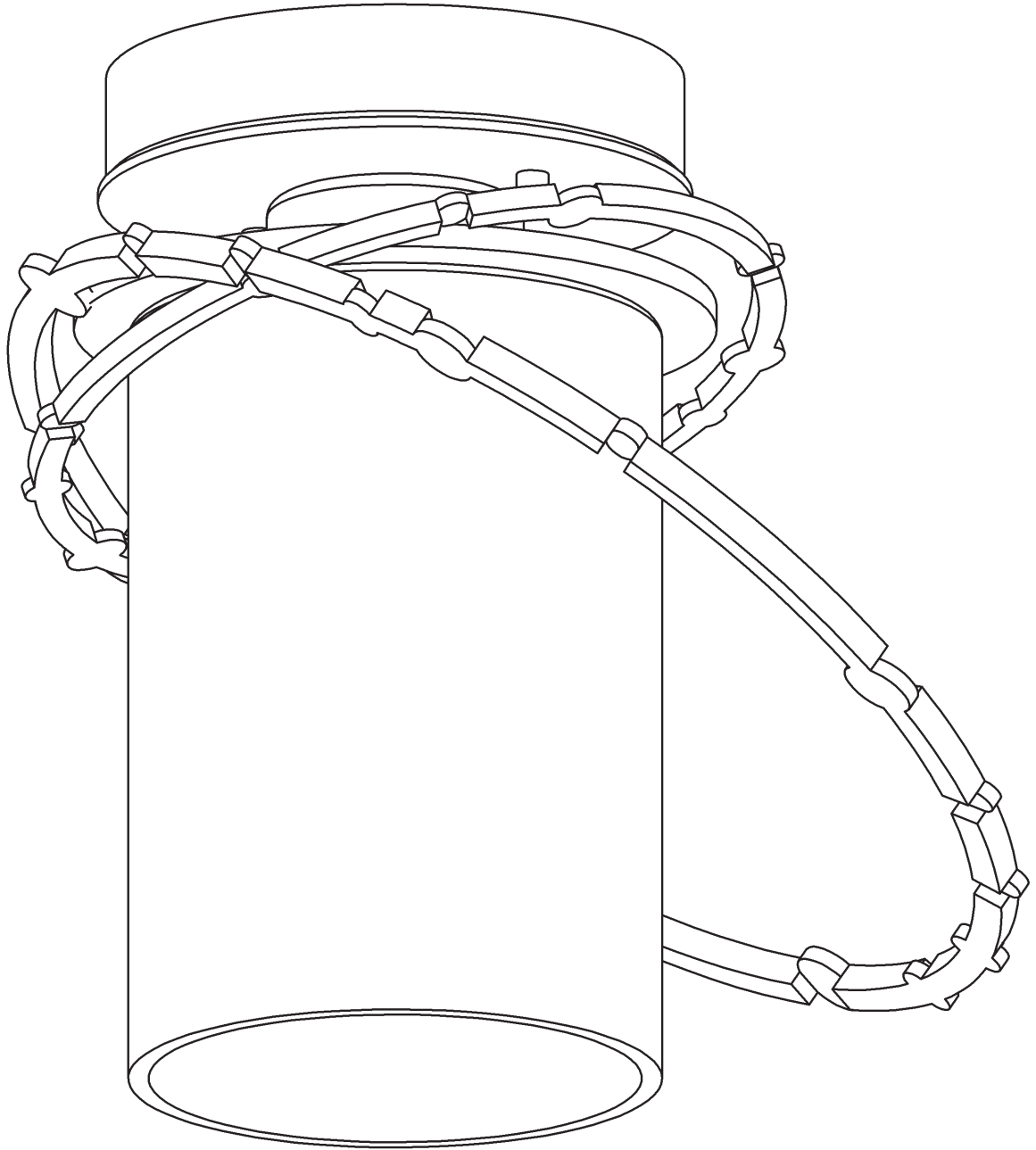


ASSEMBLY & INSTALLATION INSTRUCTIONS

A768

Olympus Outdoor Semi-Flush 352401



Component Parts

- A** **Fixture**
- B** **Ground Screw**
- C** **Crossbar**
- D** **Threaded Stud (2)**
- E** **Barrel Knobs (2)**
- F** **Retaining Ring**
- G** **Retaining Ring Tool**
- H** **Glass**
- I** **Socket**
- J** **Bulb (not included)**



ASSEMBLY & INSTALLATION INSTRUCTIONS

A768

Olympus Outdoor Semi-Flush 352401

CAUTION: FAILURE TO INSTALL THIS FIXTURE PROPERLY MAY RESULT IN SERIOUS PERSONAL INJURY OR DEATH AND PROPERTY DAMAGE. We recommend installation by a licensed electrician. This product must be installed in accordance with applicable installation code(s), by a person familiar with the construction and operation of the product and the hazards involved.*

Caution: Do not exceed maximum wattage noted on fixture. Use only recommended bulbs with fixture.

Please Note: After installation extra hardware and accessories are possible; our kits are used on multiple products.

To Install Fixture (Figure 1, next page)

CAUTION: BE SURE POWER IS OFF AT THE MAIN BREAKER BOX PRIOR TO INSTALLATION.

1. Carefully unpack the fixture (A) from the carton.
2. Thread studs (D) through appropriate holes in crossbar (C) to match hole centers in fixture (A). Move ground screw (B) to another available threaded hole if necessary.
3. Using two machine screws (not provided) fasten crossbar (C) to the electric box using outer oval holes to orient fixture to desired hanging position.

Note: A new electric box comes with screws. When replacing a fixture, retain the existing screws for use with the new fixture.

4. Using suitable wire connectors (not provided) connect fixture wires to supply wires (white to white or ribbed and black to black or smooth). Add a pigtail lead to the crossbar (C) using the ground screw (B) Connect all ground wires together.

CAUTION: MAKE SURE WIRE CONNECTORS ARE TWISTED ON SECURELY AND NO BARE WIRE IS EXPOSED.

5. Slide fixture (A) over threaded studs and push firmly to ceiling, making sure that no wires are pinched between fixture and ceiling. Fasten with barrel knobs (E). Be sure studs (D) are fully seated in the barrel knobs (E).

CAUTION: BE SURE NO WIRES ARE PINCHED BETWEEN THE FIXTURE (D) AND THE CEILING.

6. Remove glass retaining ring (F) and save for later use.
7. Raise glass (H) and slide over socket (I), secure with retaining ring (F) using retaining ring tool (G).

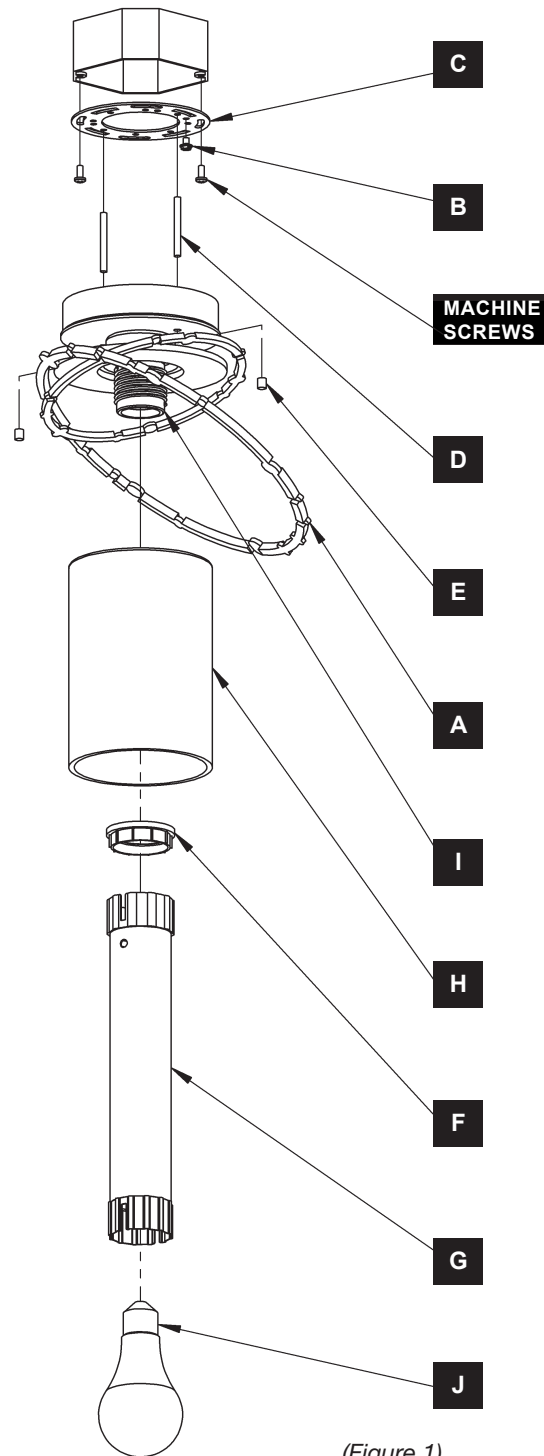
Note: Be sure not to over tighten as this could break the glass.

8. Install bulb (J), not included.
9. Restore electricity at main breaker.

ASSEMBLY & INSTALLATION INSTRUCTIONS

A768

Olympus Outdoor Semi-Flush 352401



(Figure 1)

If you need further assistance, or find that you are missing any parts, please contact the dealer from which you purchased this product. We hope you enjoy your fixture!

*** Hubbardton Forge will not be liable for injury or damage caused by improper installation, lamping or use of this fixture.**