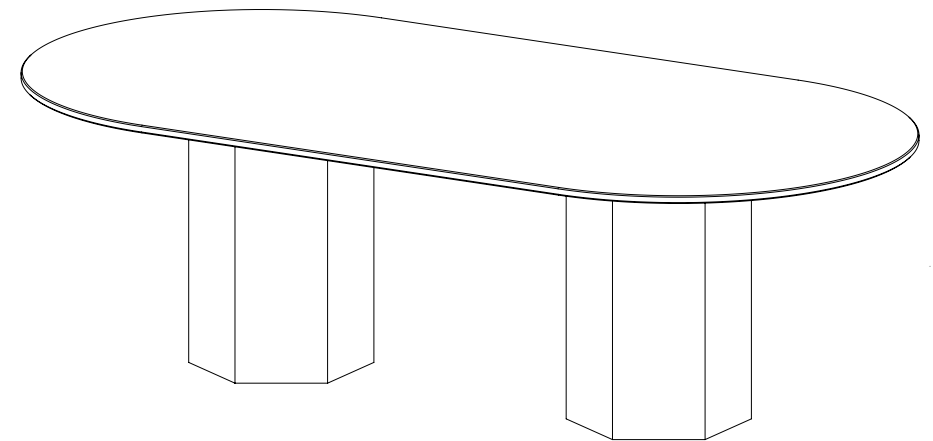


GUBI

ASSEMBLY INSTRUCTIONS

for

EPIC DINING TABLE ELLIPTICAL

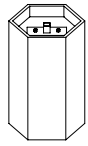


For enquiries contact GUBI A/S - CVR: 17940384
Klubensvej 7-9. 2150 Nordhavn. Copenhagen, Denmark
T +45 69 15 60 60 – salesupport@gubi.dk
GUBI.COM

Epic Dining Table Elliptical assembly instructions 129-20-100-01

CONTENTS

EPIC DINING TABLE – ELLIPTICAL



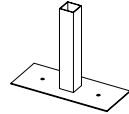
x2
Columns



x12
Bumpers



x1
Tabletop



x2
Mounting parts

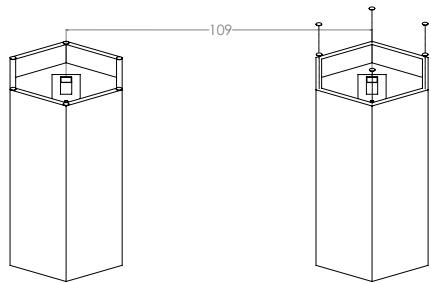


x4
Screws

1.

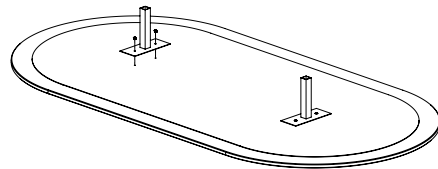
Place the columns upright on the floor, with 109 cm between the centers of the female mounting brackets.

Glue the bumpers on the corners of each column.



2.

Attach the male mounting brackets on the underside of the tabletop, using the 4 screws.



3.

Lift the tabletop above the columns and align the male and female brackets. Carefully lower the tabletop down onto the columns.

(Due to the weight of the tabletop, we advise to have at least 4 people handle the lifting of the tabletop and 1 person guiding the tabletop into place.)

