

# PALECEK®

601 PARR BOULEVARD | RICHMOND | CA 94801

## WALL SCONCE INSTALLATION INSTRUCTIONS

### OUTDOOR SCONCE DEMI

201579 / 209279 / 211479



#### PROFESSIONAL INSTALLATION REQUIRED

**CAUTION: BEFORE INSTALLING FIXTURE, MAKE SURE THE POWER TO THE CIRCUIT IS TURNED OFF AT THE MAIN FUSE BOX / CIRCUIT BREAKER UTILITY BOX.**

**THE LIGHTING FIXTURE MUST BE MOUNTED ON FLAT WALL SURFACE ABOVE 1.2M (4 FEET) FROM GROUND**

#### Important Safety Instructions:

- These instructions are provided for your safety. It is important that they are read carefully before use to ensure safe operation of the product.
- Installation by a licensed professional electrician required.
- THIS PRODUCT MUST BE INSTALLED IN ACCORDANCE WITH THE APPLICABLE INSTALLATION CODES BY A PERSON FAMILIAR WITH THE CONSTRUCTION AND OPERATION OF THE PRODUCT AND THE HAZARDS INVOLVED.
- The lighting fixture is meant for outdoor use. It must be connected only to 3-wire, single-phase electrical supply systems (provided with Ground wire or equivalent protection system).
- For your safety, it is strongly recommended that two people install the lighting fixture.
- This fixture has been rated for up one (1) **60 watt maximum Type A bulb** (not included). To avoid the risk of fire, do not exceed the recommended lamp wattage.
- The lighting fixture is meant for outdoor use, **SUITABLE FOR WET LOCATIONS.**
- **Save these instructions.**

#### WARNING:

- **To reduce the risk of fire, electrical shock or personal injury, always turn off light fixture and allow it to cool prior to replacing light bulb.**
- **Do not touch bulb when fixture is turned on. Do not look directly at lit bulb.**
- **Keep flammable materials away from lit bulb.**
- **Check the cable properly for any loose or damaged connections.**
- **When the unit is no longer functioning, do not attempt to fix it by yourself. Only a qualified technician is allowed to disassemble and repair.**
- **If the external flexible cable cord of this luminaire is damaged it shall be exclusively replaced by a qualified electrician in order to avoid hazard.**

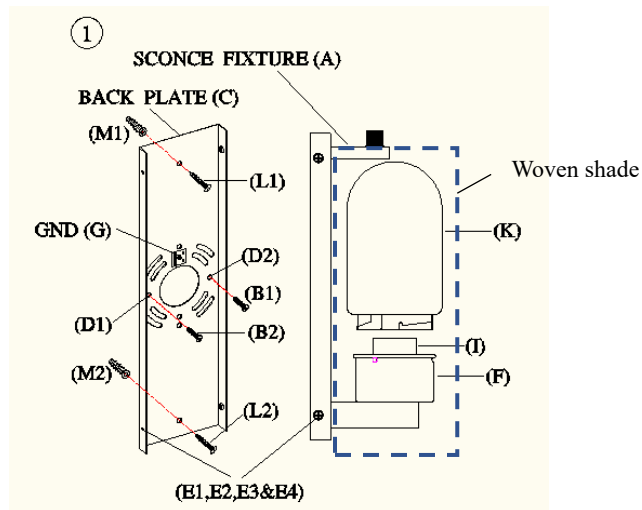
## Pre-Assembly:

- Remove all parts and hardware from the box along with any plastic protective packaging. Do not discard contents until after assembly is complete to avoid accidentally discarding small parts or hardware.
- For your safety and convenience, assembly by two people is recommended
- Lay the product out on the floor. If there is no carpet, cover the floor with a soft cloth so as not to scratch the finish of the light or the floor.

**TOOLS REQUIRED (not included):** Ladder, Phillips Head & Flat Blade Screwdrivers, Wire Cutter/Stripper & Electrical Tape.

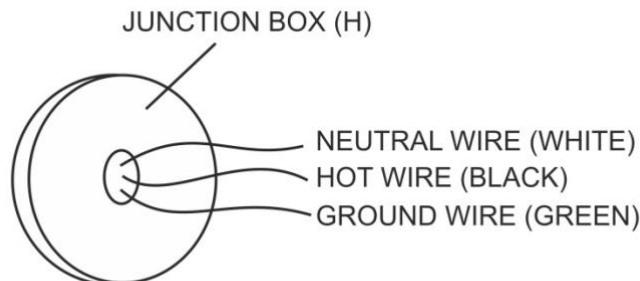
### Parts List:

- A) Sconce Fixture
- B) Wall Screws (B1 & B2)
- C) Back Plate
- D) Back Plate Holes (D1 & D2)
- E) Side Screws (E1, E2, E3 & E4)
- F) Glass Shade Holder
- G) Grounding Screw
- H) Junction Box
- I) Socket
- J) Plastic Wire Connectors (3x)
- K) Glass Shade

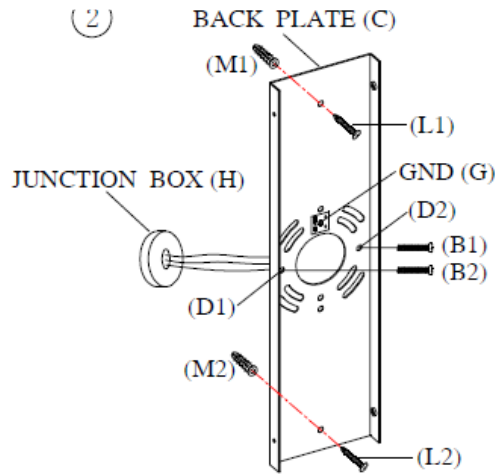


## Installation Instructions:

1. **SHUT OFF THE MAIN ELECTRICAL SUPPLY FROM THE MAIN FUSE BOX/CIRCUIT BREAKER.**
2. Separate Back Plate (C) from Sconce Fixture (A) by removing the four Fixture Side Screws (E1, E2, E3 & E4). Do not discard Fixture Side Screws (E1, E2, E3 & E4) as these will be used later.
3. Gently pull existing wires out from the wall junction box (H) and allow them to hang. The hot or live wire is black and the neutral wire is white. Check to see if there is a ground wire that is either green or green with a yellow stripe or exposed copper metal wire. If needed, use a pair of wire strippers to remove about ½ inch of insulation from each wire

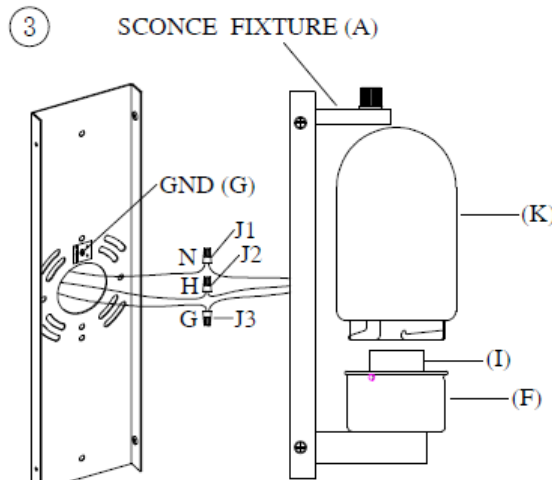


4. Insert the junction box wires through the center opening of the back plate (C). Attach the back plate to the wall outlet box using the two wall screws (B1 & B2) to engage with each of the back plate holes (D1 & D2)

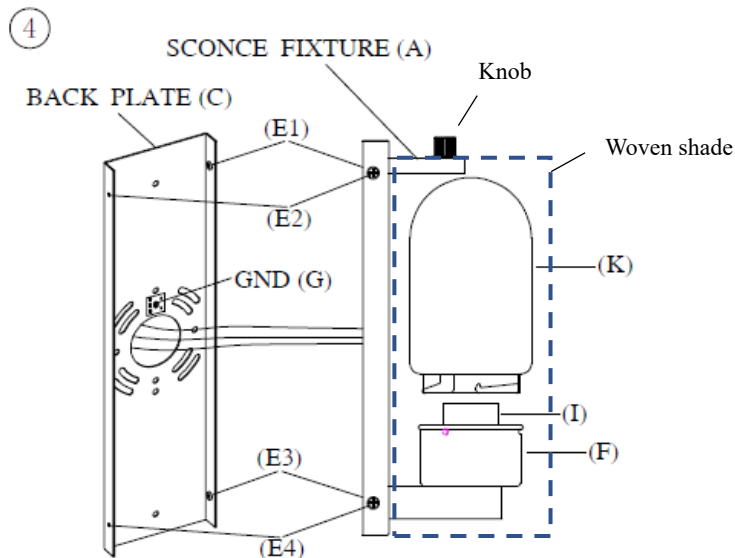


5. Establish electrical connections:

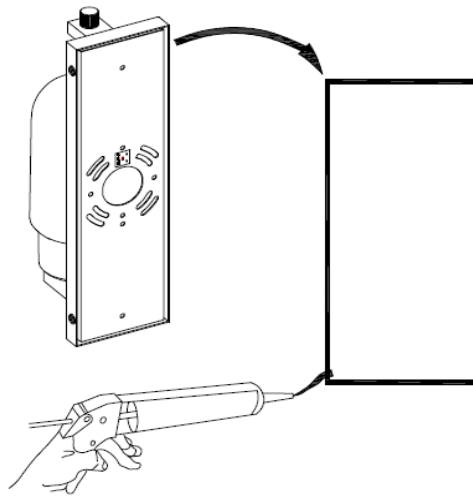
- a) Connect the NEUTRAL FIXTURE WIRE to the NEUTRAL JUNCTION BOX WIRE (usually white or ribbed insulation). Fasten each together with a wire connector (J) and wrap the connection with electrical tape. Be sure that no wire strands are exposed
- b) Connect the HOT FIXTURE WIRE to the HOT JUNCTION BOX WIRE (usually black or smooth insulation). Fasten each together with a wire connector (J) and wrap the connection with electrical tape. Be sure that no wire strands are exposed. **DO NOT REVERSE THE HOT AND NEUTRAL CONNECTIONS OR SAFETY WILL BE COMPROMISED.**



- c) Connect the GROUND WIRE of the fixture to the GROUND J-BOX WIRE (usually green or bare). Fasten each together with a wire connector (J) and wrap the connection with electrical tape. Be sure that no wire strands are exposed. If there is no ground wire in the J-Box, use a screwdriver to secure the end of the fixture ground wire to the Ground screw (G) into the back plate (C).  
After wire connections, tighten the connectors (J1, J2, J3) on the wire joint.
6. After all connections are made, place the sconce fixture over the backplate and insert the four fixture side screws (E1, E2, E3 & E4) and tighten each using a screwdriver until secure. Do not over-tighten the screws.



7. Insert one (1) 60 **watt maximum Type A bulb** (not included) into the socket. **DO NOT EXCEED THE RECOMMENDED WATTAGE.**
8. Fix the Glass Shade (K) onto the Glass Shade Holder (F) tighten the shade clockwise by hand.
9. Unscrew the Knob at the top but leave silicon gasket in place. Affix woven shade onto threaded stem, then re-attach knob and screw until secure



10. Using the outdoor silicone caulking compound, caulk completely rim of Back Plate where it meets the wall surface leaving a space without the caulking compound at the bottom of Back Plate.. Note: Mounting surface should be clean, dry , flat and a 1/4 inch larger than the Back Plate on all sides..
11. Restore power to ceiling outlet junction box and test fixture
12. Installation is complete.

### Care Instructions:

- Do not use abrasive cleaning solution as it may cause damage to the fixture's finish.
- Wipe clean with a soft, dry cloth or static duster.