

# INSTALLATION INSTRUCTIONS

Item#2437-84/878 (New. 09/06/2021)

## READ AND SAVE THESE INSTRUCTIONS

**WARNING! SHUT POWER OFF AT FUSE OR CIRCUIT BREAKER.**

**AVERTISSEMENT! COUPER LE COURANT AU NIVEAU DES FUSIBLES OU DU DISJONCTEUR.**

### MOUNTING THE FIXTURE (Fig.1)

1. Shut off power at the fuse box or circuit breaker and remove the old fixture including the mounting hardware.
2. Carefully unpack your new fixture and lay out all the parts on a clean area. Take care not to lose any small parts necessary for installation.
3. Thread mounting screws (B) into pre-drilled holes in circular strap (G) spaced same distance apart as holes in the canopy (J) and tighten with nuts (E). The length of the mounting screws (B) may be adjusted if necessary.
4. Attach circular strap (G) to junction box (not included) using junction box screws (D). The side of circular strap marked "GND" must face out.
5. Determine desired hanging height and thread rods (M2, and M1) to the all thread of the cluster (Q). Screw loop (K1) onto rod (M1). Pass wires carefully through each rod as you assemble.
6. Attach quick link (L) to loop (K1) and loop (K2) on canopy (J). Carefully feed wires through loop (K1), quick link (L), and loop (K2).
7. Place hook (N1) of rod (P) onto loop (O1) of cluster (Q), then place hook (N2) of rod (P) onto hook (O2) of fixture body (R).

### CONNECTING THE WIRES (Fig.2)

8. Connect the electrical wires as shown in Fig.2, making sure that all wire connectors (C) are secured. If your junction box has a ground wire (green or bare copper), connect the fixture's ground wire to it. Otherwise, connect the fixture's ground wire directly to the circular strap (G) using the green screw provided.
9. Tuck wire connectors neatly into the junction box.

### FINISHING THE INSTALLATION (Fig.1)

10. Place canopy (J) onto screws (B) and secure with finials (A).
11. Unscrew metal ring (F) and place glass shade (I) onto socket cup (H). Secure glass shade (I) with metal ring (F).
12. Install (3) three medium base (E26) bulbs up to 60 watts each or CFL or LED equivalent (not included) in accordance with the fixture specification—**DO NOT EXCEED THE MAXIMUM WATTAGE RATING! (NE PAS DEPASSER LA PUISSANCE NOMINALE MAXIMALE!)**

Your installation is now complete. Return power and test the fixture. Illustration (Fig.3) to show one more version for your choice.

**Note: Illustration (Fig.1) on this manual is for installation purposes only. It may or may not be identical to the fixture purchased.**

Fig.1

Set# A-021

-Circular Strap

-Ground Screw

-Mounting Screw\*2

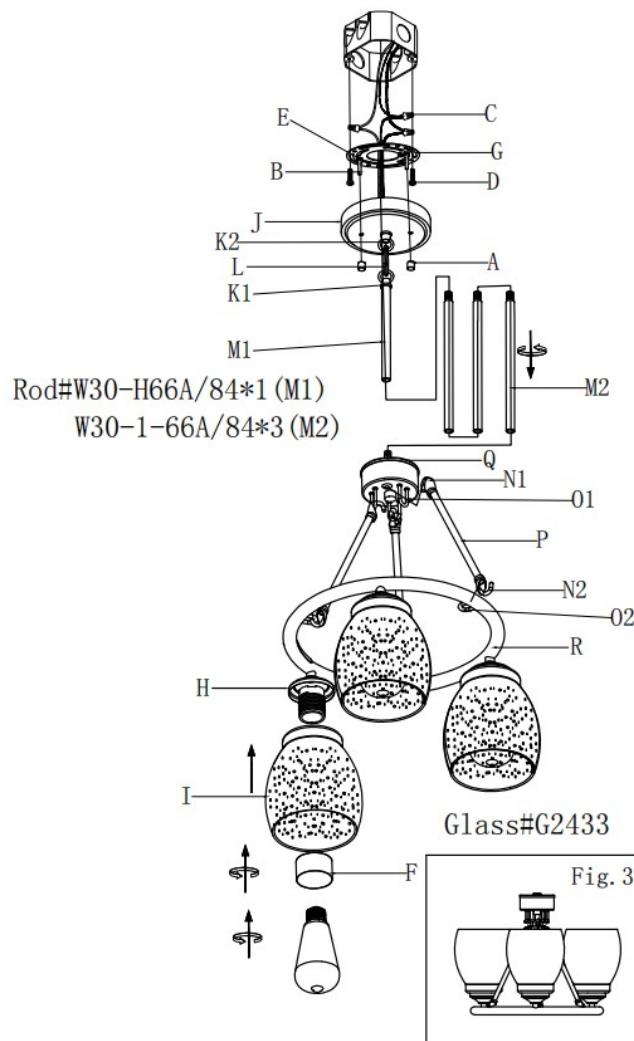


Fig.2

FIXTURE WIRES  
Black or Smooth



HOUSE WIRES  
Black (Hot)

FIXTURE WIRES  
White or Ribbed



HOUSE WIRES  
White (Neutral)

FIXTURE WIRES  
Green or Bare Copper (Ground)



HOUSE WIRES  
Green (Ground)

# INSTALLATION INSTRUCTIONS

Item#2435-84/878 (New. 08/27/2021)

## READ AND SAVE THESE INSTRUCTIONS

**WARNING! SHUT POWER OFF AT FUSE OR CIRCUIT BREAKER.**

**AVERTISSEMENT! COUPER LE COURANT AU NIVEAU DES FUSIBLES OU DU DISJONCTEUR.**

### MOUNTING THE FIXTURE (Fig.1)

1. Shut off power at the fuse box or circuit breaker and remove the old fixture including the mounting hardware.
2. Carefully unpack your new fixture and lay out all the parts on a clean area. Take care not to lose any small parts necessary for installation.
3. Thread mounting screws (B) into pre-drilled holes in circular strap (G) spaced same distance apart as holes in back plate and tighten with nuts (E). The length of mounting screws (B) may be adjusted if necessary.
4. Attach circular strap (G) to junction box (not included) using junction box screws (D). The side of circular strap marked "GND" must face out.
5. Determine desired hanging height and thread rods (M2, and M1) to the all thread of the cluster (Q). Screw loop (K1) onto rod (M1). Pass wires carefully through each rod as you assemble.
6. Attach quick link (L) to loop (K1) and loop (K2) on canopy (J). Carefully feed wires through loop (K1), quick link (L), and loop (K2).
7. Place hook (N1) of rod (P) onto loop (O1) of cluster (Q), then place hook (N2) of rod (P) onto hook (O2) of fixture body (R). **Note: The direction of the fixture body (R) can be installed upwards or downwards.**

### CONNECTING THE WIRES (Fig.2)

8. Connect the electrical wires as shown in Fig.2, making sure that all wire connectors (C) are secured. If your junction box has a ground wire (green or bare copper), connect the fixture's ground wire to it. Otherwise, connect the fixture's ground wire directly to the circular strap (G) using the green screw provided.
9. Tuck wire connectors neatly into the junction box.

### FINISHING THE INSTALLATION (Fig.1)

10. Place canopy (J) onto screws (B) and secure with finials (A).
11. Unscrew metal ring (F) and place glass shade (I) onto socket cup (H). Secure glass shade (I) with metal ring (F).
12. Install (5) five medium base (E26) bulbs up to 60 watts each or CFL or LED equivalent (not included) in accordance with the fixture specification—**DO NOT EXCEED THE MAXIMUM WATTAGE RATING! (NE PAS DEPASSER LA PUISSANCE NOMINALE MAXIMALE!)**.

Your installation is now complete. Return power and test the fixture. Illustration (Fig.3) to show one more version for your choice.

**Note: Illustration (Fig.1) on this manual is for installation purposes only. It may or may not be identical to the fixture purchased.**

Fig.1

Set# A-021

-Circular Strap

-Ground Screw

-Mounting Screw\*2

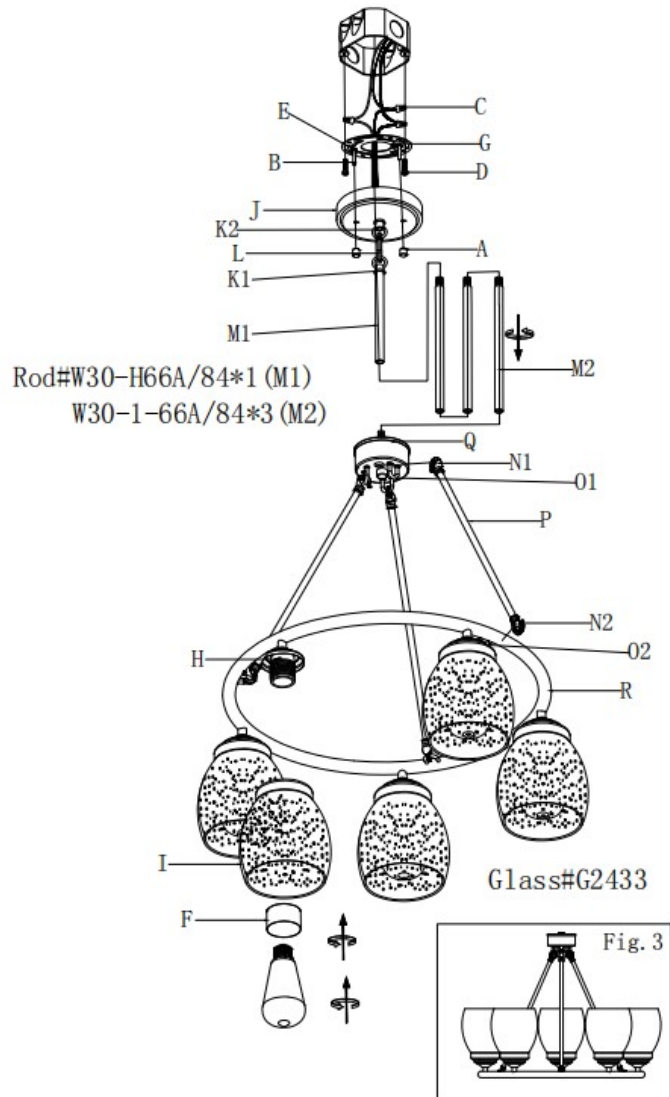


Fig.2

FIXTURE WIRES  
Black or  
Smooth



HOUSE WIRES  
Black  
(Hot)

FIXTURE WIRES  
White or  
Ribbed



HOUSE WIRES  
White  
(Neutral)

FIXTURE WIRES  
Green or  
Bare  
Copper  
(Ground)



HOUSE WIRES  
Green  
(Ground)

# INSTALLATION INSTRUCTIONS

Item#2439-84/878 (New. 08/27/2021)

## READ AND SAVE THESE INSTRUCTIONS

**WARNING! SHUT POWER OFF AT FUSE OR CIRCUIT BREAKER.**

**AVERTISSEMENT! COUPER LE COURANT AU NIVEAU DES FUSIBLES OU DU DISJONCTEUR.**

### MOUNTING THE FIXTURE (Fig.1)

1. Shut off power at the fuse box or circuit breaker and remove the old fixture including the mounting hardware.
2. Carefully unpack your new fixture and lay out all the parts on a clean area. Take care not to lose any small parts necessary for installation.
3. Thread mounting screws (B) into pre-drilled holes in circular strap (G) spaced same distance apart as holes in back plate and tighten with nuts (E). The length of mounting screws (B) may be adjusted if necessary.
4. Attach circular strap (G) to junction box (not included) using junction box screws (D). The side of circular strap marked "GND" must face out.
5. Determine the desired hanging height and thread rods (M2, and M1) to the all thread of the cluster (Q). Screw loop (K1) onto rod (M1). Pass the wires carefully through each rod as you assemble.
6. Attach quick link (L) to loop (K1) and loop (K2) on canopy (J). Carefully feed wires through loop (K1), quick link (L), and loop (K2).
7. Place hook (N1/N3) of rods (P1/P2) onto loop (O1/O3), then place loop (N2/N4) of rods (P1/P2) onto hook (O2/O4) of fixture body.
8. The support cable is provided to support weight of fixture while wiring. Align fixture to circular strap (G) and attach hook (R) on end of support cable (S) to a slot located on circular strap (G). Carefully allow support cable (S) to support weight of the fixture while wiring.

### CONNECTING THE WIRES (Fig.2)

9. Connect the electrical wires as shown in Fig.2, making sure that all wire connectors (C) are secured. If your junction box has a ground wire (green or bare copper), connect the fixture's ground wire to it. Otherwise, connect the fixture's ground wire directly to the circular strap (G) using the green screw provided.
10. Tuck wire connectors neatly into the junction box.

### FINISHING THE INSTALLATION (Fig.1)

11. Place canopy (J) onto screws (B) and secure with finials (A).
12. Unscrew metal ring (F) and place glass shade (I) onto socket cup (H). Secure glass shade (I) with metal ring (F).
13. Install (9) nine medium base (E26) bulbs up to 60 watts each or CFL or LED equivalent (not included) in accordance with the fixture specification—**DO NOT EXCEED THE MAXIMUM WATTAGE RATING! (NE PAS DEPASSER LA PUISSANCE NOMINALE MAXIMALE!)**.

Your installation is now complete. Return power to the junction box and test the fixture.

**Note: Illustration (Fig.1) on this manual is for installation purposes only. It may or may not be**

Fig.1

Set# A-021

-Circular Strap

-Ground Screw

-Mounting Screw\*2

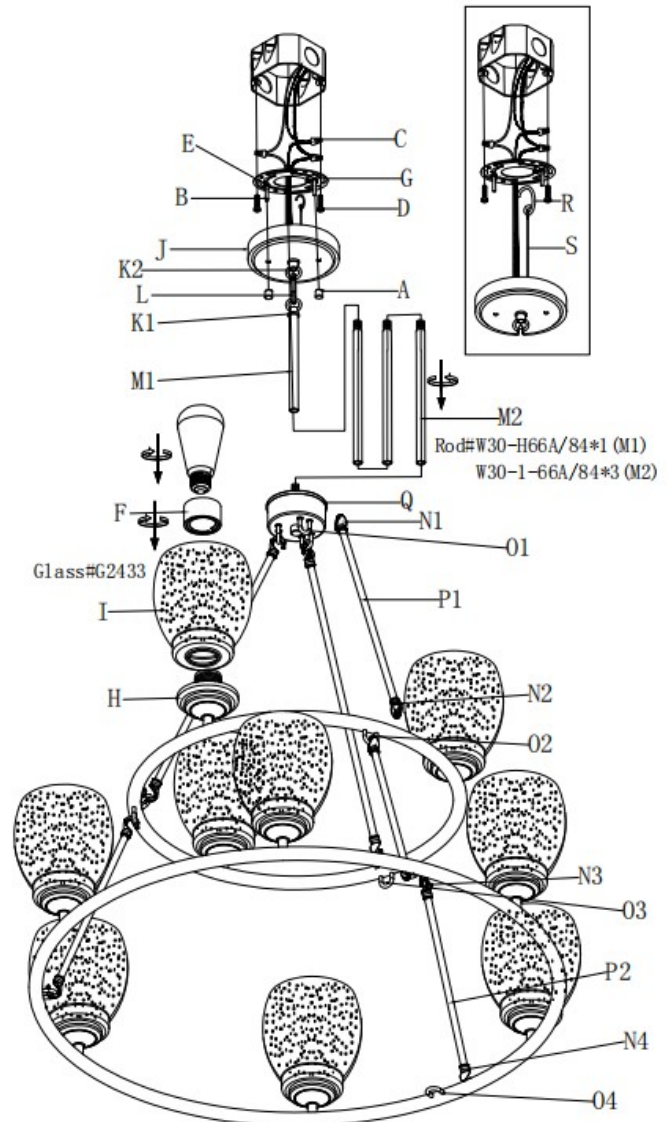


Fig.2

FIXTURE WIRES  
Black or  
Smooth



HOUSE WIRES  
Black  
(Hot)

FIXTURE WIRES  
White or  
Ribbed



HOUSE WIRES  
White  
(Neutral)

FIXTURE WIRES  
Green or  
Bare  
Copper  
(Ground)



HOUSE WIRES  
Green  
(Ground)