

# Cubix<sup>™</sup>

24Z0004K

Tall Pendant

## Cubix™ Product Information and Warnings

### Important

- **Always disconnect the power before installing or replacing Luminaires and before cleaning or other maintenance.**
- **Consult a qualified, licensed electrician to ensure correct branch circuit conductor.**
- ***Consulter un électricien qualifié pour vous assurer que les conducteurs de la dérivation sont adéquats.***
- Please read all included assembly instructions and warnings carefully before installation. Contact Customer Service if you have any questions or concerns. Before installation, please confirm that the fixture is compatible with your supply voltage and dimming system, if present.
- LEDs are highly sensitive electronic devices, and must be treated with care. Do not open any factory sealed compartments, and avoid touching the LEDs with your hands or any object.
- Although all our fixtures are equipped with protective devices, LED electronic systems are vulnerable to power surges and supply variations. Do not install LED fixtures on the same circuit as any motors, appliances, or HVAC systems.
- Remote LED Driver installation must be done by a licensed electrician and in accordance with local building and electrical codes. Remote installations should be in an accessible location, as close to the fixture as possible. The appropriate wire gauge must be used to limit the voltage drop to avoid overloading the LED Driver.
- Any mounting hardware is provided for your convenience and should be used with discretion. Always use the appropriate hardware for the mounting surface.
- All factory-made splices and connections must remain intact. LED circuits are carefully designed and built, and improper connections may damage the fixture.
- The ends of coaxial pendant cords have been precisely stripped and split at the factory and must not be field cut. Excess cord or cable should be neatly coiled and reserved in the fixture canopy.
- Cubix™ LED Drivers are 24VDC Constant Voltage output.
- Cubix™ is suitable for installation in Damp Locations.

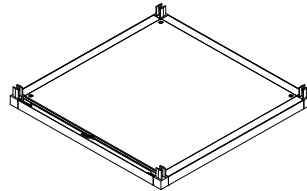
## Welcome to Cubix™

A Cubix configuration is built from a series of cubes with lit panels shining down. The system is made of light panels, arms, and connector pieces, allowing different configurations. The fixture is supported by cable ceiling hangers, and is connected to the ceiling canopy.

## What comes in the box

### Light Panels

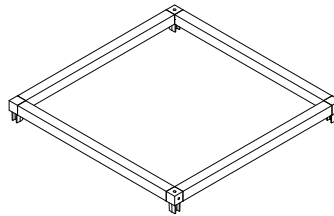
Refer to Appendix C  
for full component breakdown



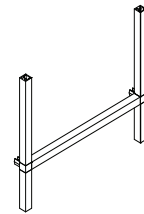
Light Panel  
(24KK1LPAA-24KK1LPJT)

### Light Panels, Frames, and Arm Frames

Refer to Appendix C  
for full component breakdown



Frames  
(24KK1HFAA-24KK1HFTT)

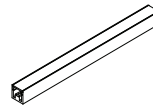


Arm Frames  
(24KK1VFAT-24KK1VFDT)

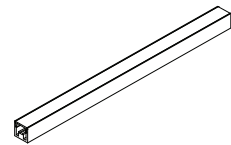
### Arms and Arm Caps



24AK04 (8)

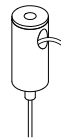


24AK08 (10)

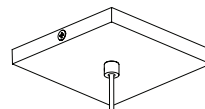


24AK12 (27)

### Hangers and Canopy

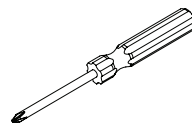


24SKC06 (7)

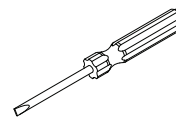


24SKP06 (1)

### Miscellaneous



Phillips Screwdriver (1)



Slotted Screwdriver (1)



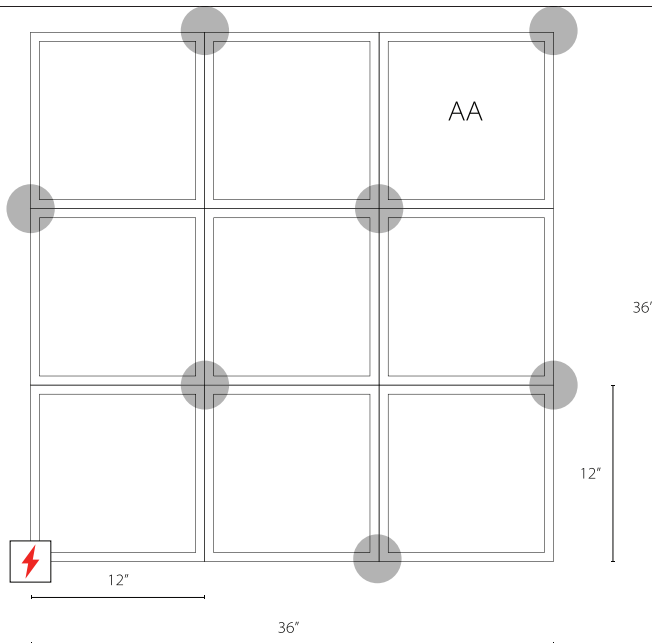
Countersunk Screws  
(110)

## Installing Cord and Cable drops

Before installing the fixture, follow the diagram in Fig. 1a and 1b and install the Mounting Plate and Cable Grippers into the ceiling and outlet box.

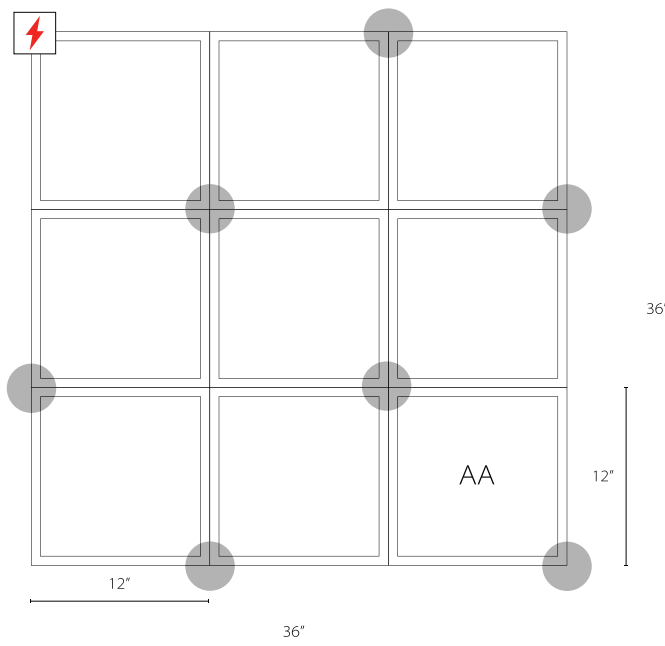
View From Above

Fig. 1a



View From Below

Fig. 1b



Power Cord Drop



Cable Drop

## Installing Cord and Cable drops

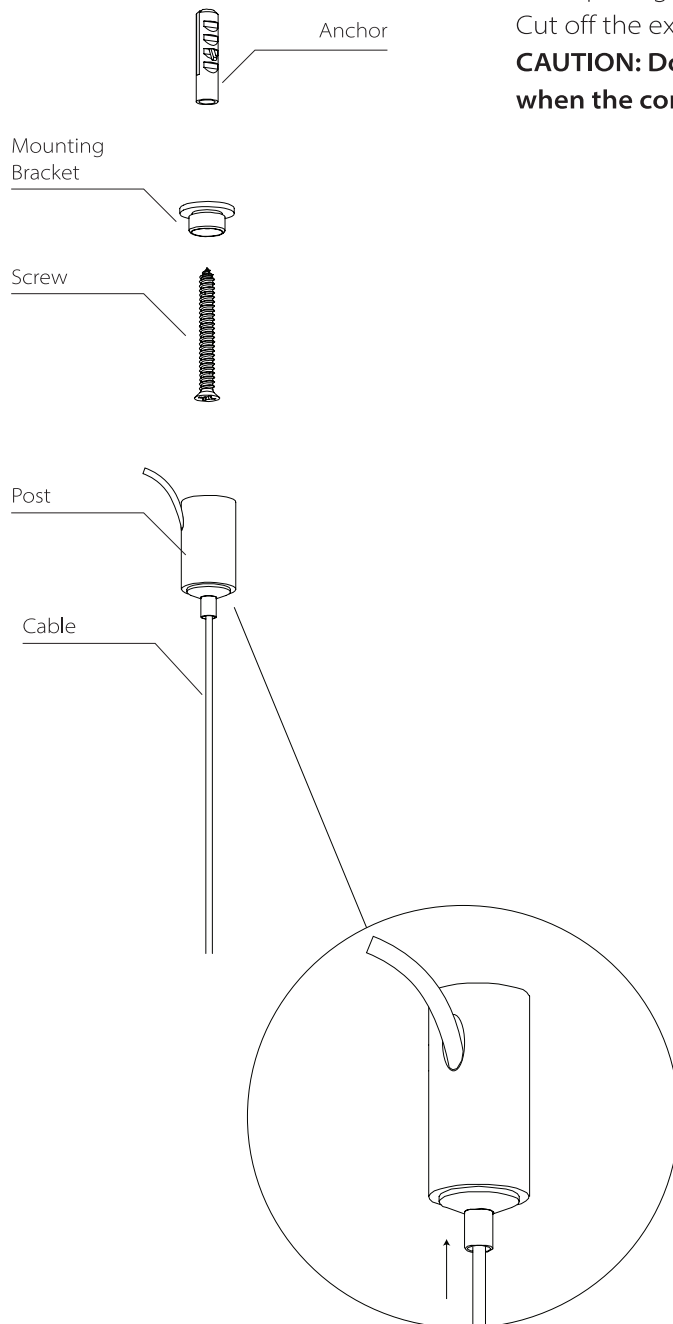
1. After the suspension drop locations have been determined, install the Mounting Bracket to the ceiling with Anchor (if appropriate) and Screw, then screw the Post onto the Mounting Bracket.

**CAUTION: Customer is responsible for ensuring appropriate ceiling construction to support the weight of the fixture.**

2. Insert the Cable into the Post and adjust to the desired length: to shorten, push the cable up; to lengthen, push in the plunger while pulling down on the Cable, release the plunger to lock.

Cut off the excess cable where it exits the Post.

**CAUTION: Do not cut off excess cable until after the final step when the configuration is fully assembled and leveled.**



## Remote power supply and 24SKP06 installation

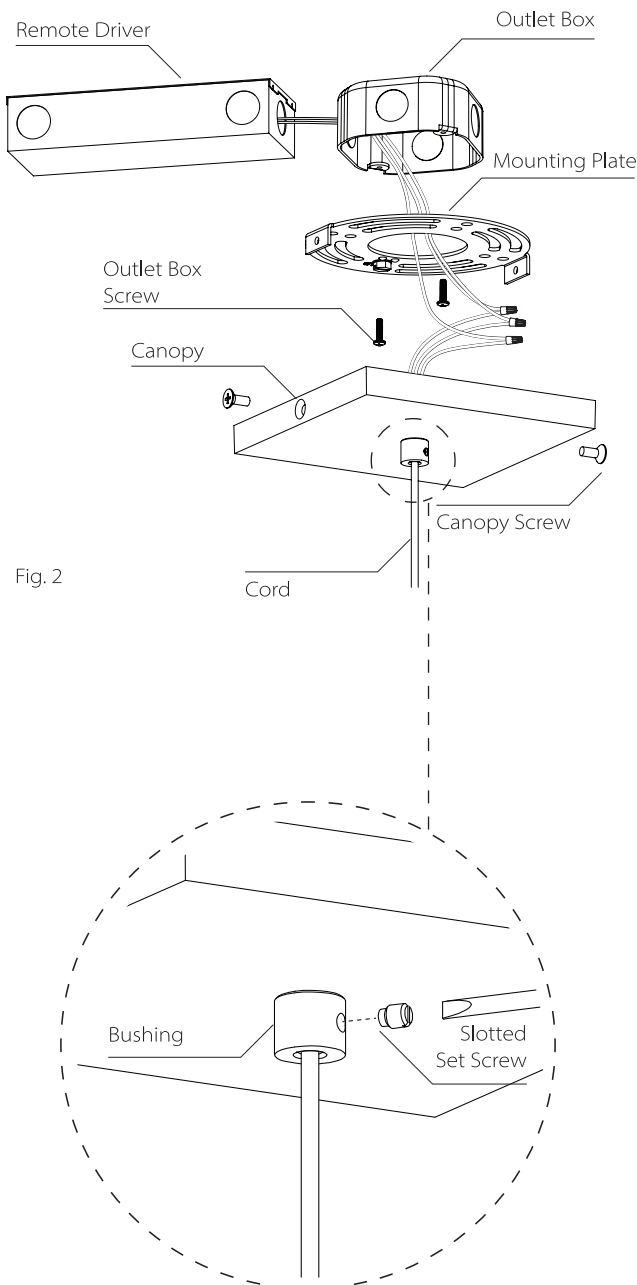


Fig. 2

1. Shut off power to the Outlet Box.
2. Install the Power Supply in a remote and accessible location near the fixture in accordance with local electrical code. Make appropriate electrical connections using wire nuts:
  - a. Connect the Power Supply's live wire (black) to the live supply wire.
  - b. Connect the Power Supply's neutral wire (white) to the neutral supply wire.
  - c. Connect the Power Supply's ground wire (green or uncoated) to the ground supply wire.
  - d. Connect the Power Supply's positive (+) output wire (red) to the required length of red wire (not included) to reach the Outlet Box.
  - e. Connect the Power Supply's negative (-) output wire (black) to the required length of black wire (not included) to reach the Outlet Box.
3. Install Mounting Plate to Outlet Box using Outlet Box Screws.
 

**NOTE: Do not continue 24SKP06 Installation until completing Component Installation Step 19 on page 25.**
4. Feed Cord from fixture through Bushing of Canopy and tighten Slotted Set Screw with included Slotted Screwdriver.
5. Make appropriate electrical connections using wire nuts (Appendix A):
  - a. Connect the LED driver's live wire (black) to the live outlet box wire.
  - b. Connect the LED driver's neutral wire (white) to the neutral outlet box wire.
  - c. Connect the canopy's ground wire (green or uncoated) to the ground outlet box wire. If no ground is present in outlet box, connect canopy's ground wire to the mounting plate using the green screw (included).
  - d. Connect the fixture inner conductor to the red driver output wire and connect the fixture outer conductor to the black driver output wire.
  - e. Carefully place connections in Outlet Box.
6. Install Canopy to Mounting Plate by hooking one end to the bend first and then tightening with Canopy Set Screws using the included Slotted Screwdriver.
7. Continue with Step 19c of Component Installation on page 25.

## Component Installation *Instructions d'installation*

### 1. First section (24KK1LPAA assembly)

- 1a. Install (3x) 24AK12 and (1x) 24AK08 to 24KK1HFAA using countersunk screws in orientation shown in Fig. 3a and 3b. This is how you will install all countersunk screws for the rest of the assembly.

**NOTE: Pay close attention to arm orientation, as it will affect wiring in later stages.**

- 1b. Install 24KK1LPAA to other end of Vertical Arms in orientation shown in Fig. 3a. Install 24AK04 to open corner of 24KK1LPAA.
- 1c. Install 24SKC06 into hanging corners and tighten set screw with included Slotted Screwdriver (Fig. 3c). This is how you will install all 24SKC06 for the rest of the assembly.
- 1d. Section as part of whole assembly shown in Fig. 3d.

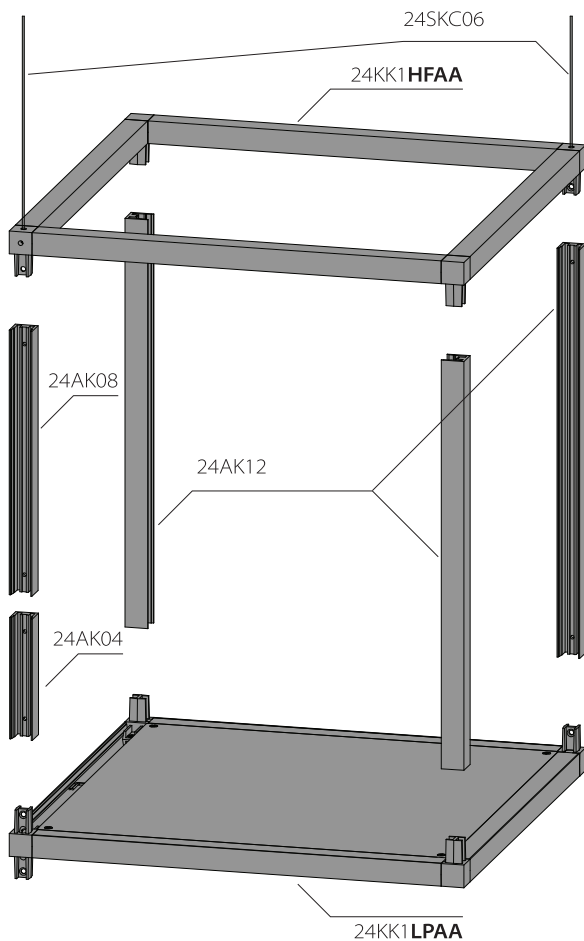


Fig. 3a

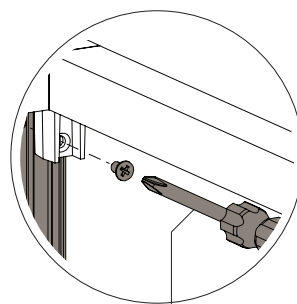


Fig. 3b

Phillips  
Screwdriver

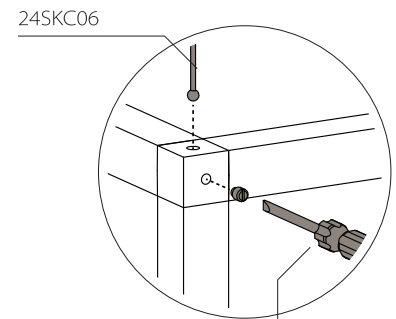


Fig. 3c

Slotted  
Screwdriver

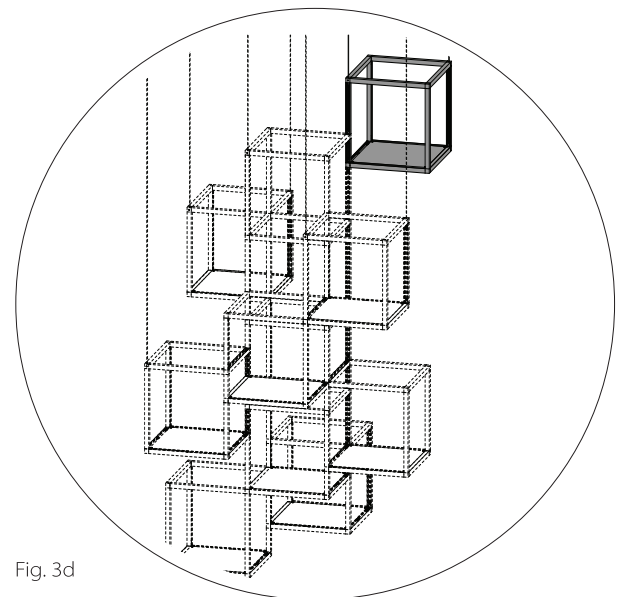


Fig. 3d

## Component Installation *Instructions d'installation*

### 2. Second section

- 2a. Install 24KK1HFRT to 24KK1LPAA assembly as shown in Fig. 4a. Install 24SKC06 into hanging connectors and tighten set screw with included Slotted Screwdriver.
- 2b. Using the cord and cable drop installation diagram on page 4, suspend assembled components with Cable Grippers (not shown).
- 2c. Section as part of whole assembly shown in Fig. 4b.

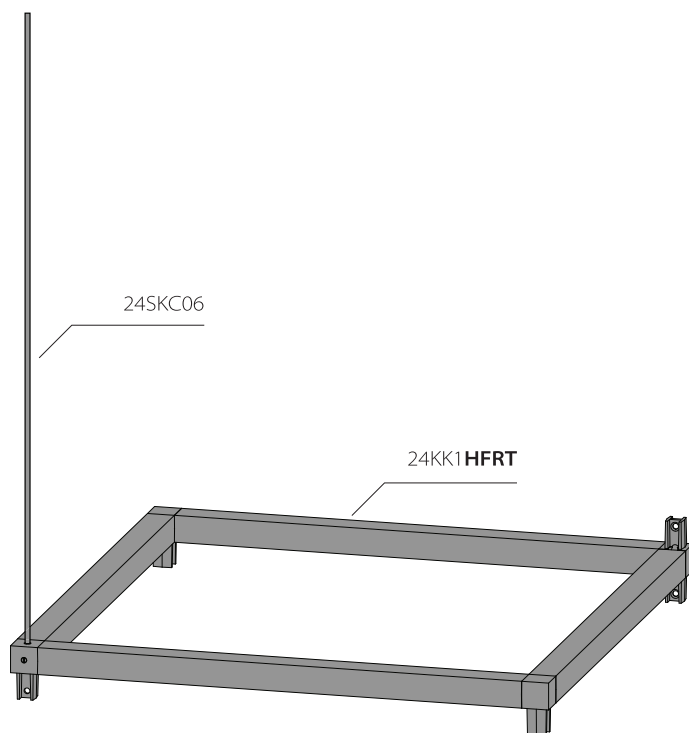


Fig. 4a

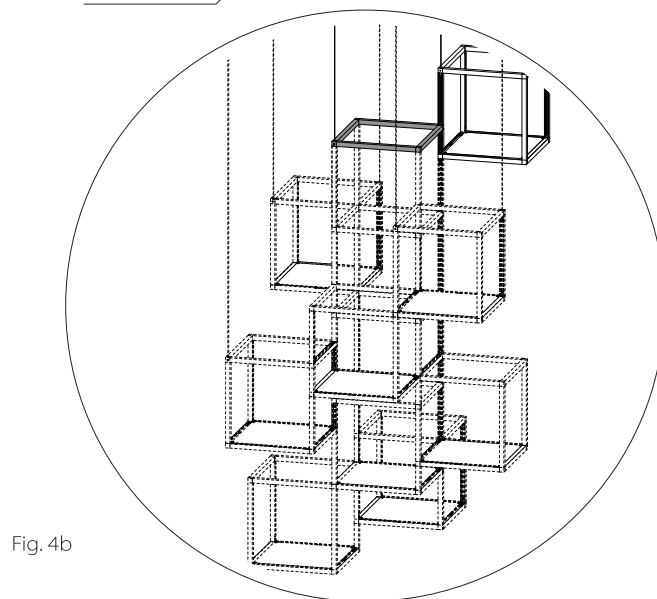
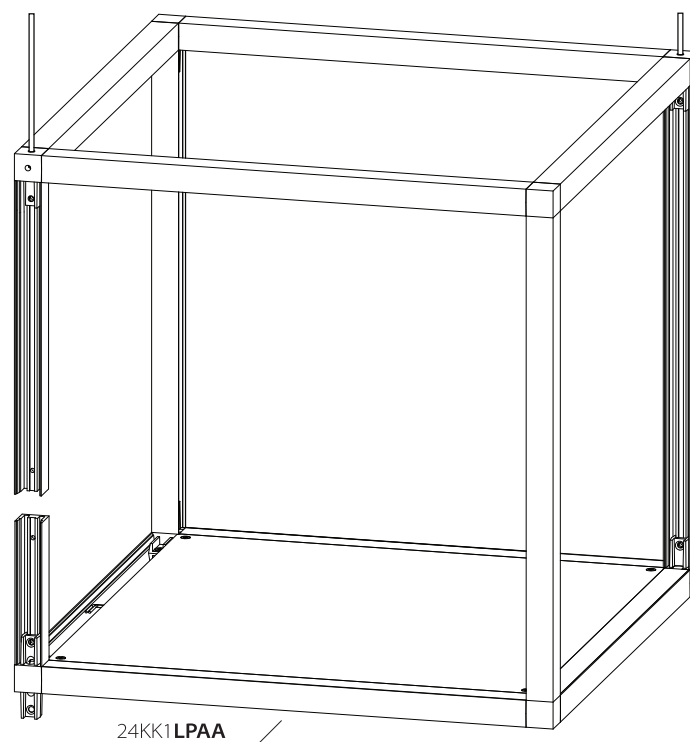


Fig. 4b



## Component Installation *Instructions d'installation*

### 3. Third section

- 3a. Install 24KK1VFAT, (2x) 24AK12, and (1x) 24AK08 to 24KK1HFST and install assembly to 24KK1HFRT in the orientation shown.

**NOTE: Pay close attention to arm orientation, as it will affect wiring in later stages.**

- 3b. Using Fig. 1 on page 4 as a reference, suspend assembly with Cable Grippers (not shown).  
3c. Section as part of whole assembly shown in Fig. 5b.

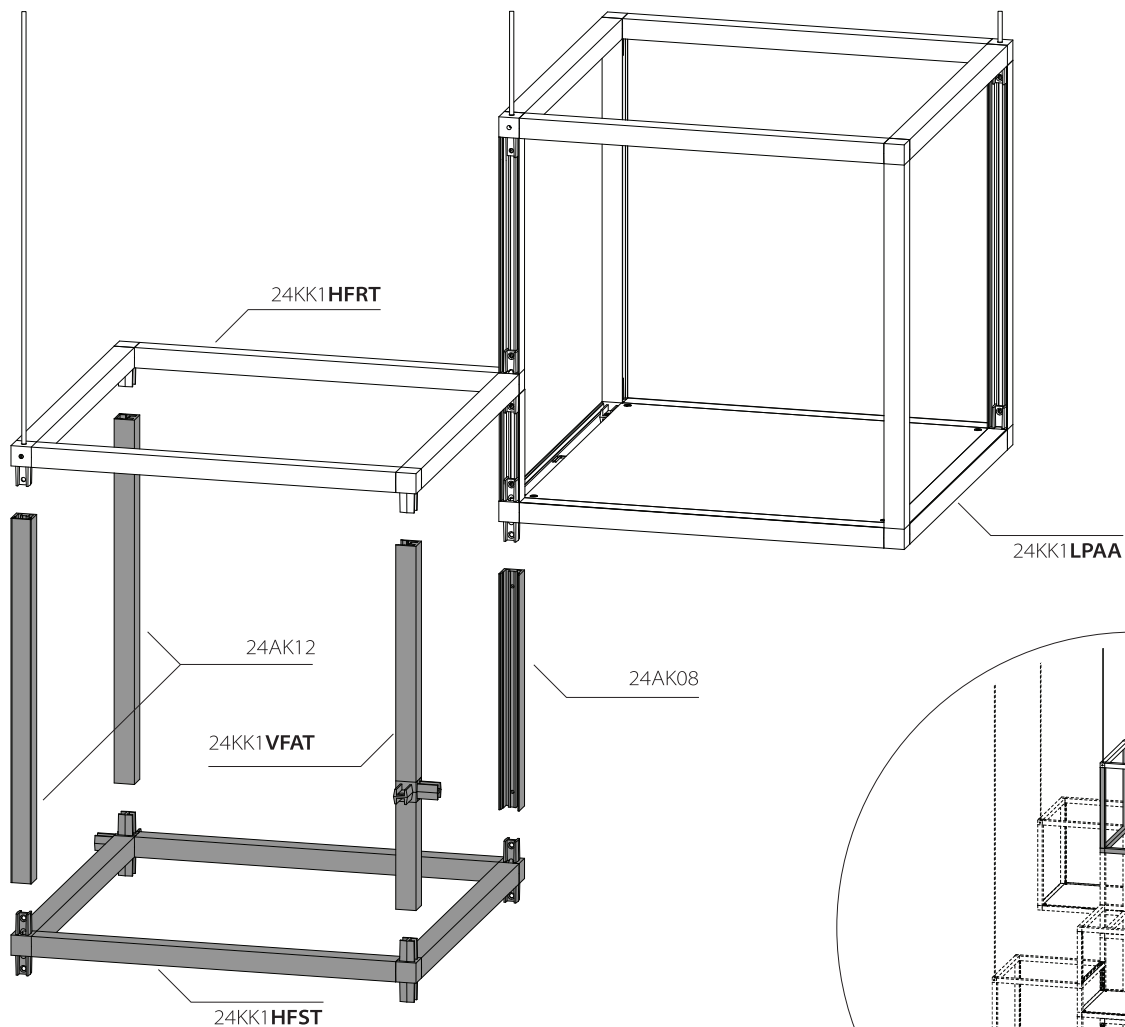


Fig. 5a

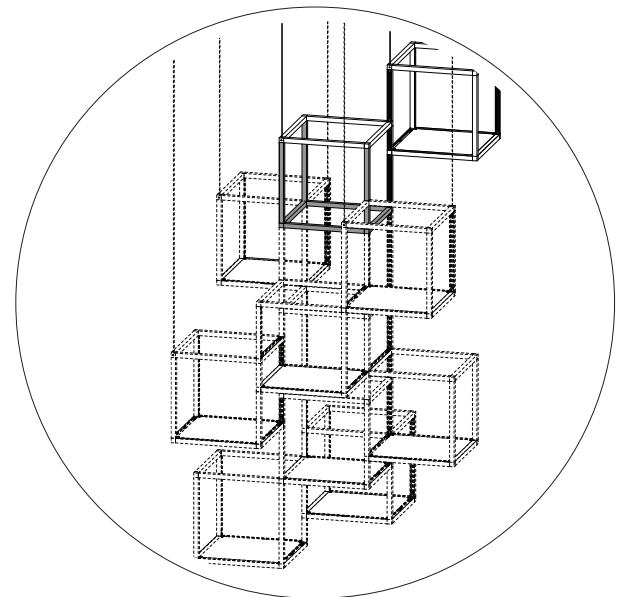


Fig. 5b

## Component Installation *Instructions d'installation*

### 4. Fourth section

- 4a. Install 24KK1HFBT to 24KK1HFST in the orientation shown in Fig. 6a.
- 4b. Install 24SKC06 to hanging connectors and tighten set screw with included Slotted Screwdriver. Using Fig. 1 on page 4 as a reference, suspend added 24SKC06 to Cable Grippers (not shown).
- 4c. Section as part of whole assembly shown in Fig. 6b.

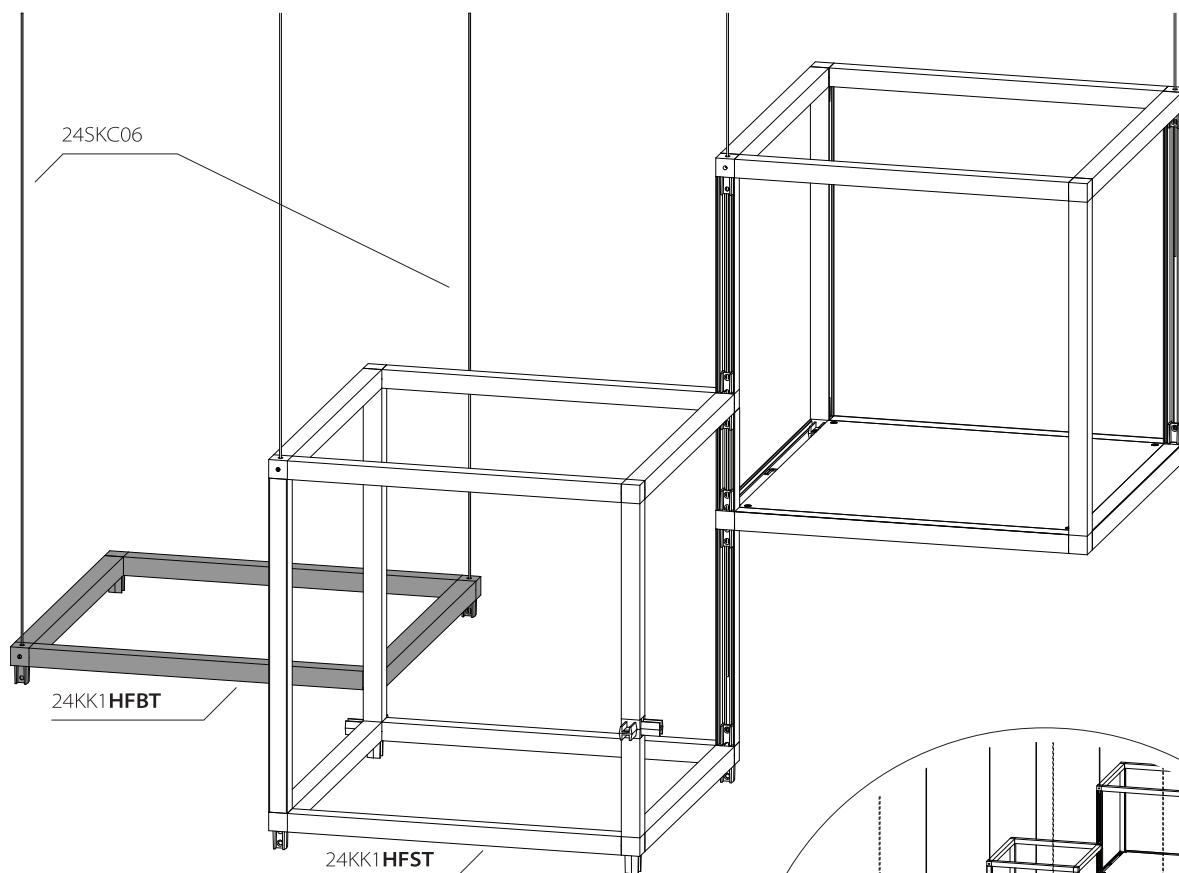


Fig. 6a

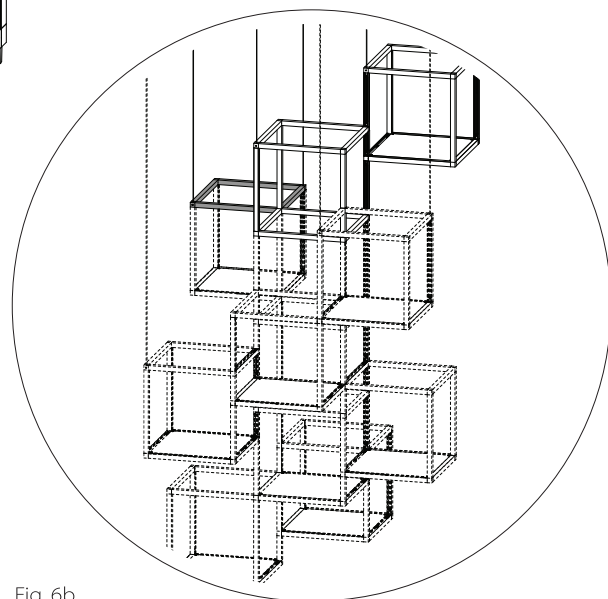


Fig. 6b

## Component Installation *Instructions d'installation*

### 5. Fifth section

- 5a. Install 24KK1 **HFBT** to Arm Frame Connector as shown in Fig. 7a. Install 24SKC06 to hanging corner and tighten set screw with included Slotted Screwdriver.
- 5b. Section as part of whole assembly shown in Fig. 7b.

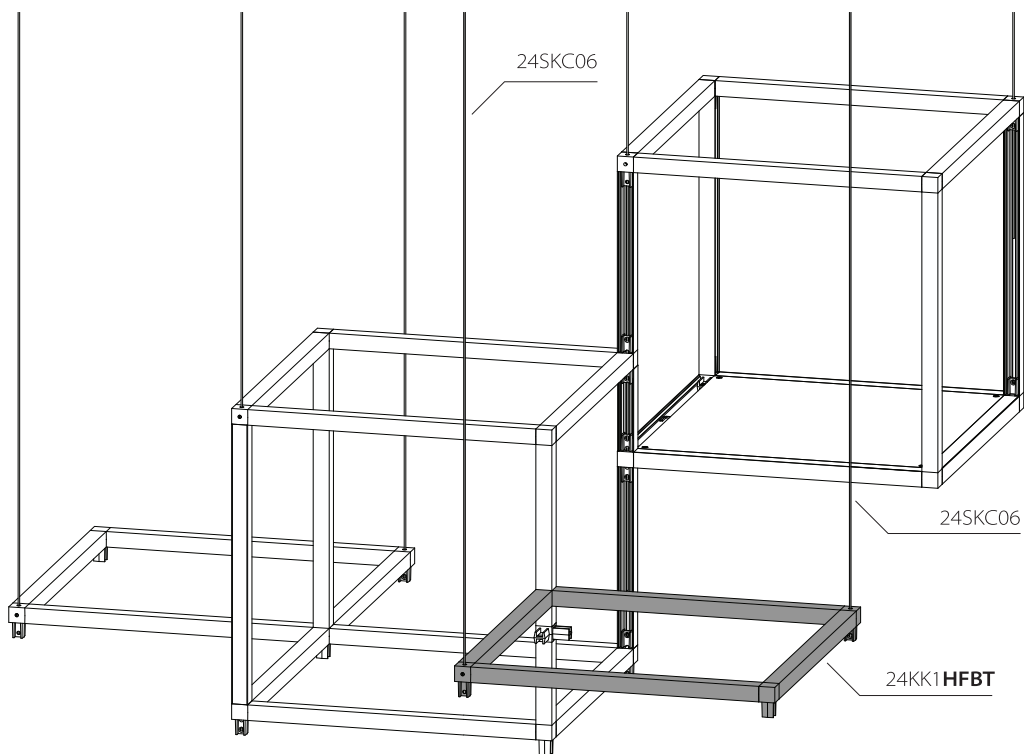


Fig. 7a

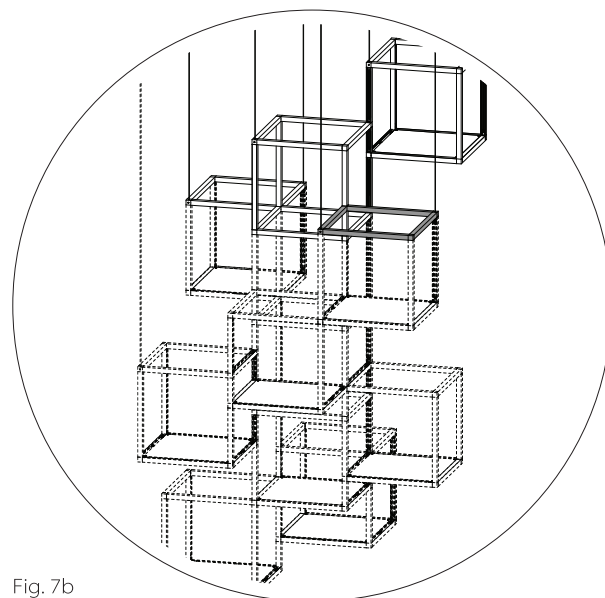


Fig. 7b

## Component Installation *Instructions d'installation*

### 6. Sixth section

6a. Install (3x) 24AK12 and (1x) 24AK08 to 24KK1LPCT and install to 24KK1HFST in the orientation shown in Fig. 8a.

**NOTE: Pay close attention to arm orientation, as it will affect wiring in later stages.**

6b. Section as part of whole assembly shown in Fig. 8b.

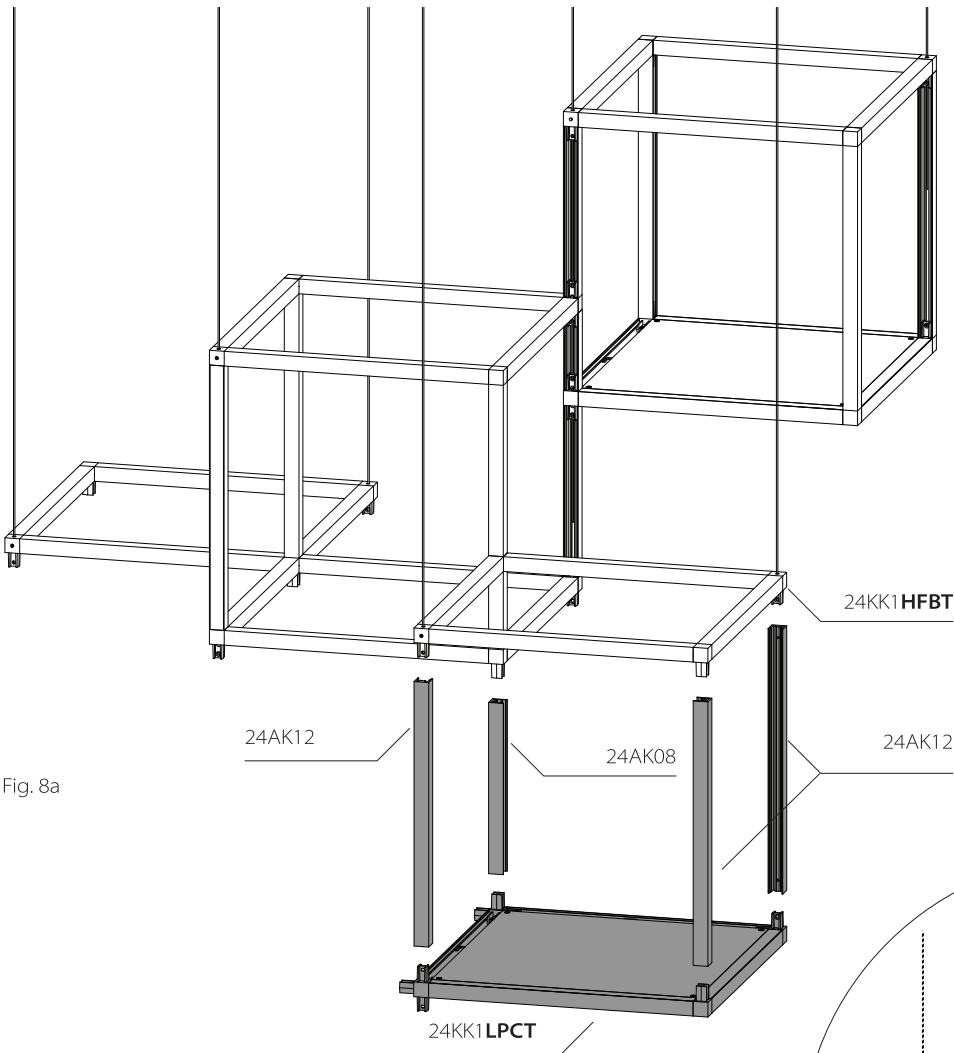


Fig. 8a

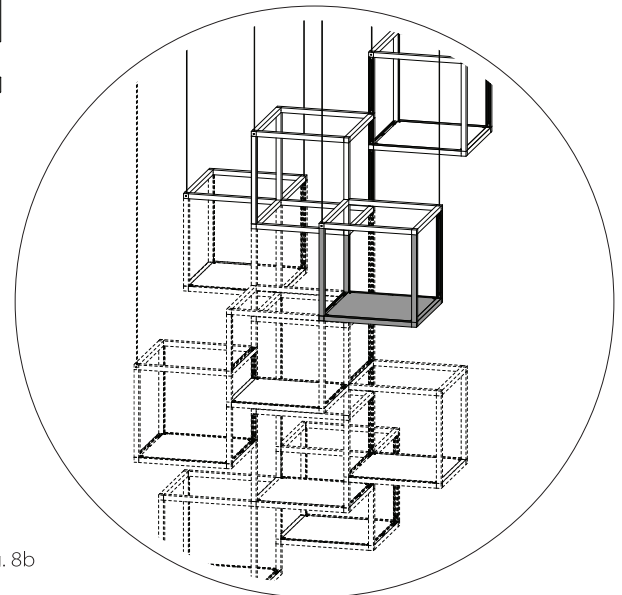


Fig. 8b

## Component Installation *Instructions d'installation*

### 7. Seventh section

- 7a. Install 24KK1LPBT to 24KK1HFTT.
- 7b. Install 24KK1HFTT to 24KK1LPBT and install 24KK1VFBT, (5x) 24AK12, and (1x) 24AK04 to 24KK1LPBT and 24KK1HFTT assembly in orientation shown in Fig. 9a and install assembly to 24KK1HFBT, 24KK1HFST, and 24KK1LPCT assembly in the orientation shown in Fig. 9a.

**NOTE: Pay close attention to arm orientation, as it will affect wiring in later stages.**

- 7c. Section as part of whole assembly shown in Fig. 9b.

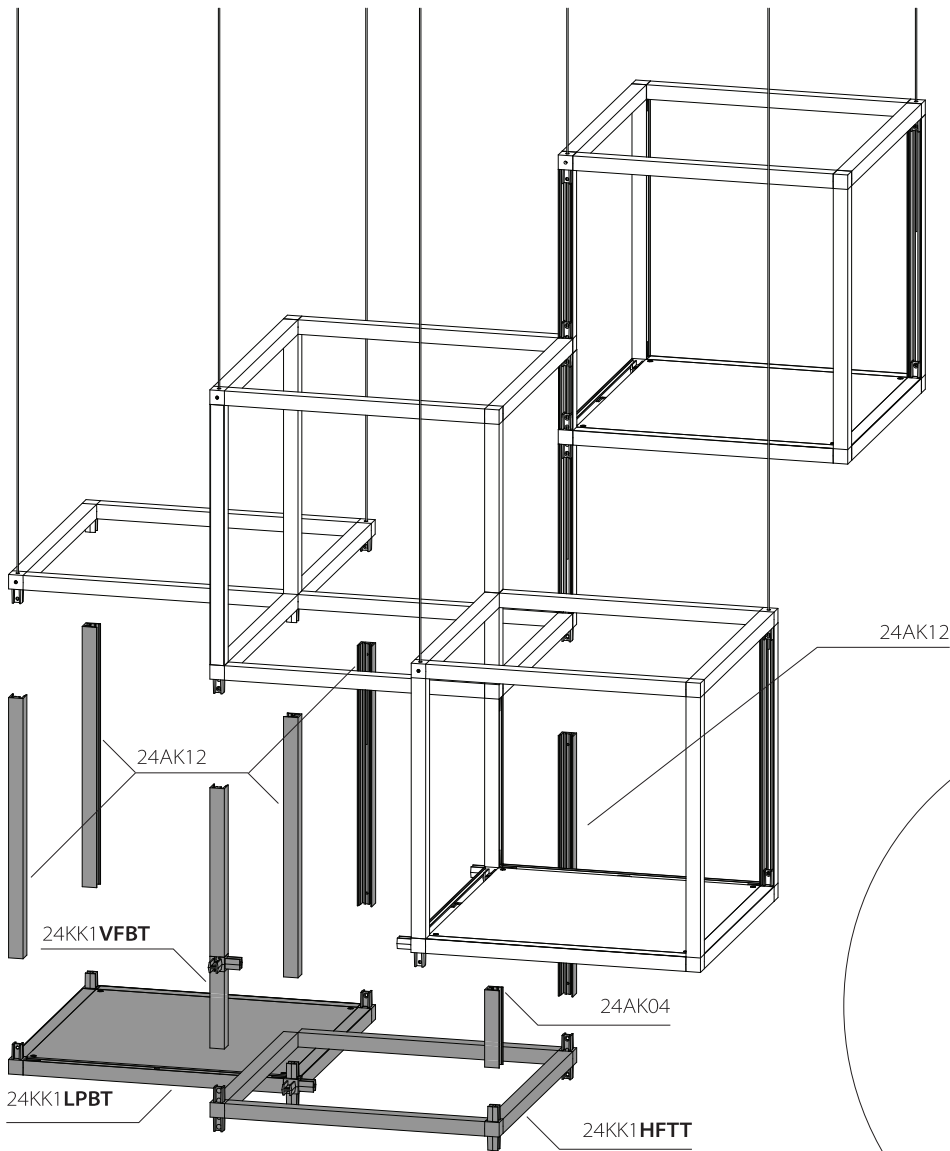


Fig. 9a

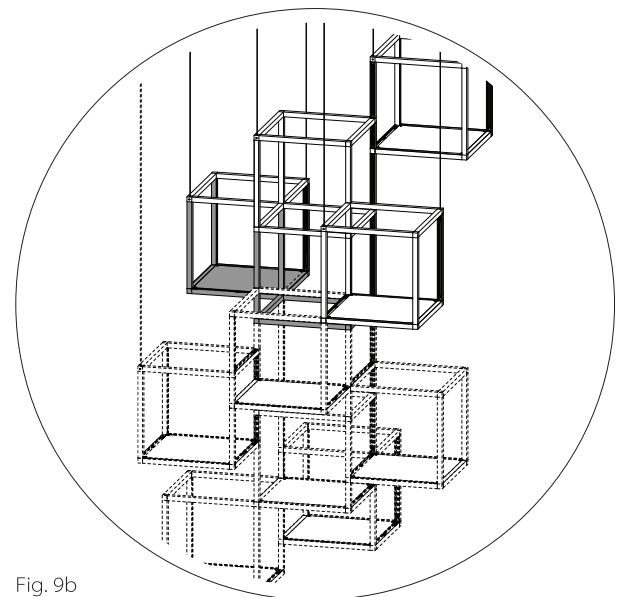


Fig. 9b

## Component Installation *Instructions d'installation*

### 8. Eighth section

- 8a. Install (1x) 24AK12 in the orientation shown in Fig. 10a to bridge 24KK1VFBT to 24KK1LPCT.

**NOTE: Pay close attention to arm orientation, as it will affect wiring in later stages.**

- 8b. Install 24KK1HFDT to 24KK1VFBT and 24KK1LPCT in the orientation shown in Fig. 10a.  
8c. Section as part of whole assembly shown in Fig. 10b.

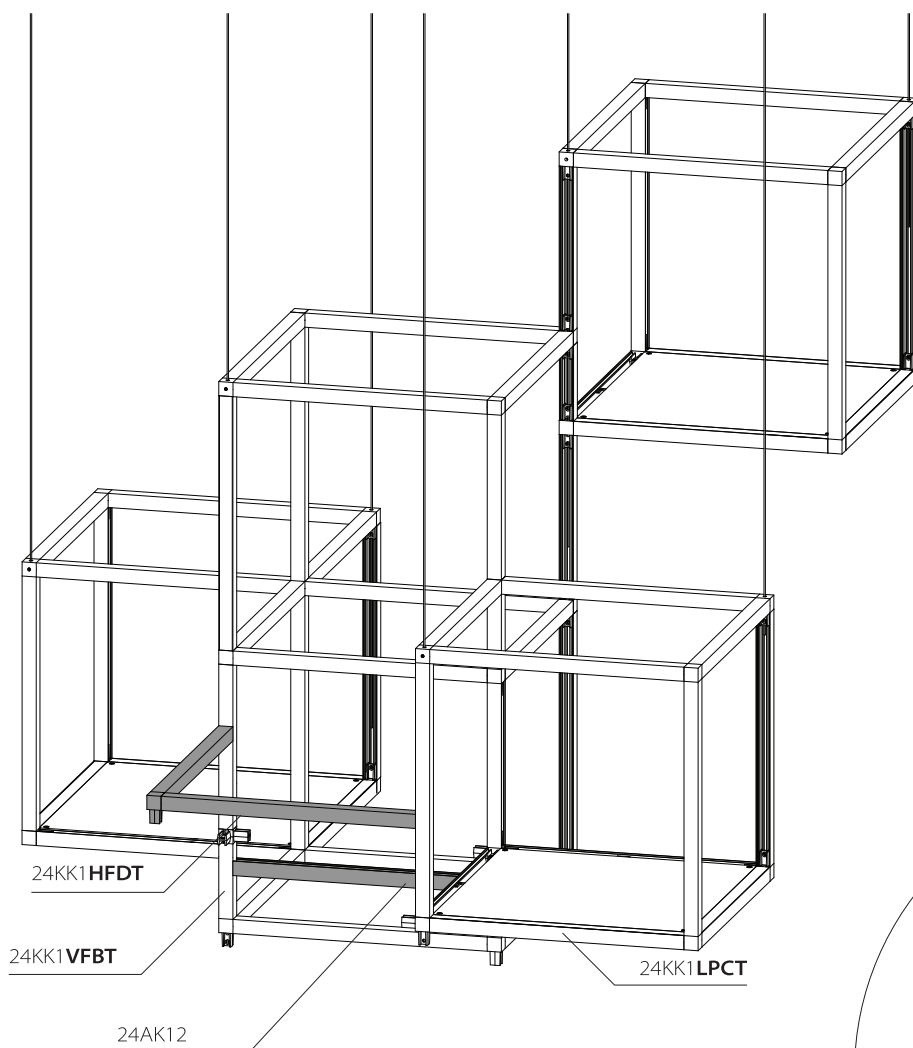


Fig. 10a

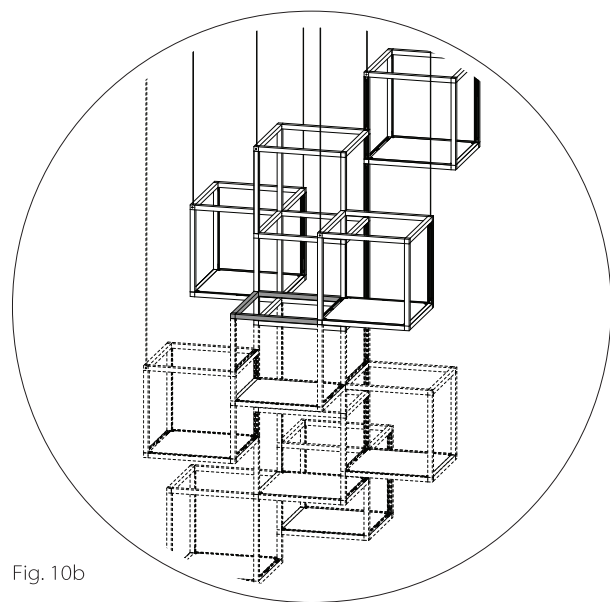


Fig. 10b

## Component Installation *Instructions d'installation*

### 9. Ninth section

- 9a. Install 24KK1VFCT, (1x) 24AK12, and (1x) 24AK08 to 24KK1LPDT in the orientation shown in Fig. 11a and install the assembly to 24KK1HFBT, 24KK1HFDT, and 24KK1LPCT as shown in Fig. 11a.

**NOTE: Pay close attention to arm orientation, as it will affect wiring in later stages.**

- 9b. Section as part of whole assembly shown in Fig. 11b.

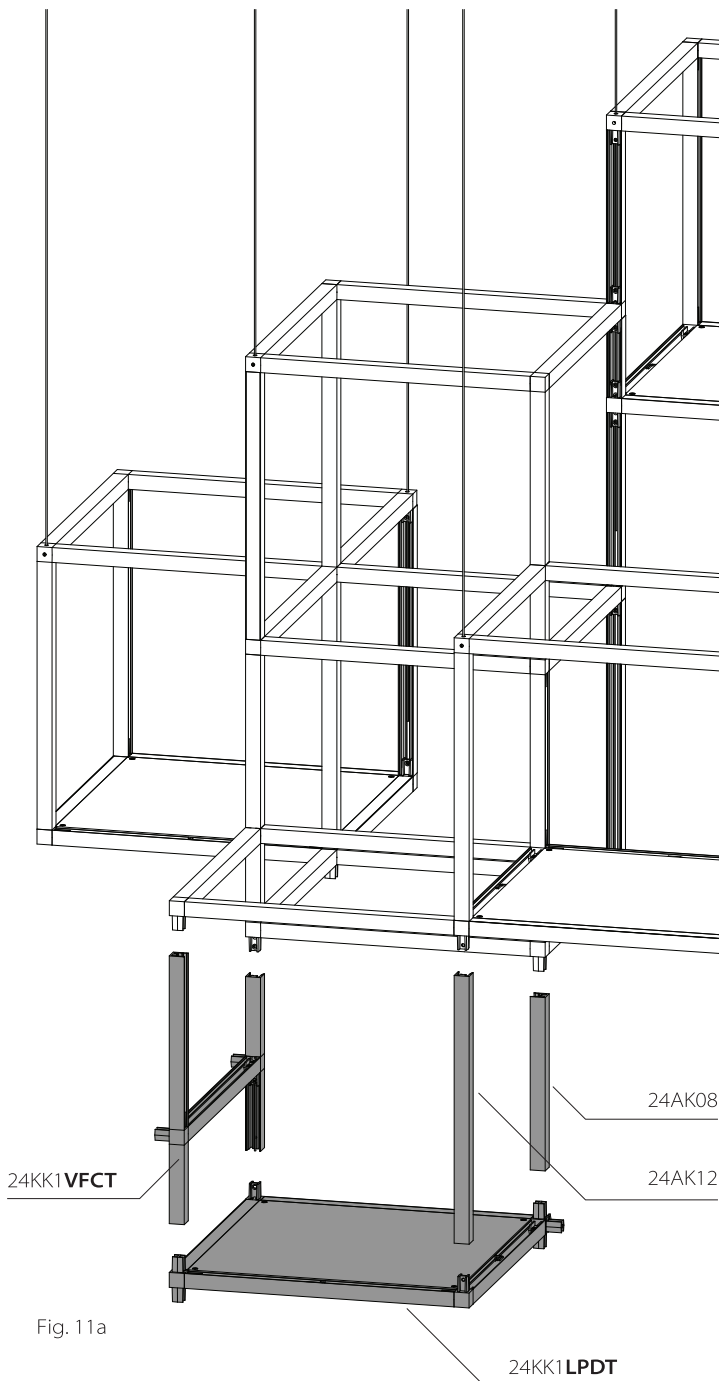


Fig. 11a

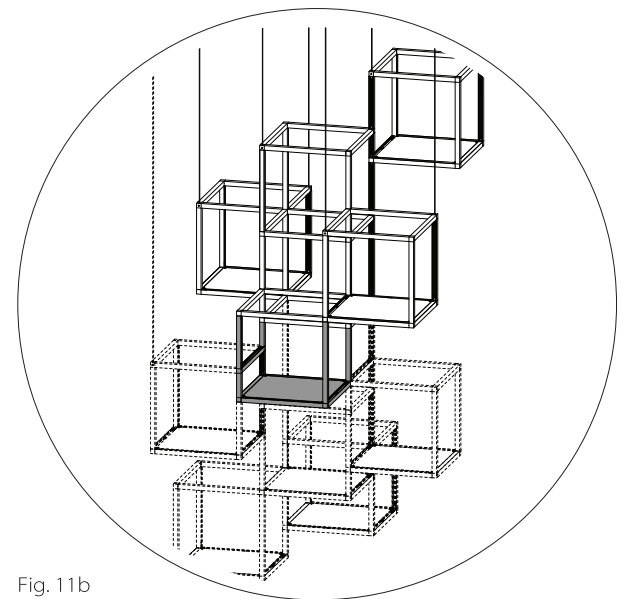


Fig. 11b

## Component Installation *Instructions d'installation*

### 10. Tenth section

10a. Install 24KK1VFDT, (1x) 24AK12, and (2x) 24AK04 to 24KK1HFGT in the orientation shown in Fig. 12a.

10b. Install assembly to 24KK1HFTT and 24KK1LPDT as shown in Fig. 12a.

**NOTE: Pay close attention to arm orientation, as it will affect wiring in later stages.**

10c. Section as part of whole assembly shown in Fig. 12b.

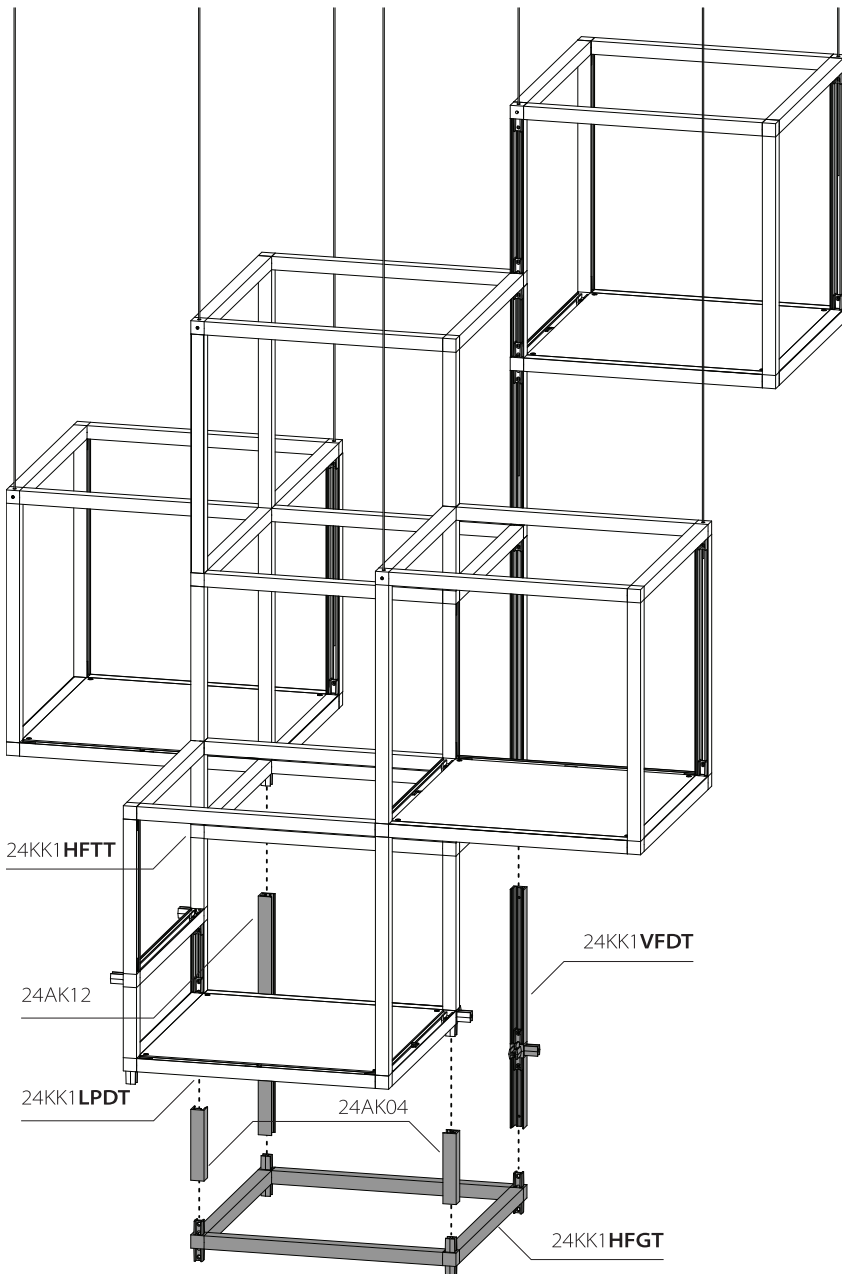


Fig. 12a

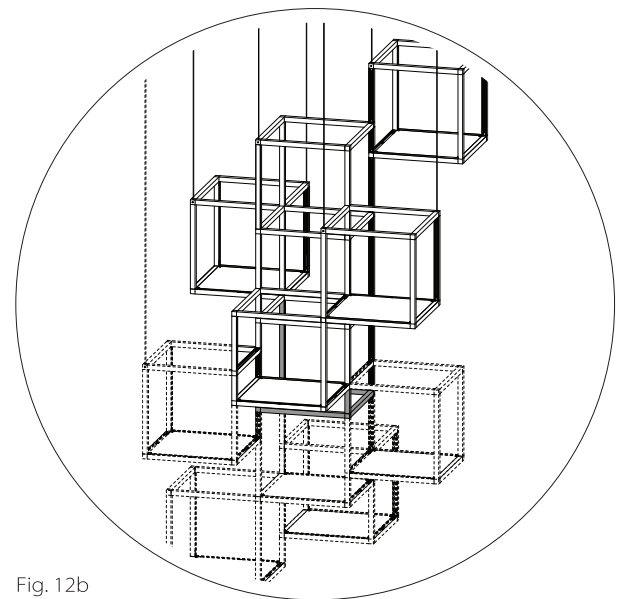


Fig. 12b



## Component Installation *Instructions d'installation*

### 11. Eleventh section

11a. Install (1x) 24AK12 to bridge 24KK1LPDT to 24KK1VFDT as shown in Fig. 13a.

11b. Install 24KK1HFET to 24KK1LPDT and 24KK1VFDT in the orientation shown in Fig. 13a.

**NOTE: Pay close attention to arm orientation, as it will affect wiring in later stages.**

11c. Section as part of whole assembly shown in Fig. 13b.

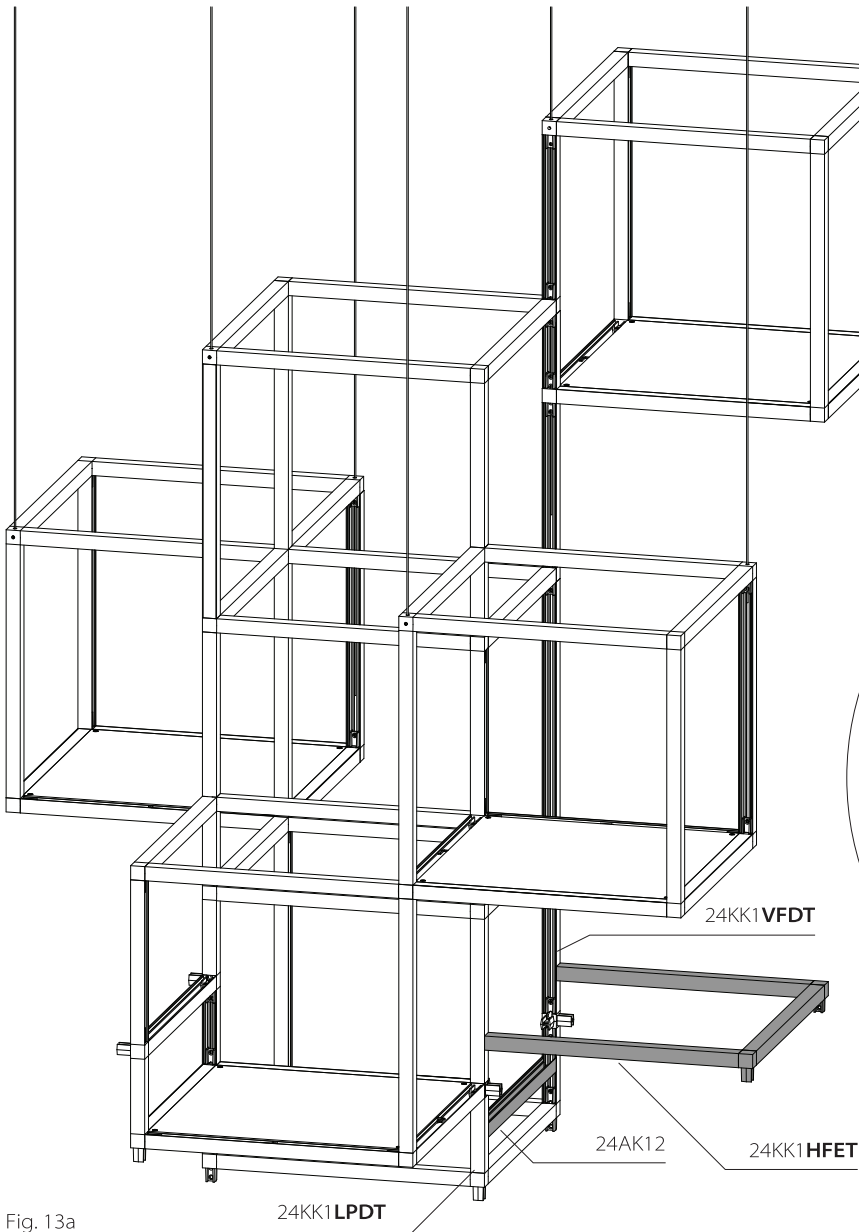


Fig. 13a

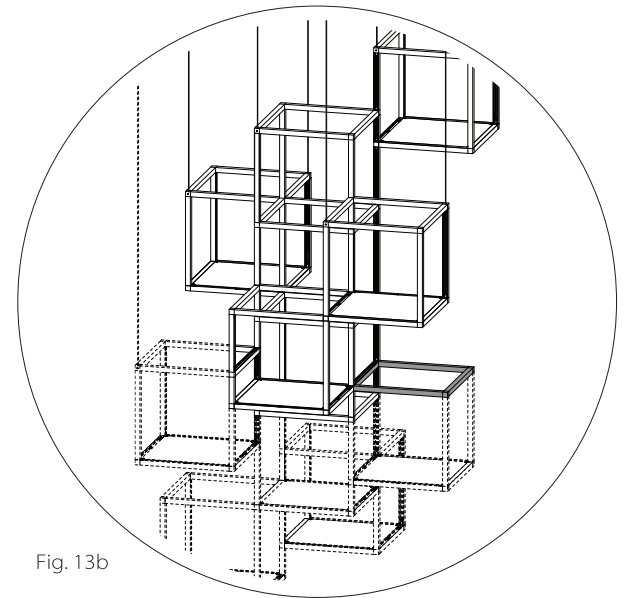


Fig. 13b

**Component Installation**  
**Instructions d'installation**

**12. Twelfth section**

12a. Install (2x) 24AK12 and (2x) 24AK08 to 24KK1LPET in the orientation shown in Fig. 14a.

12b. Install assembly to 24KK1LPDT and 24KK1HFET as shown in Fig. 14a.

**NOTE: Pay close attention to arm orientation, as it will affect wiring in later stages.**

12c. Section as part of whole assembly shown in Fig. 14b.

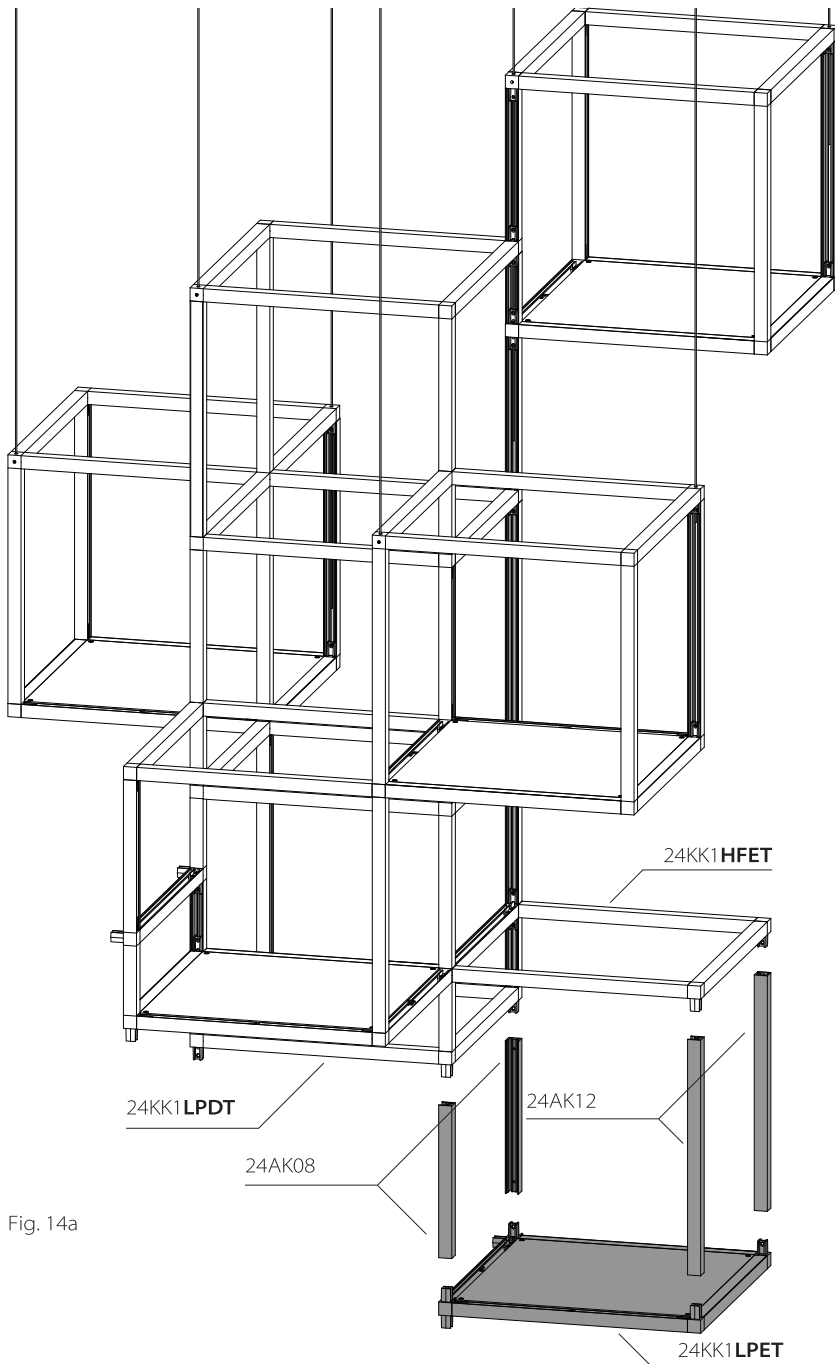


Fig. 14a

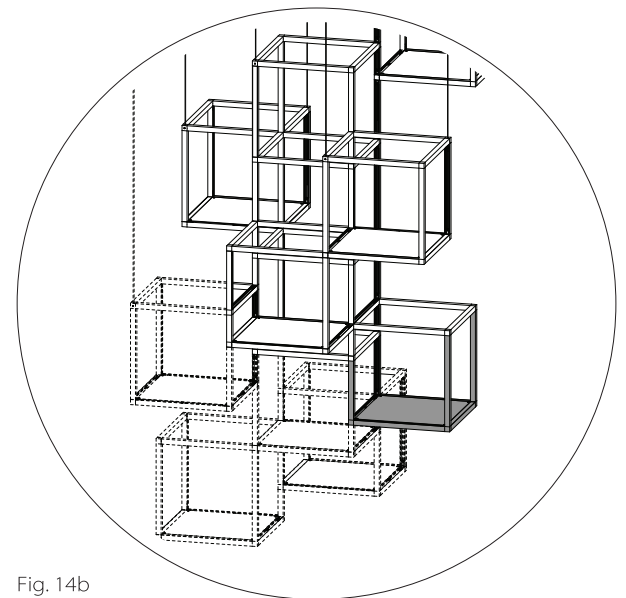


Fig. 14b

## Component Installation *Instructions d'installation*

### 13. Thirteenth section

13a. Install 24KK1HFDA to 24KK1VFCT in the orientation shown in Fig. 15a.

13b. Section as part of whole assembly shown in Fig. 15b.

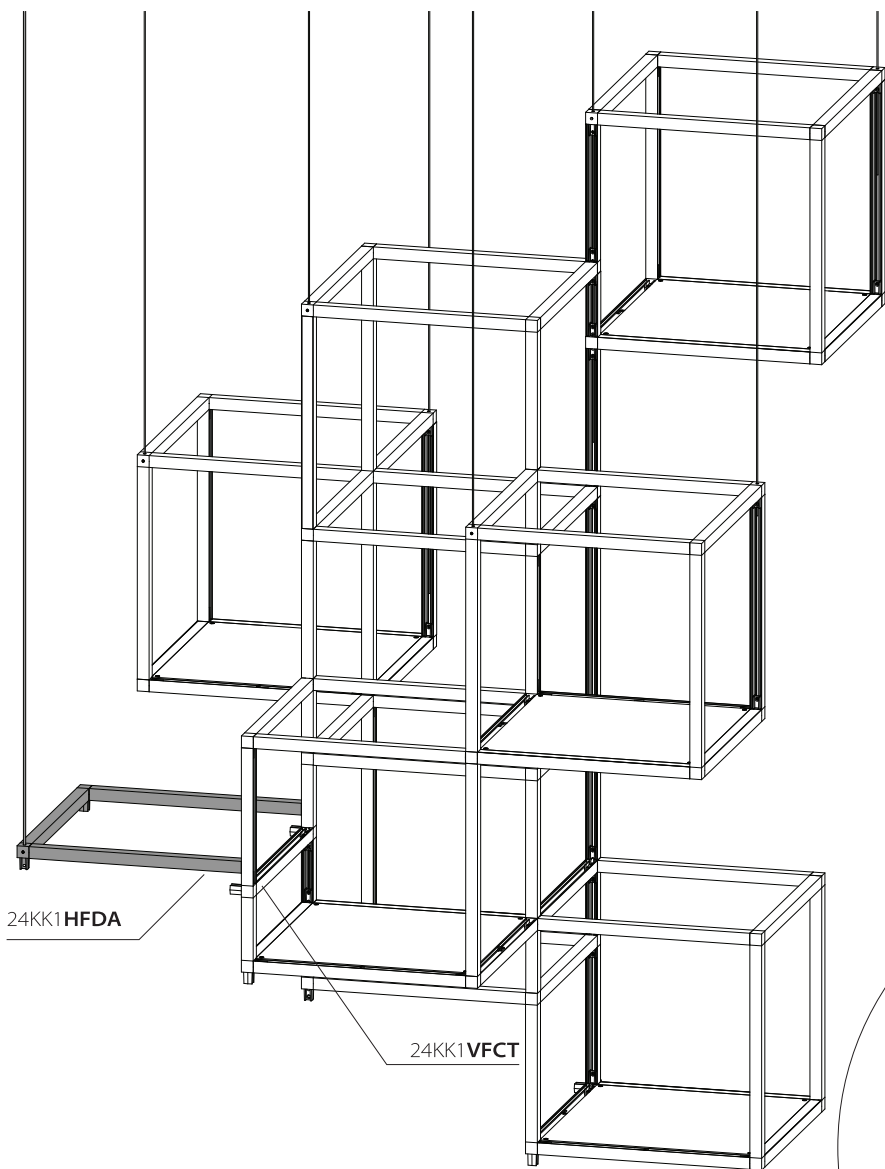


Fig. 15a

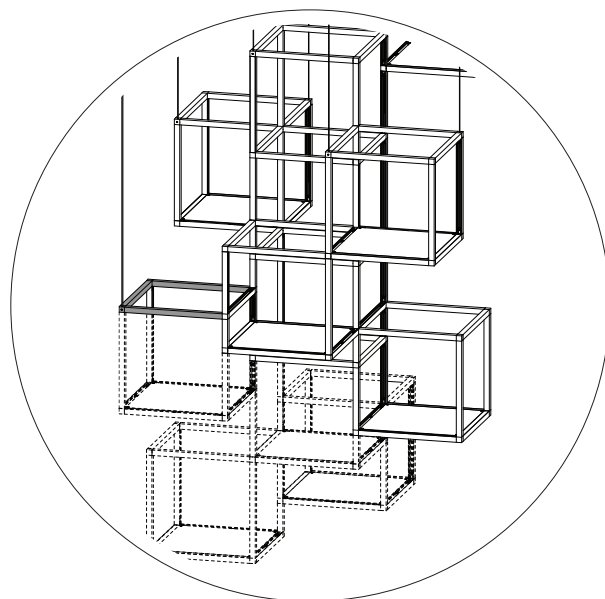


Fig. 15b

## Component Installation Instructions d'installation

### 14. Fourteenth section

- 14a. Install (2x) 24AK12, (1x) 24AK08, and (1x) 24AK04 to 24KK1LPFT in the orientation shown in Fig. 16a making sure that 24AK04 is on the 4 way connector.
- 14b. Install assembly to 24KK1HFDA, 24KK1HFST, and 24KK1LPET as shown and continue 24SKP06 Installation Instructions by feeding 24SKP06 through hanging connector. Tighten set screw with included Slotted Screwdriver.

**NOTE: Pay close attention to arm orientation, as it will affect wiring in later stages.**

- 14c. Section as part of whole assembly shown in Fig. 16b.

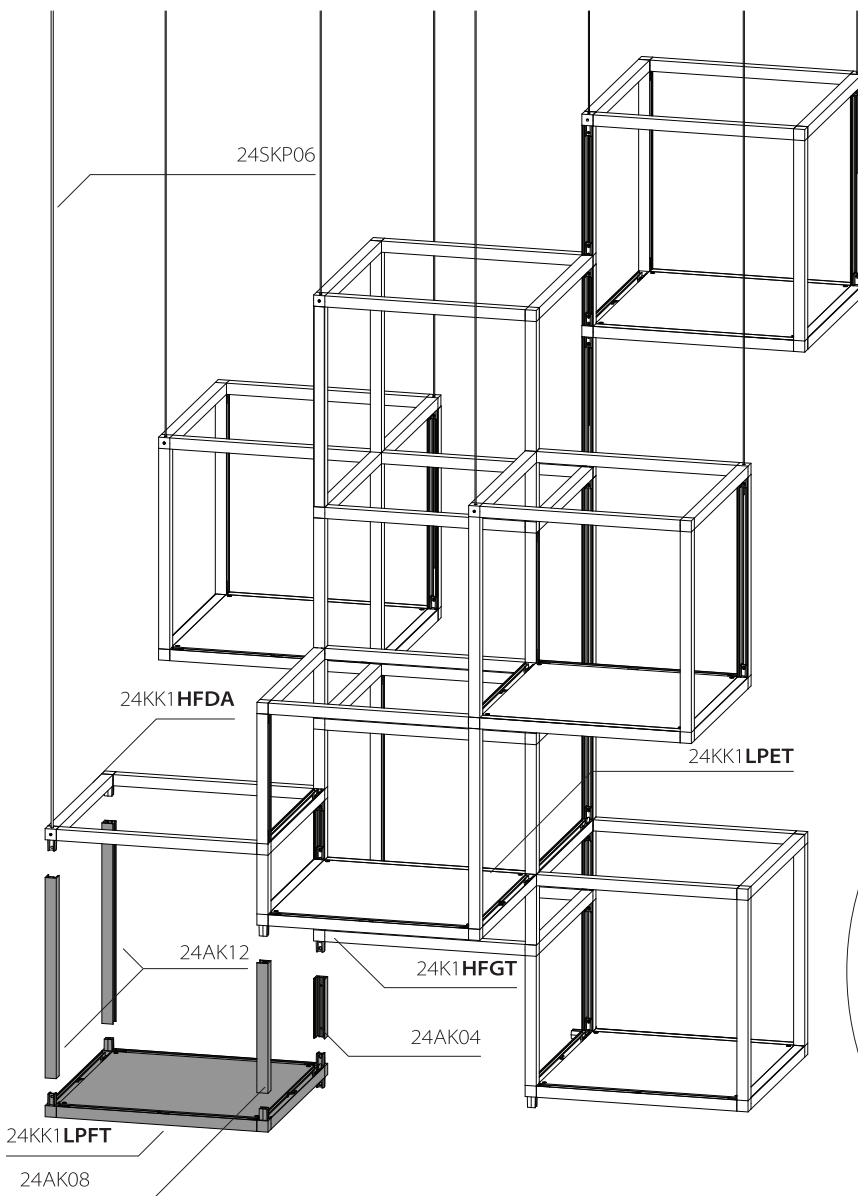


Fig. 16a

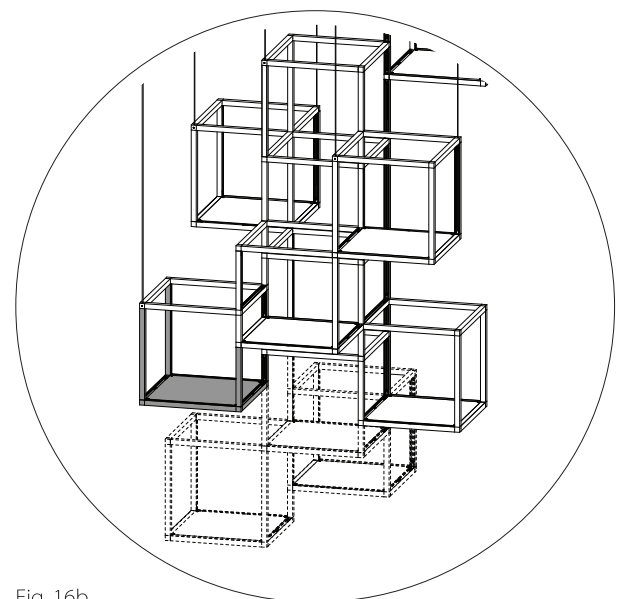


Fig. 16b

**Component Installation**  
**Instructions d'installation**

**15. Fifteenth section**

15a. Install 24KK1VFDT, (1x) 24AK08, and (2x) 24AK04 to 24KK1LPGT in the orientation shown in Fig. 17a.

15b. Install assembly to 24KK1LPET and 24KK1LPFT in the orientation shown in Fig. 17a.

**NOTE: Pay close attention to arm orientation, as it will affect wiring in later stages.**

15c. Install (1x) 24AK12 to bridge 24KK1VFDT to 24KK1LPET.

15d. Section as part of whole assembly shown in Fig. 17b

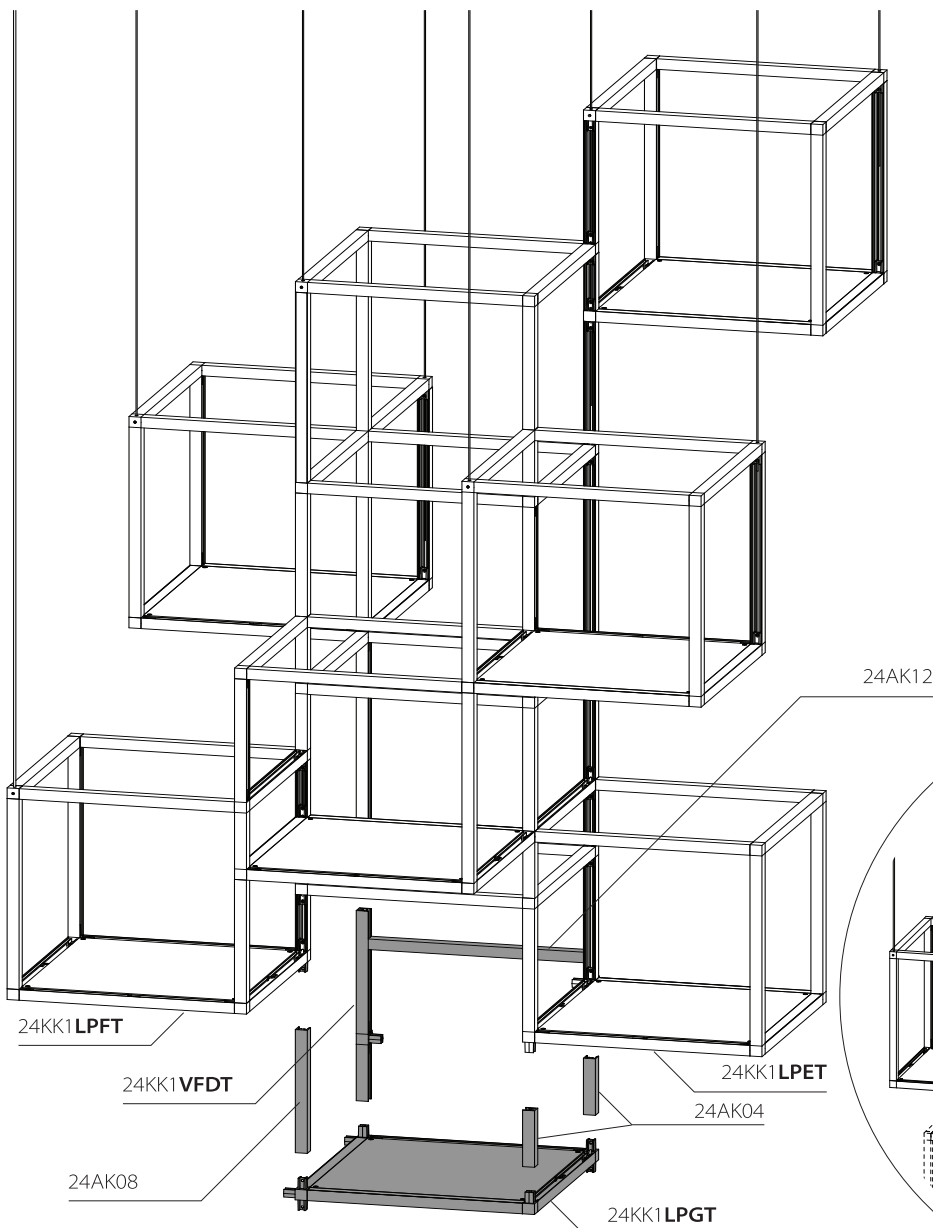


Fig. 17a

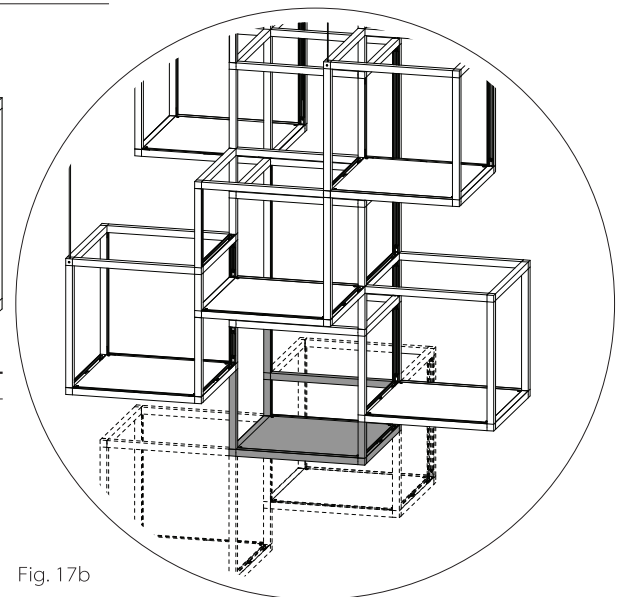


Fig. 17b

## Component Installation *Instructions d'installation*

### 16. Sixteenth section

16a. Install 24KK1HFET to 24KK1LPET and 24KK1VFDT in the orientation shown in Fig. 18a.

16b. Section as part of whole assembly shown in Fig. 18b.

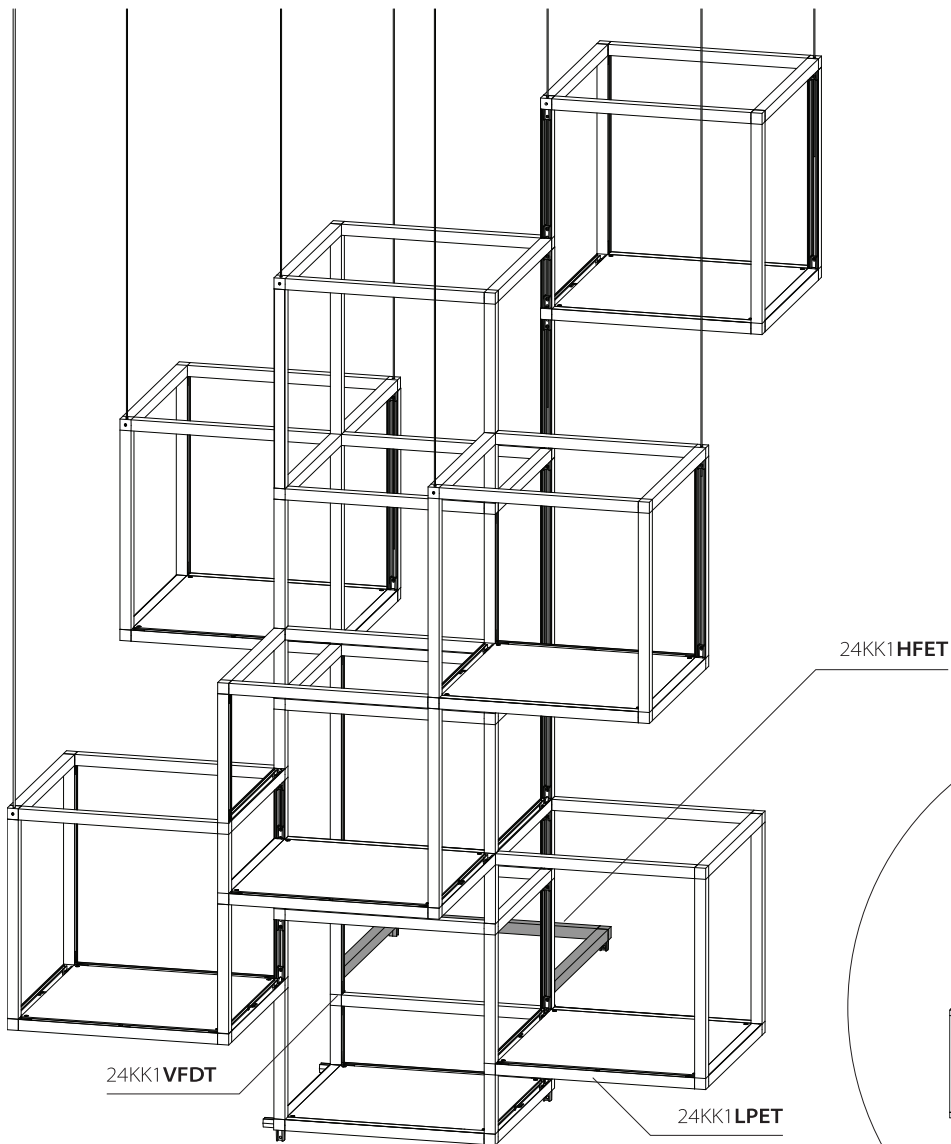


Fig. 18a

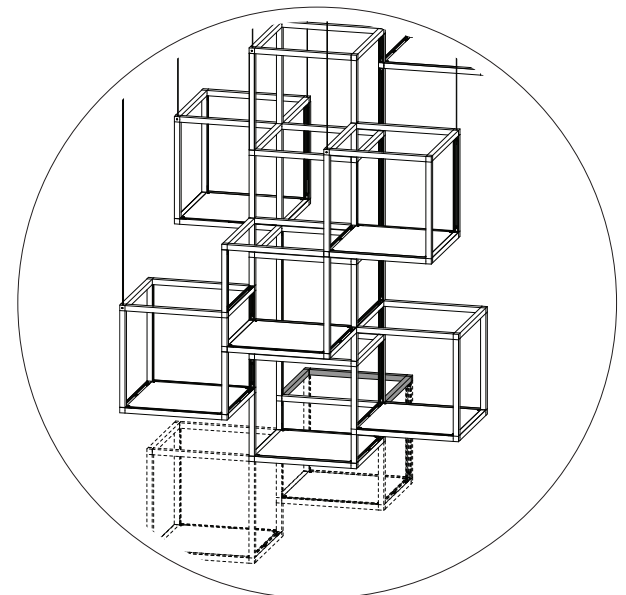


Fig. 18b

**Component Installation**  
**Instructions d'installation**

**17. Seventeenth section**

17a. Install (2x) 24AK12 and (2x) 24AK08 to 24KK1LPHT in the orientation shown in Fig. 19a. Install assembly to 24KK1LPGT and 24KK1HFET as shown in Fig. 19a.

**NOTE: Pay close attention to arm orientation, as it will affect wiring in later stages.**

17b. Section as part of whole assembly shown in Fig. 19b.

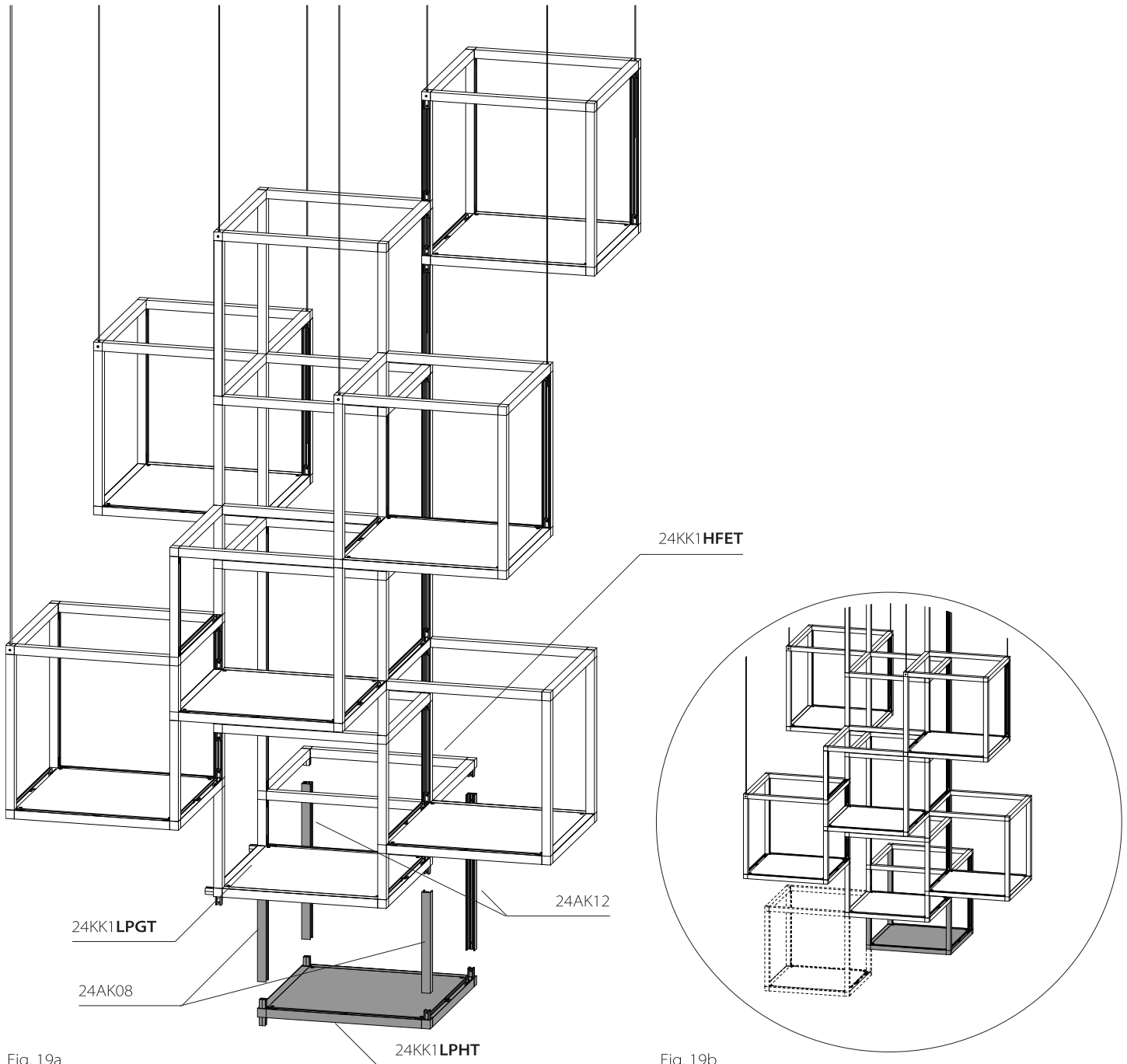


Fig. 19a

Fig. 19b

## Component Installation *Instructions d'installation*

### 18. Eighteenth section

18a. Install 24KK1HFET to 24KK1LPHT in the orientation shown in Fig. 20a.

18b. Section as part of whole assembly shown in Fig. 20b.

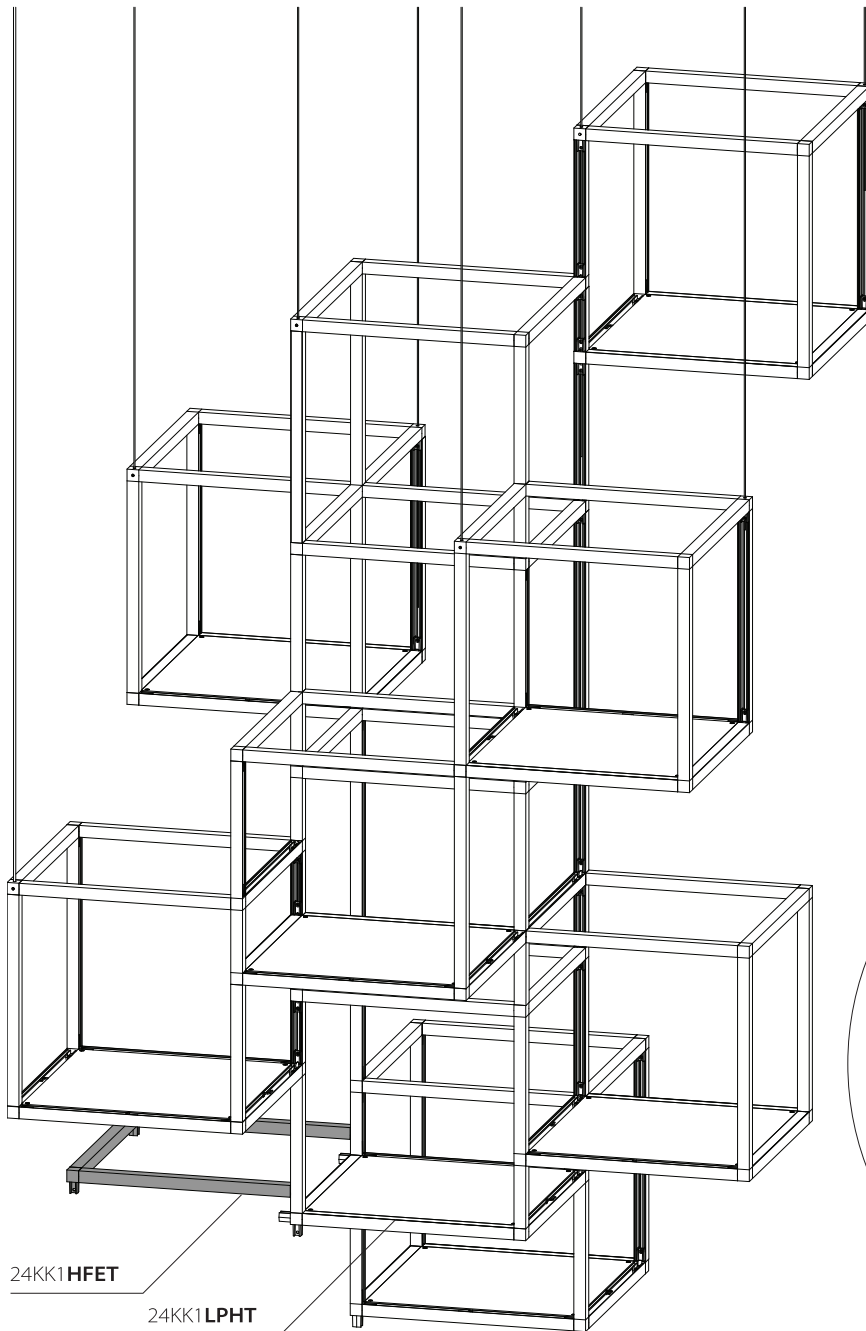


Fig. 20a

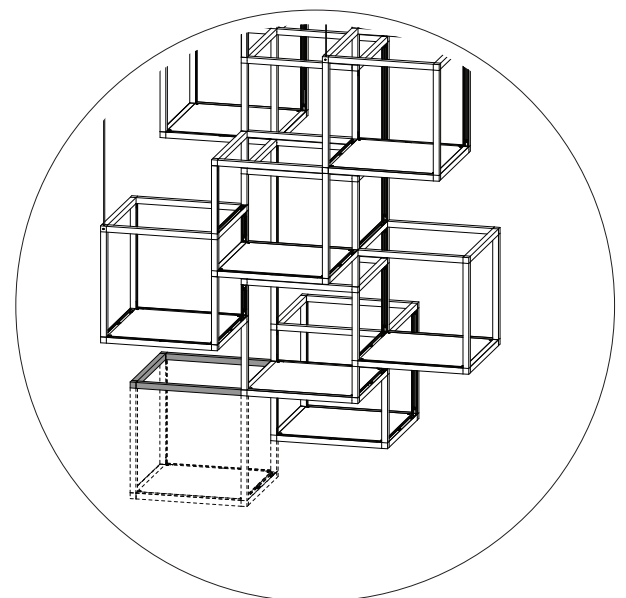


Fig.20b



## Component Installation Instructions d'installation

### 19. Nineteenth section

19a. Install (3x) 24AK12, and (1x) 24AK04 to 24KK1LPJT in the orientation shown in Fig. 21a.

**NOTE: Pay close attention to arm orientation, as it will affect wiring in later stages.**

19b. Install 24K1LPJT assembly to the main assembly in the orientation shown in Fig. 21a and proceed with Canopy Installation Instructions Step 4.

19c. Using Appendix B for reference, install all connecting wires through arms to panels (additional wire not included).

19d. Using a team of 2 or more people, adjust height of fixture so that it is balanced.

19e. Install all Arm Caps as shown in Fig. 21b and restore power to Outlet Box. **Note: When installing Arm Caps make sure wires are not being pinched.**

19f. The fixture is now completely assembled. Continue to Appendix A to complete the electrical wiring of the product.

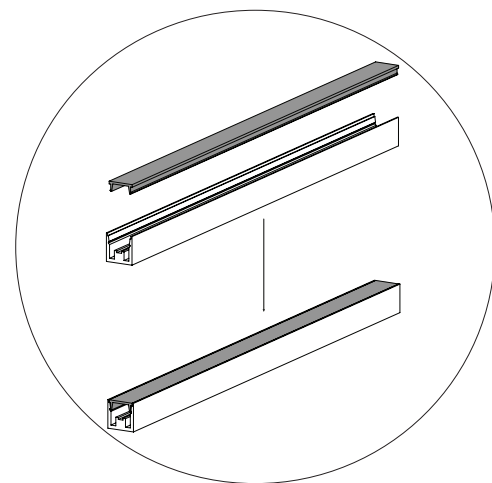
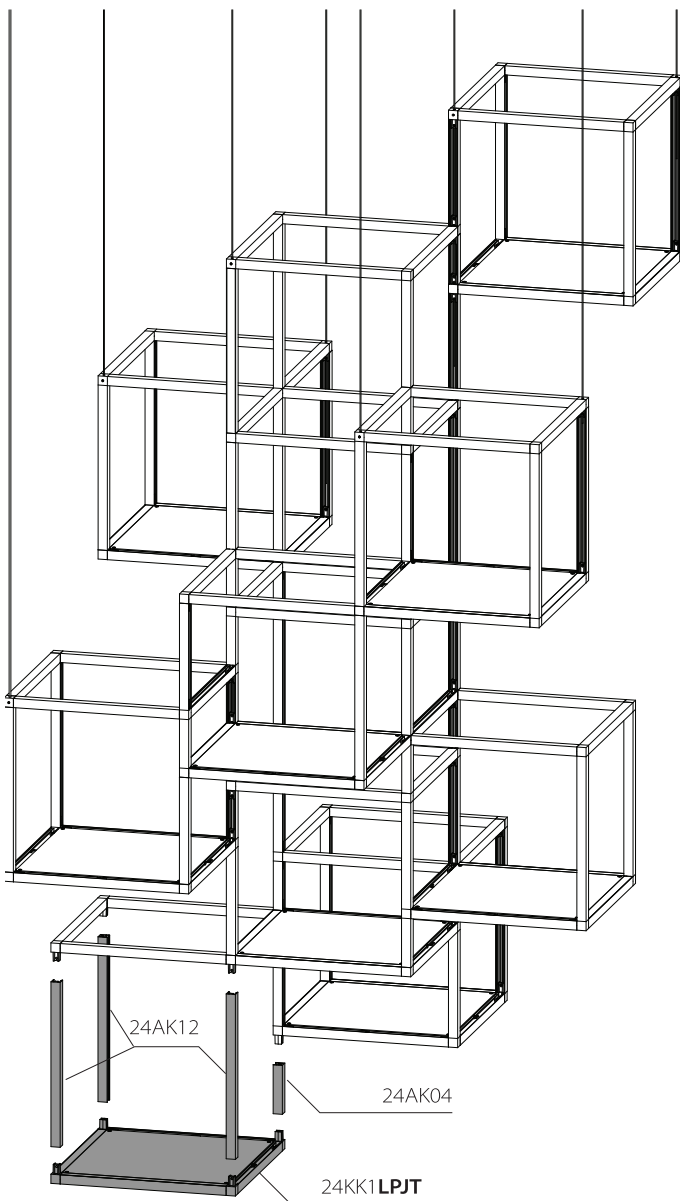
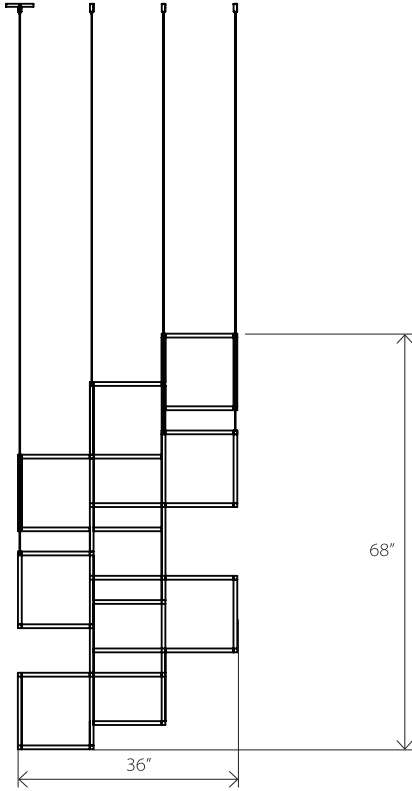


Fig.21a

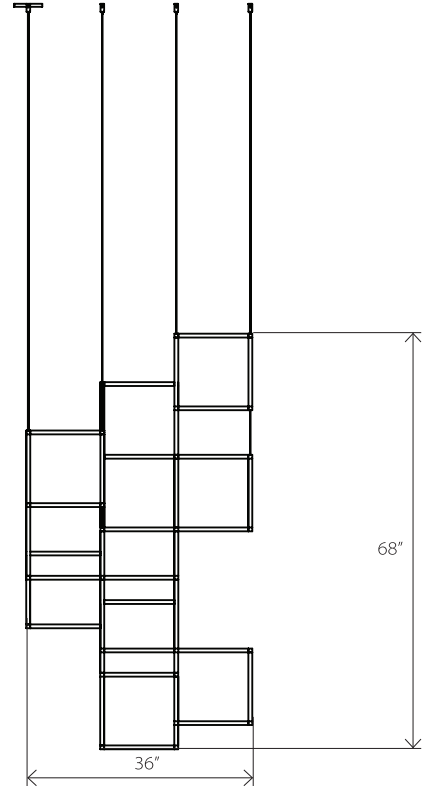
Fig. 21b

## Completed assembly

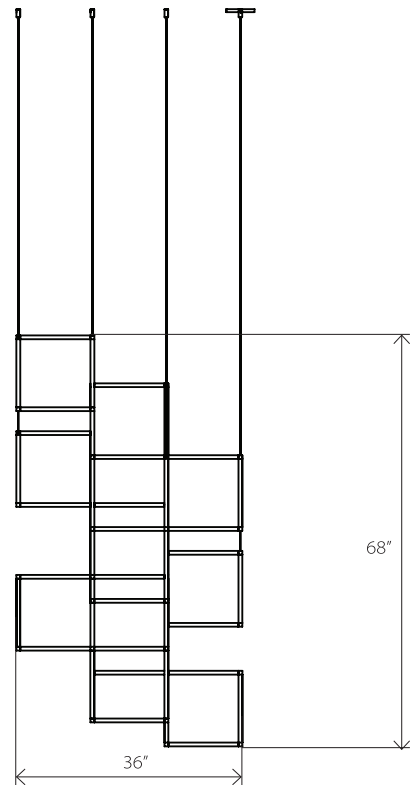
Finished Front View



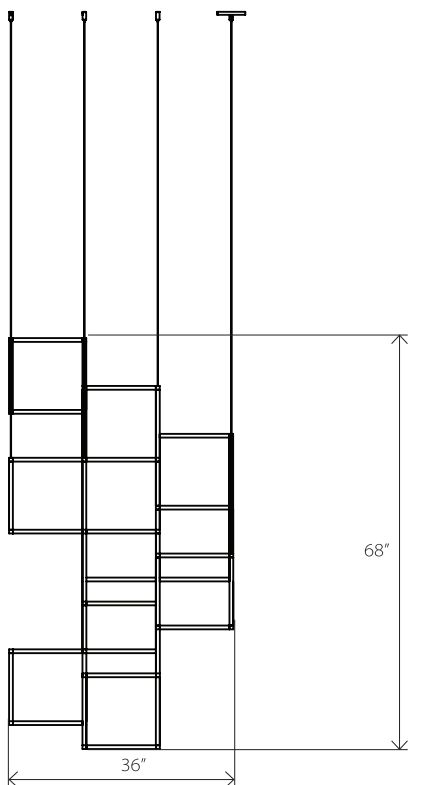
Finished Right Side View



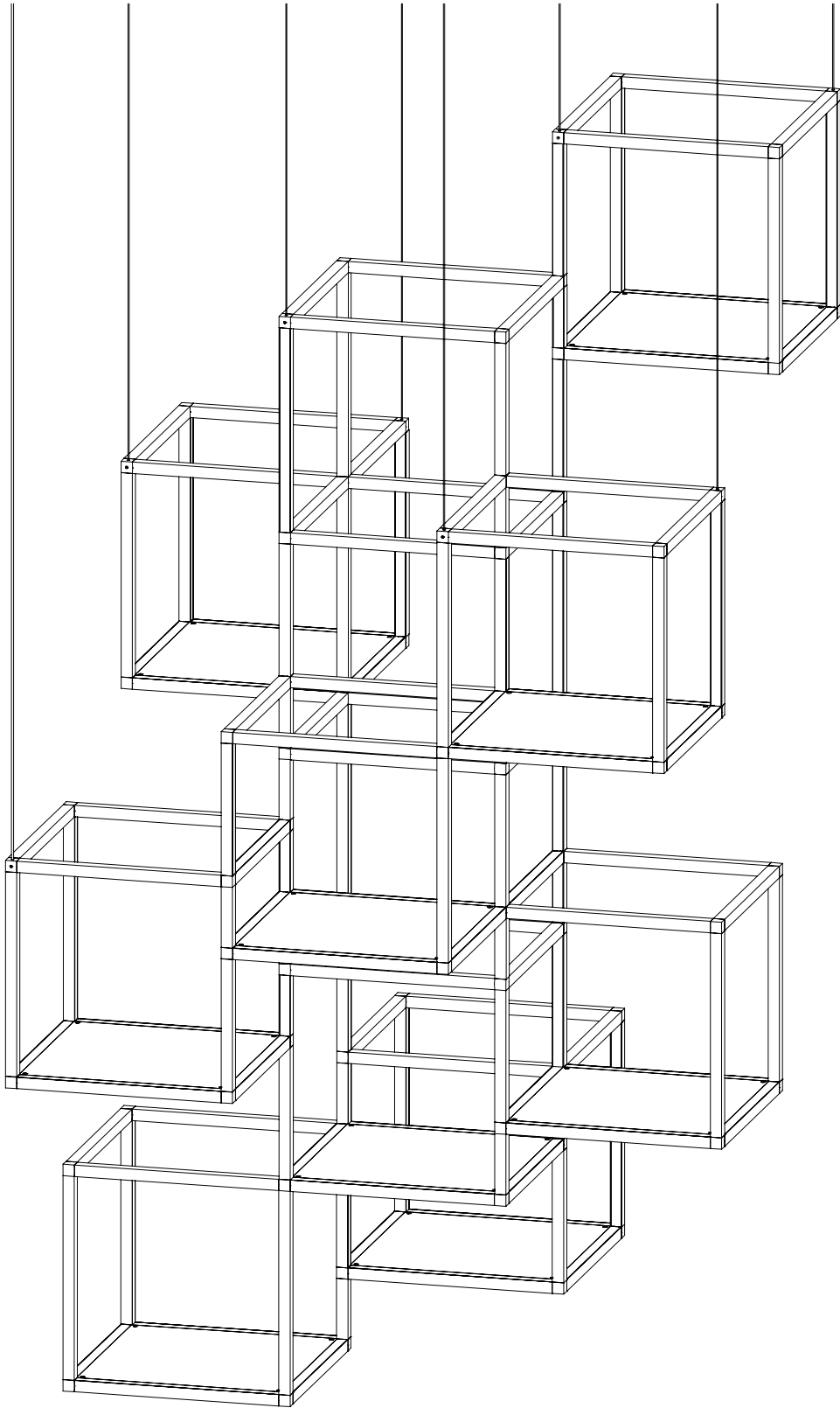
Finished Back View



Finished Left Side View



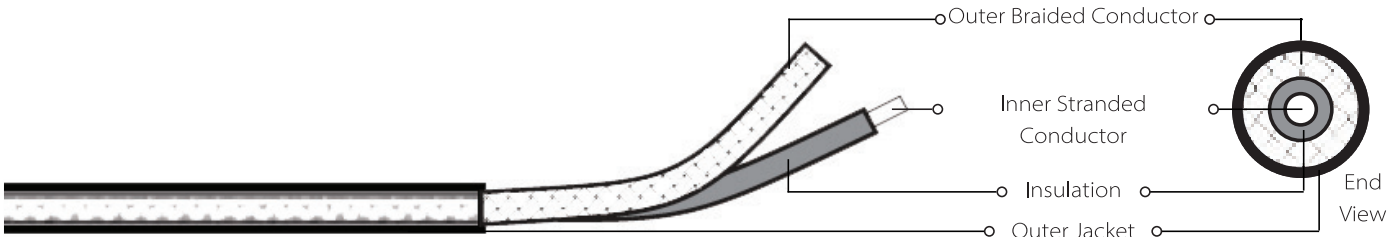
**Completed assembly**



### Coax Splicing

**FAILURE TO FOLLOW THESE INSTRUCTIONS WILL VOID THE WARRANTY**

#### Coaxial Power Cord:



If field-cutting is required, please follow the below instructions:

1. Make a 1" slice along the length of the cord's outer jacket (Fig. 1).  
**CAUTION: Do not cut through the outer braided conductor.**
2. Carefully strip the outer jacket of the cord and keep the outer braided conductors intact (Fig. 1).
3. Slide the outer braided conductor back to create a bulge and reveal the inner stranded conductor (Fig. 2).
4. Bend the cord to create an opening through the bunched-up portion of outer braided conductor, then pull out the inner stranded conductor (Fig. 3)
5. Twist together the outer braided conductor to form the negative wire of the fixture, then strip 5/8" off the end of the inner stranded conductor to form the positive wire of the fixture (Fig. 4).
6. Re-splice all power cords.

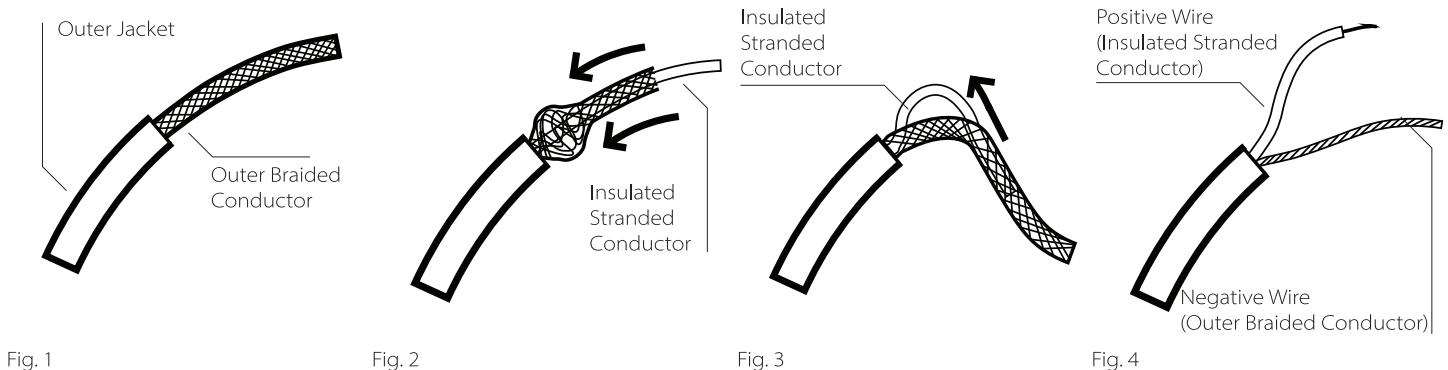


Fig. 1                                      Fig. 2                                      Fig. 3                                      Fig. 4

### Wiring reference

The red lines indicate the wiring path for both the red and black wires from 24SKP06 to Panel and the paths for Light Panel to Light Panel. (See Fig. A for example of how to place wire nuts.)

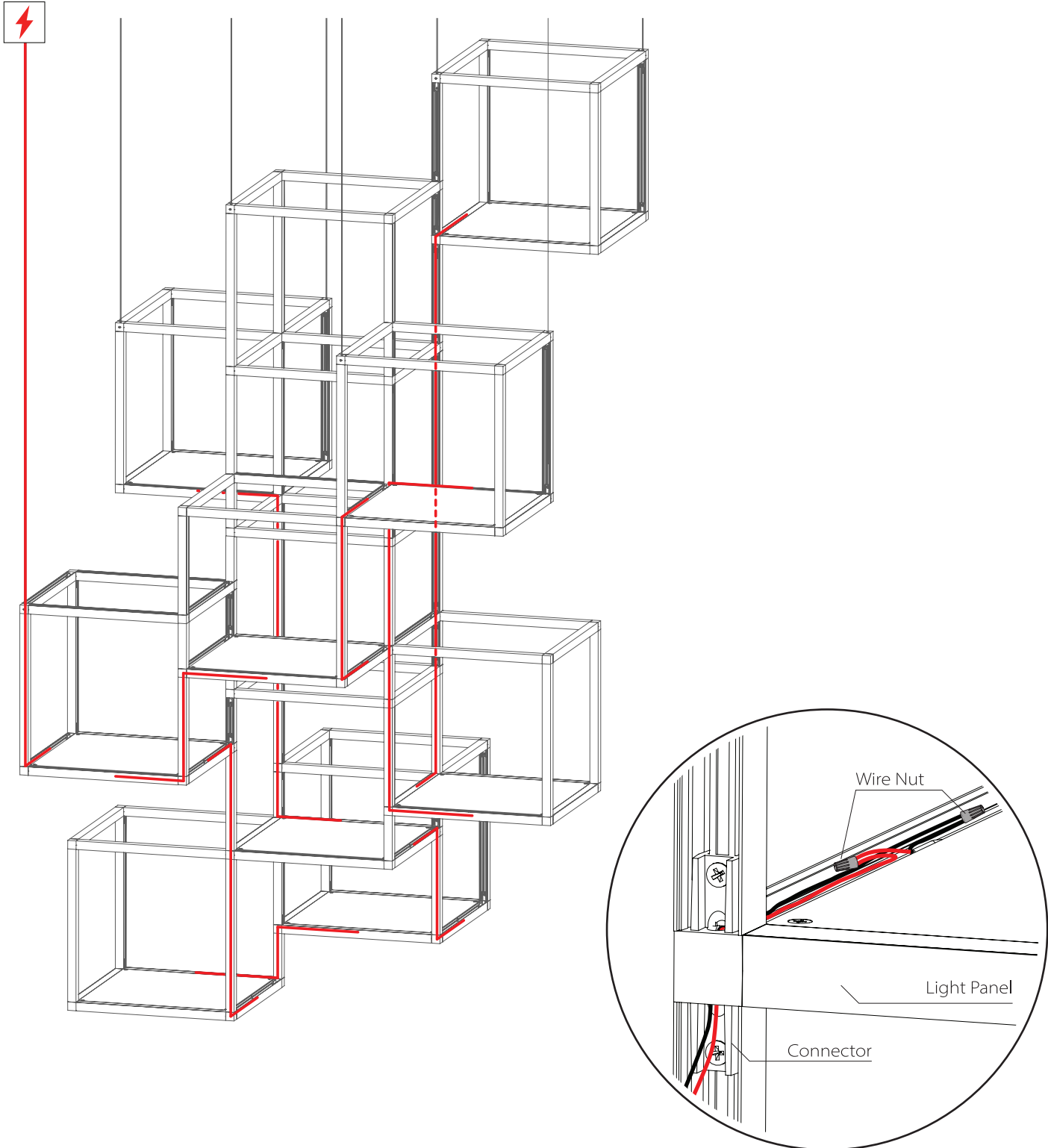


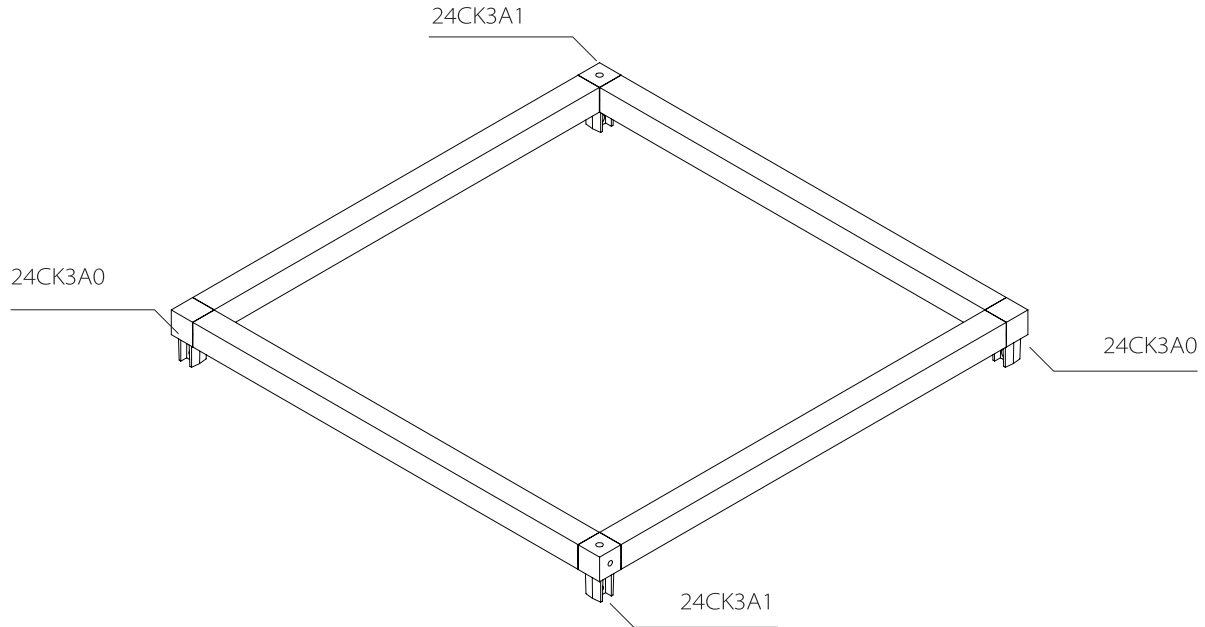
Fig. A

# Assembly Instructions

## Appendix C

**24CK3A1:** 3-arm Type A Hanging Connector

**24CK3A0:** 3-arm Type A Connector

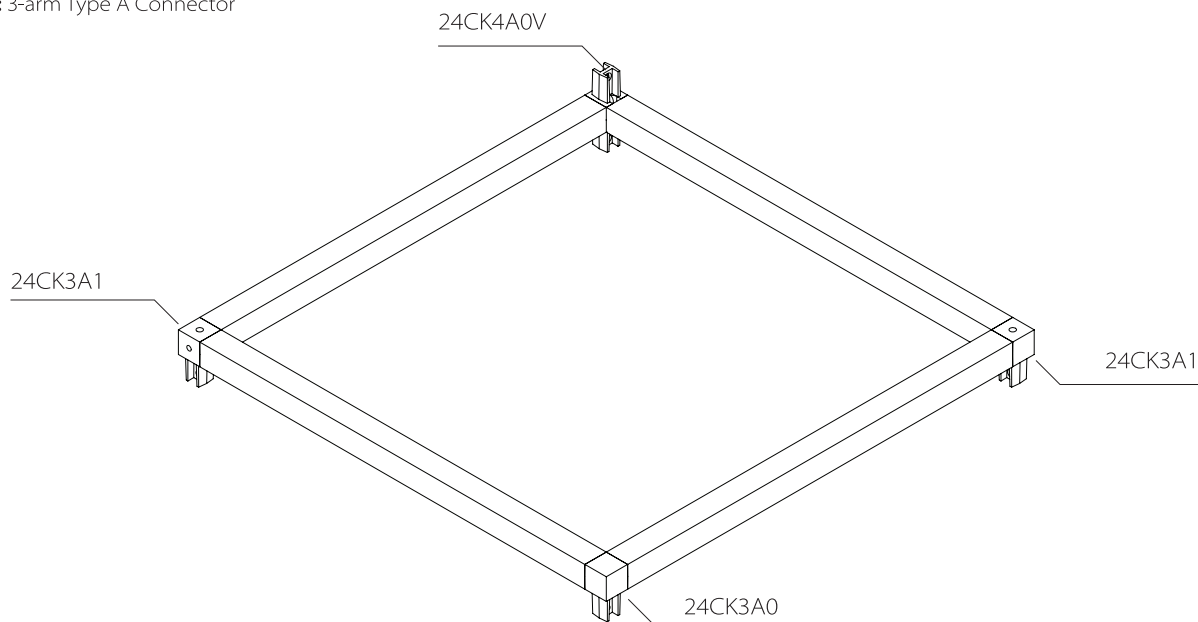


### 24KK1HFAA

**24CK4A0V:** 4-arm Vertical Type A Connector

**24CK3A1:** 3-arm Type A Hanging Connector

**24CK3A0:** 3-arm Type A Connector

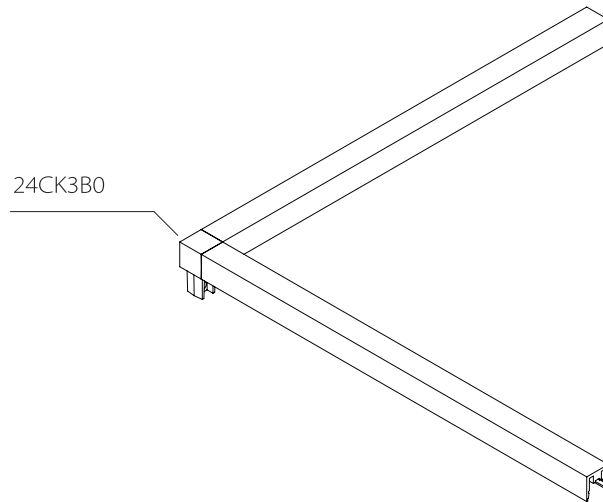


### 24KK1HFBA

# Assembly Instructions

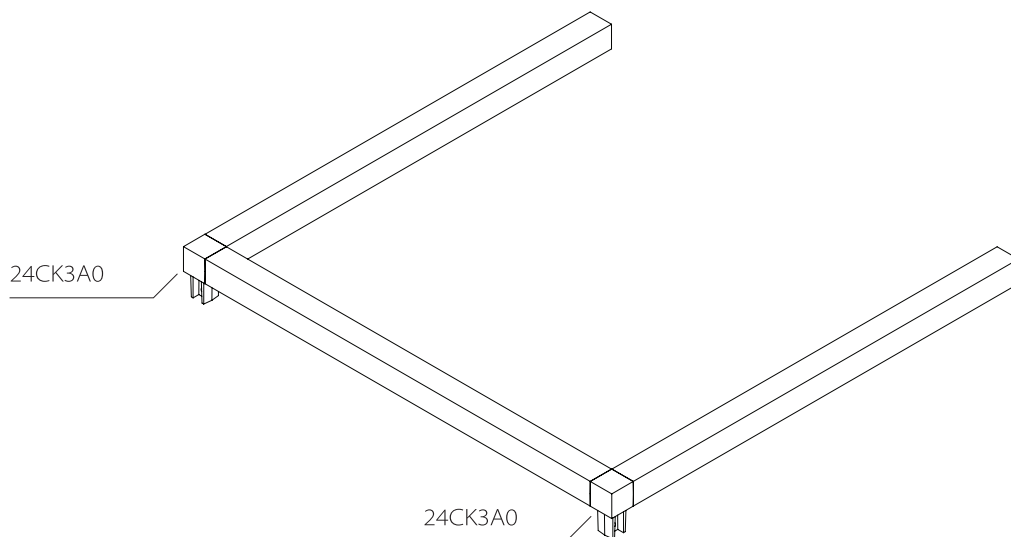
## Appendix C

### 24CK3B0: 3-arm Type B Connector



### 24KK1HFDT

### 24CK3A0: 3-arm Type A Connector

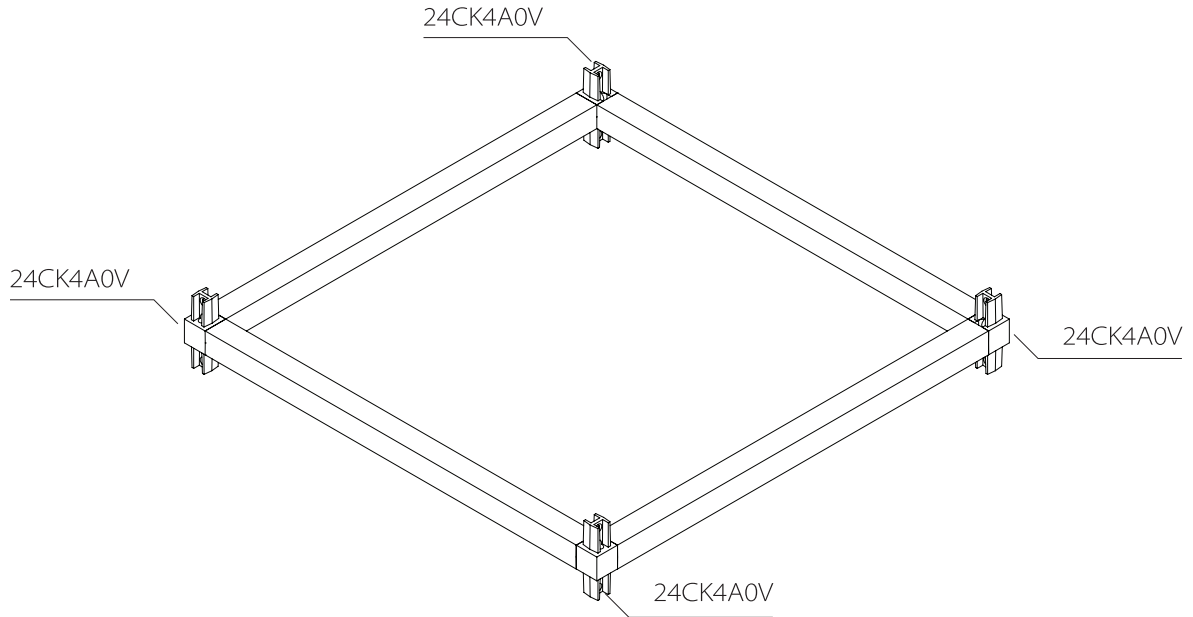


### 24KK1HFET

# Assembly Instructions

## Appendix C

**24CK4A0V:** 4-arm Vertical Type A Connector

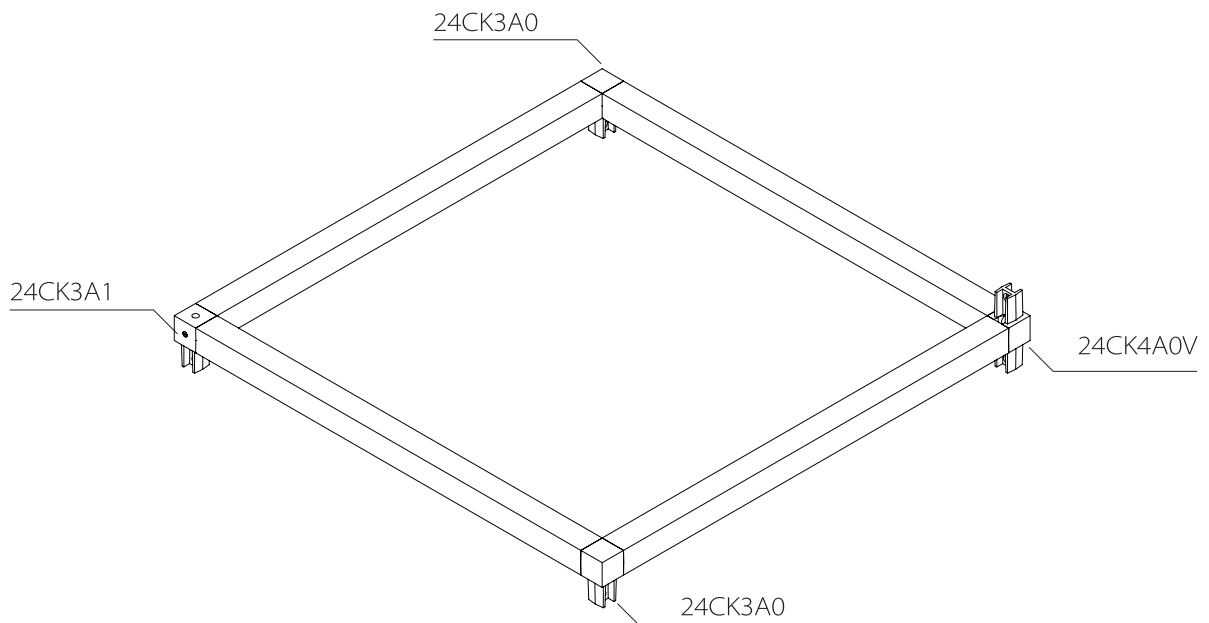


24KK1 **HFGT**

**24CK3A1:** 3-arm Type A Hanging Connector

**24CK3A0:** 3-arm Type A Connector

**24CK4A0V:** 4-arm Vertical Type A Connector



24KK1 **HFRT**

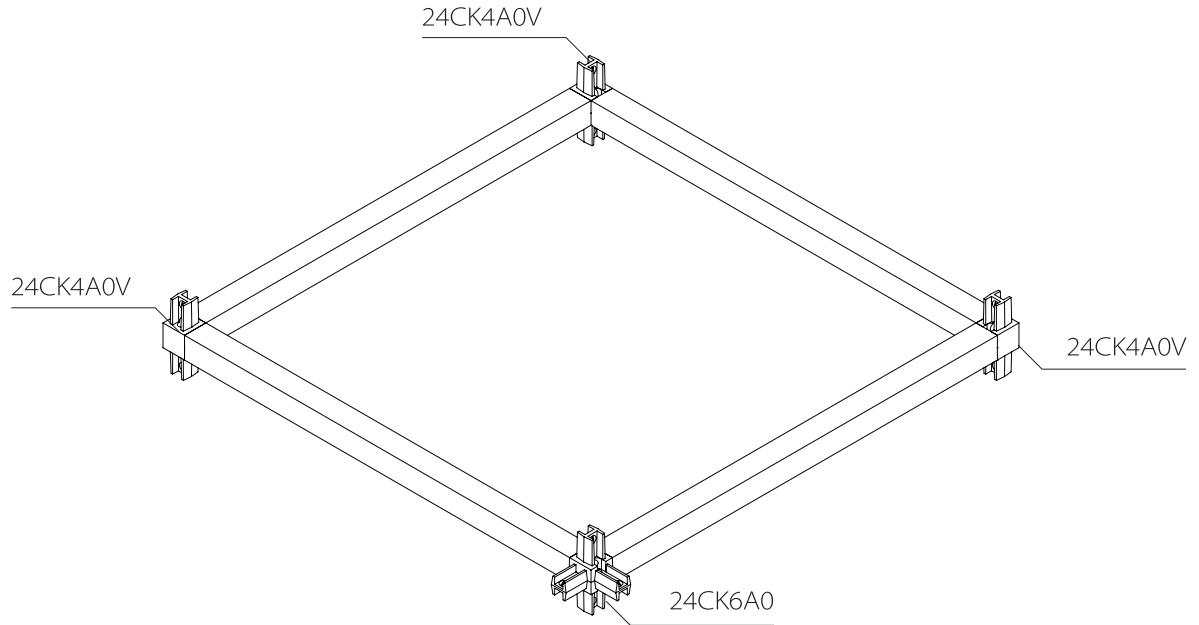


# Assembly Instructions

## Appendix C

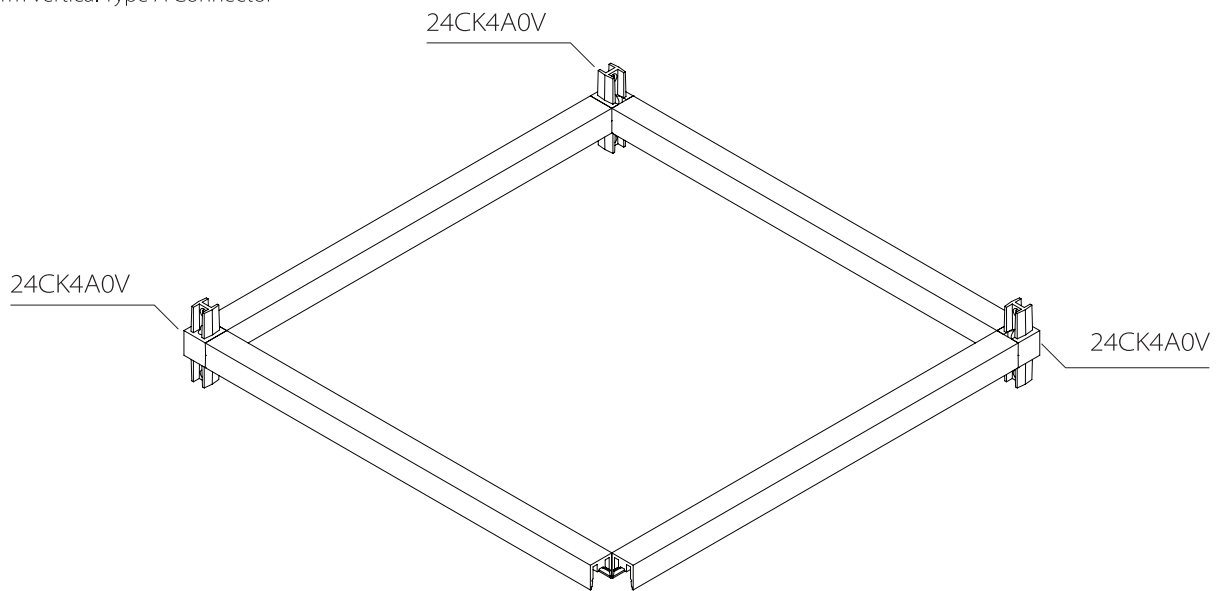
**24CK4A0V:** 4-arm Vertical Type A Connector

**24CK6A0:** 6-arm Connector



24KK1 **HFST**

**24CK4A0V:** 4-arm Vertical Type A Connector



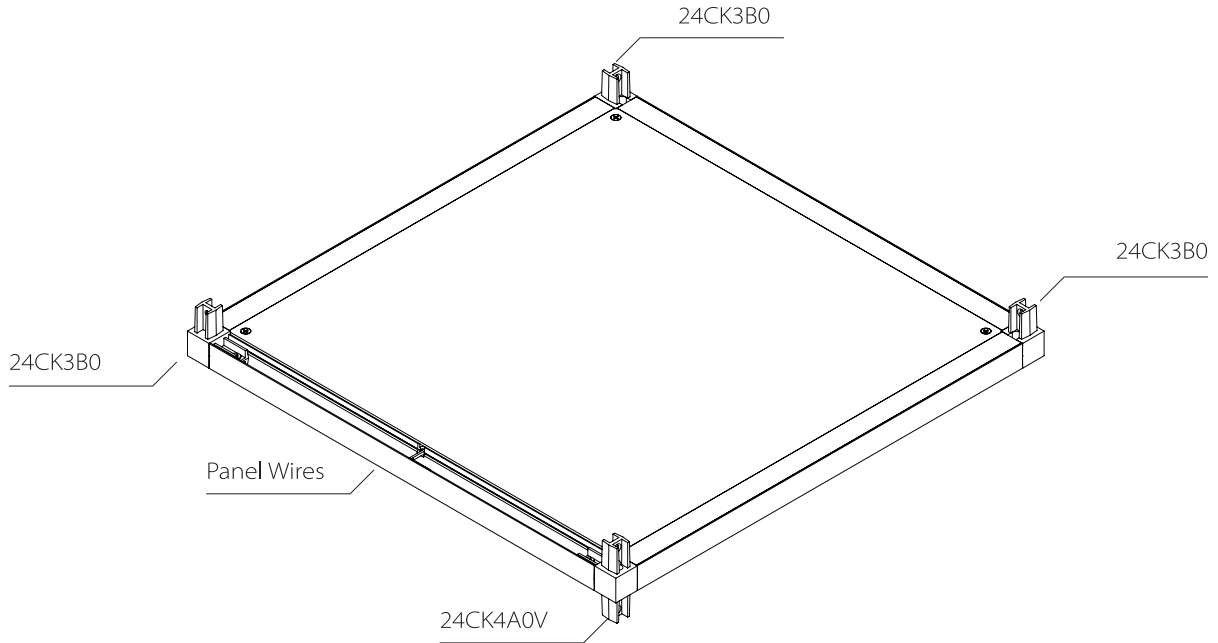
24KK1 **HFTT**

# Assembly Instructions

## Appendix C

**24CK3B0:** 3-arm Type B Connector

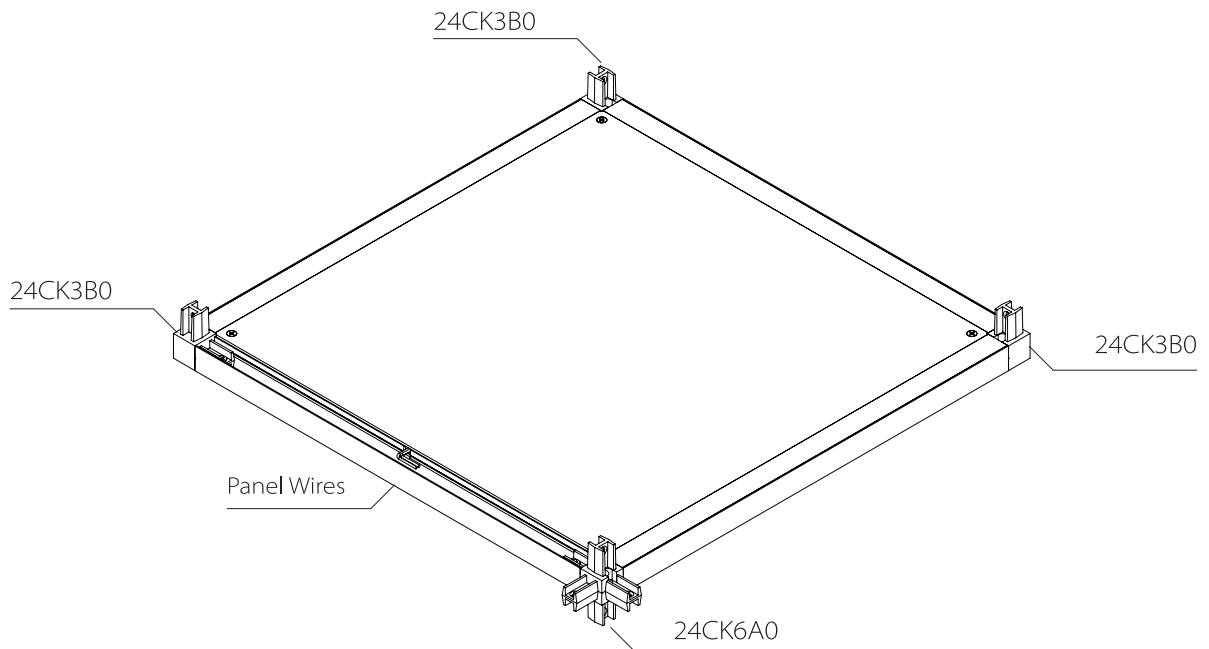
**24CK4A0V:** 4-arm Vertical Type A Connector



**24KK1LPAA**

**24CK3B0:** 3-arm Type B Connector

**24CK6A0:** 6-arm Connector



**24KK1LPBT**

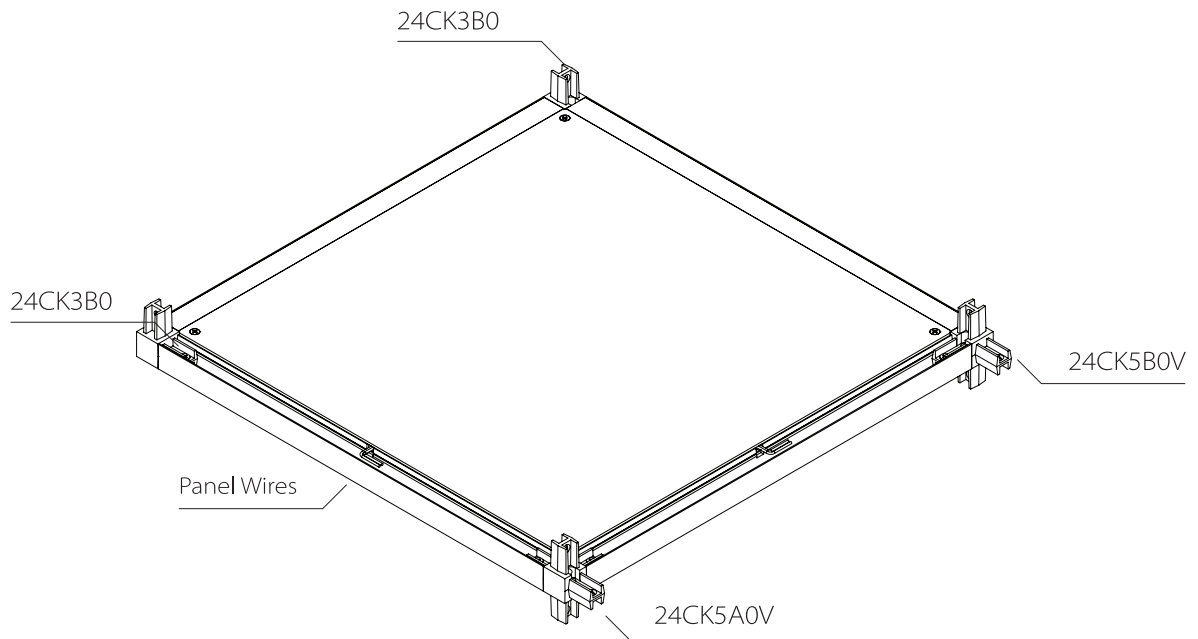
# Assembly Instructions

## Appendix C

**24CK3B0:** 3-arm Type B Connector

**24CK5A0V:** 5-arm Vertical Type A Connector

**24CK5B0V:** 5-arm Vertical Type B Connector

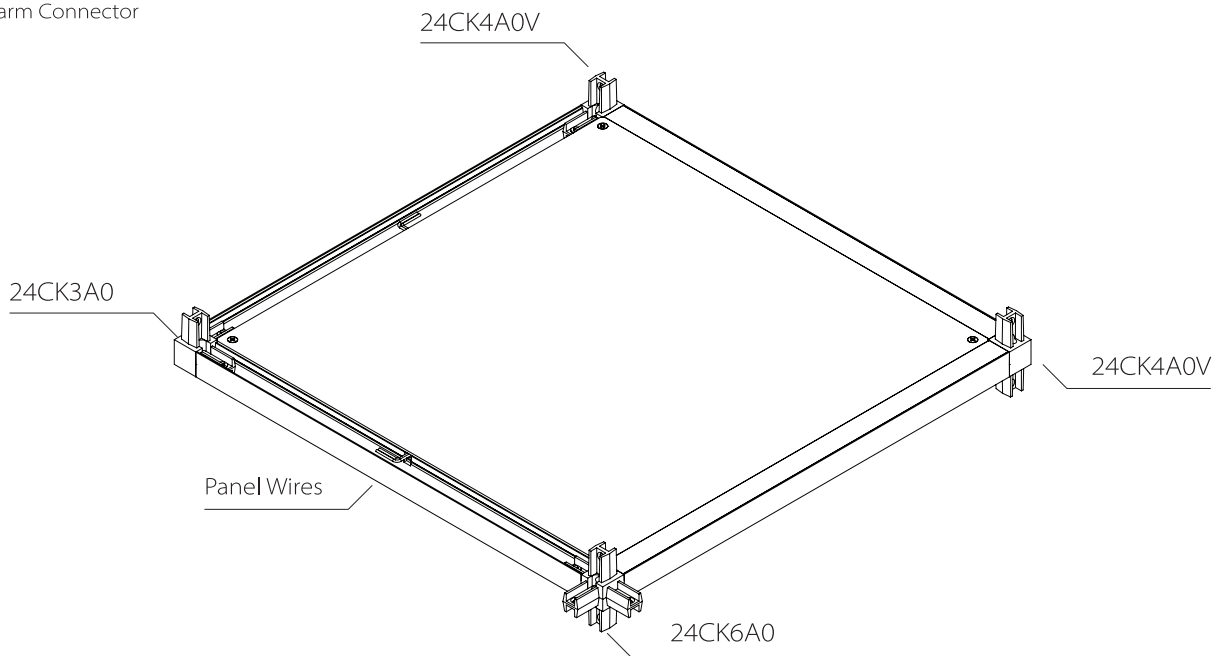


24KK1LPCT

**24CK3A0:** 3-arm Type A Connector

**24CK4A0V:** 4-arm Vertical Type A Connector

**24CK6A0:** 6-arm Connector



24KK1LPDT

# Assembly Instructions

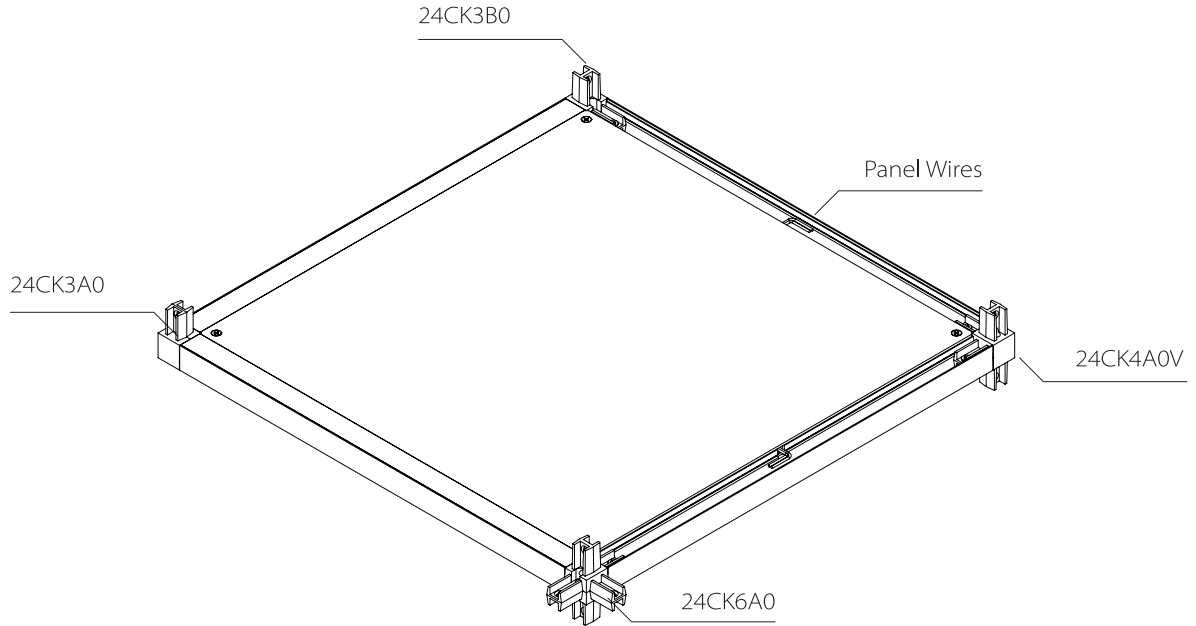
## Appendix C

**24CK3A0:** 3-arm Type A Connector

**24CK3B0:** 3-arm Type B Connector

**24CK4A0V:** 4-arm Vertical Type A Connector

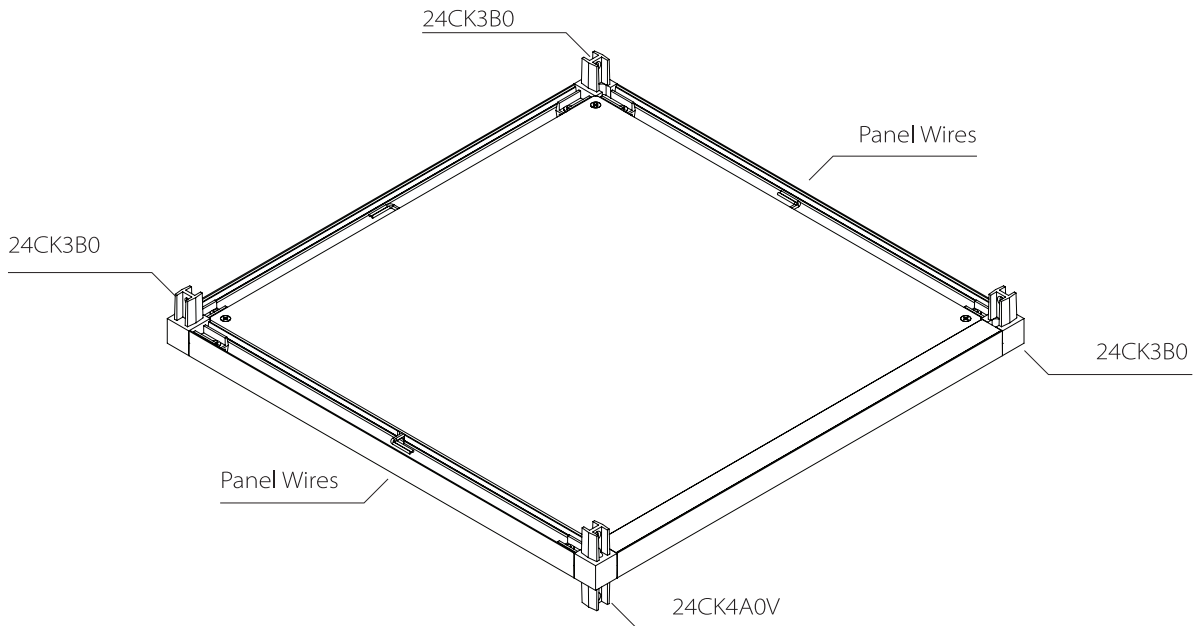
**24CK6A0:** 6-arm Connector



24KK1LPET

**24CK3B0:** 3-arm Type B Connector

**24CK4A0V:** 4-arm Vertical Type A Connector



24KK1LPFT

# Assembly Instructions

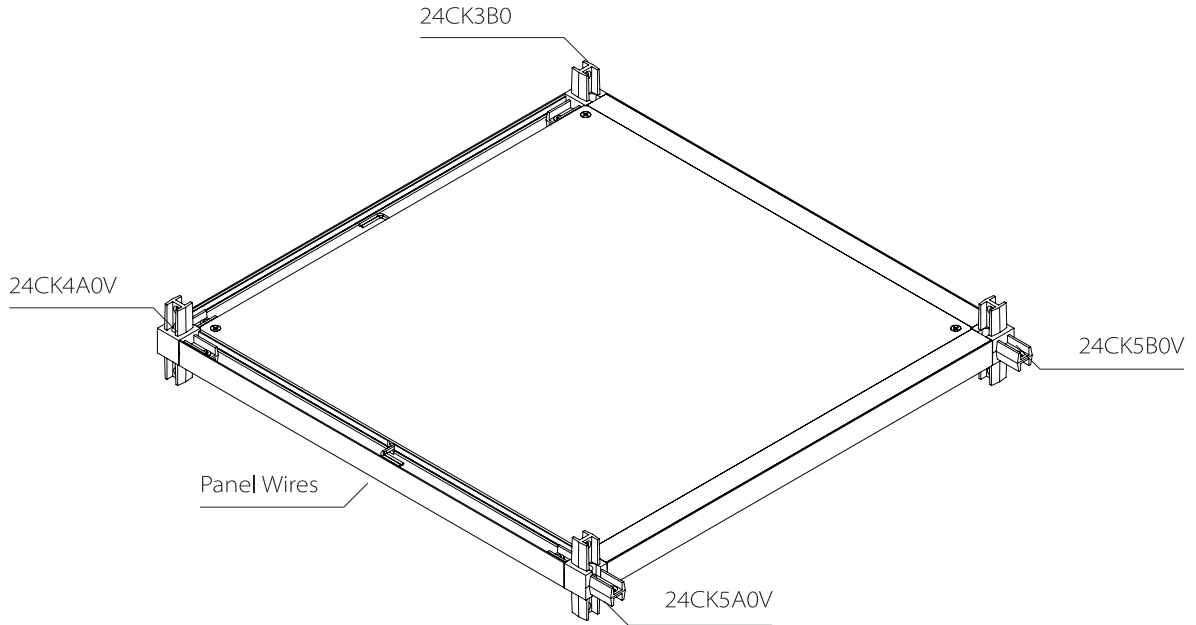
## Appendix C

**24CK3B0:** 3-arm Type B Connector

**24CK4A0V:** 4-arm Vertical Type A Connector

**24CK5A0V:** 5-arm Vertical Type A Connector

**24CK5B0V:** 5-arm Vertical Type B Connector

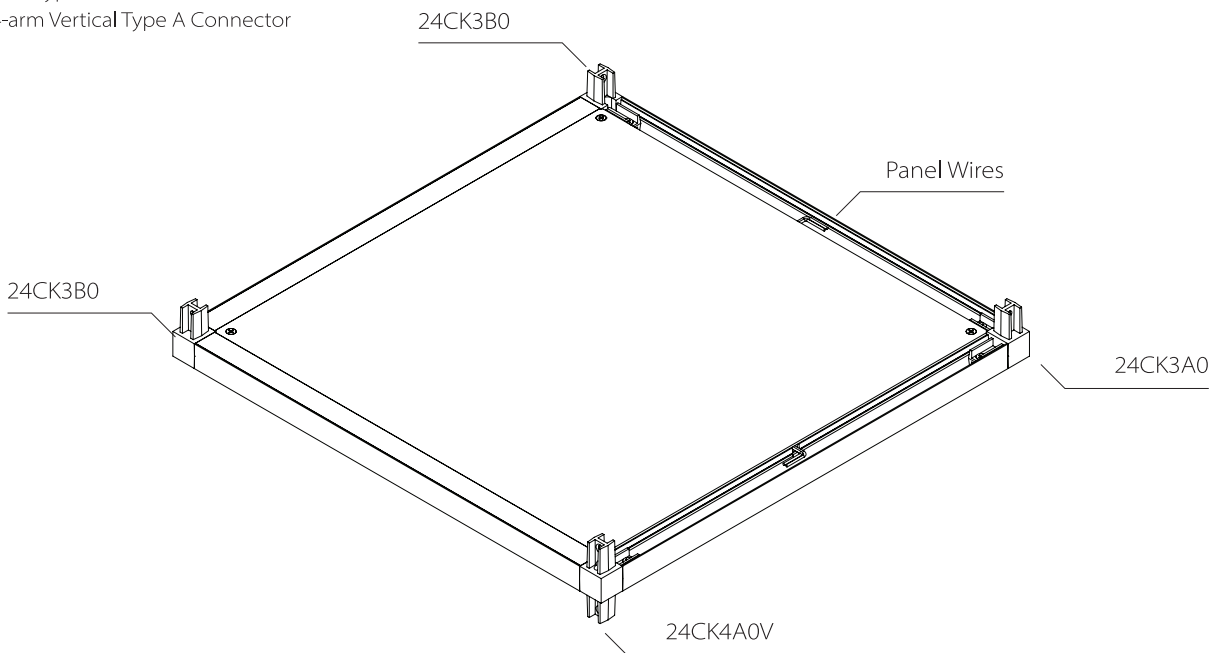


### 24KK1LPGT

**24CK3A0:** 3-arm Type A Connector

**24CK3B0:** 3-arm Type B Connector

**24CK4A0V:** 4-arm Vertical Type A Connector



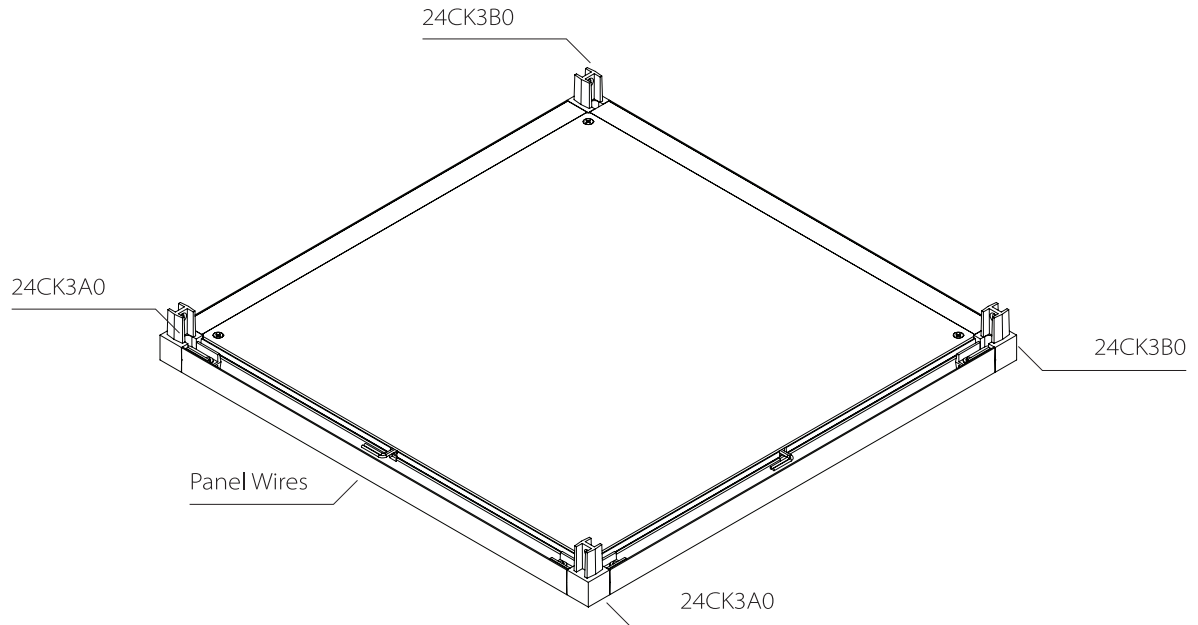
### 24KK1LPHT

# Assembly Instructions

## Appendix C

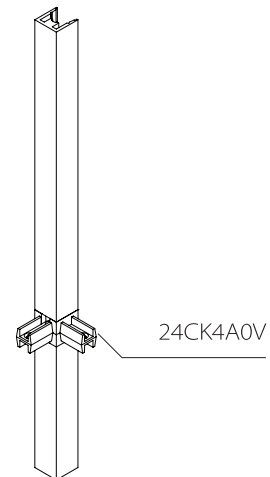
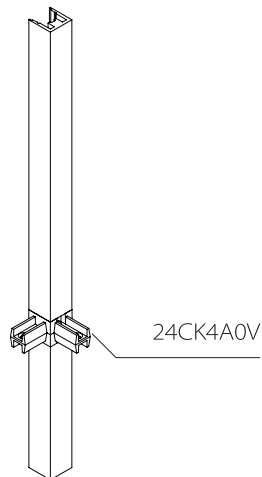
**24CK3A0:** 3-arm Type A Connector

**24CK3B0:** 3-arm Type B Connector



### 24KK1LPJT

**24CK4A0V:** 4-arm Vertical Type A Connector



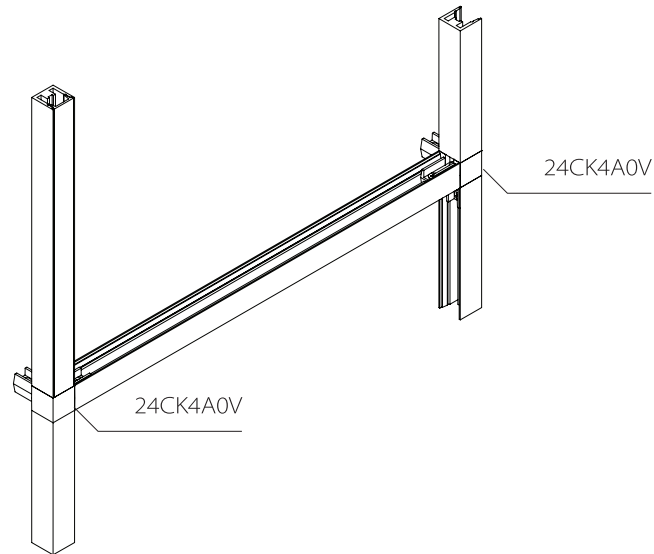
### 24KK1VFAT

### 24KK1VFBT

# Assembly Instructions

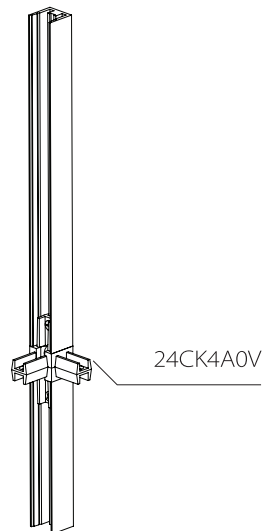
## Appendix C

**24CK4A0V:** 4-arm Vertical Type A Connector

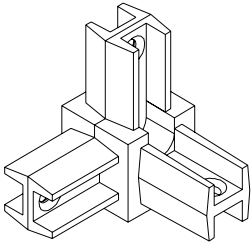


## 24KK1VFCT

**24CK4A0V:** 4-arm Vertical Type A Connector

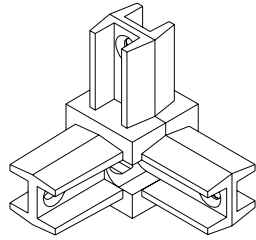


## 24KK1VFDT



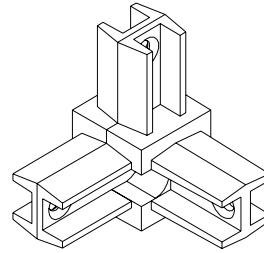
**24CK3A0**

3-arm Type A Connector



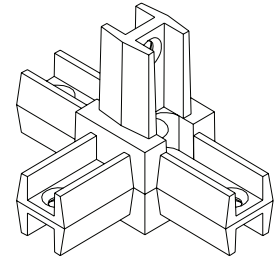
**24CK3A1**

3-arm Type A Hanging Connector



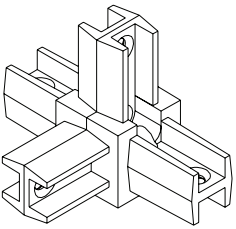
**24CK3B0**

3-arm Type B Connector



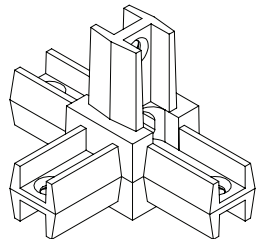
**24CK4A0H**

4-arm Horizontal Type A Connector



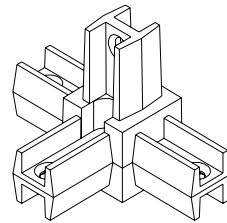
**24CK4A0V**

4-arm Vertical Type A Connector



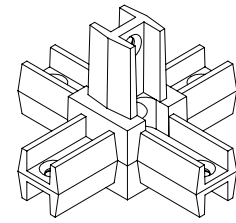
**24CK4A1H**

4-arm Horizontal Type A Hanging Connector



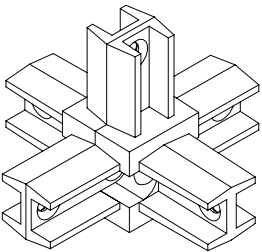
**24CK4B0H**

4-arm Horizontal Type B Connector



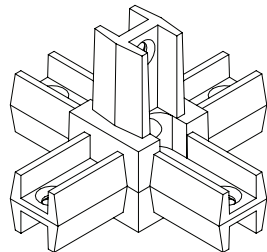
**24CK5A0H**

5-arm Horizontal Type A Connector



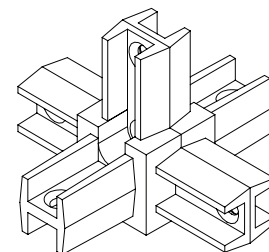
**24CK5A0V**

5-arm Vertical Type A Connector



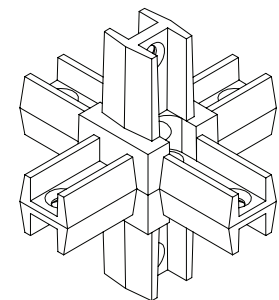
**24CK5A1H**

5-arm Horizontal Type A Hanging Connector



**24CK5B0V**

5-arm Vertical Type B Connector



**24CK6A0**

6-arm Connector