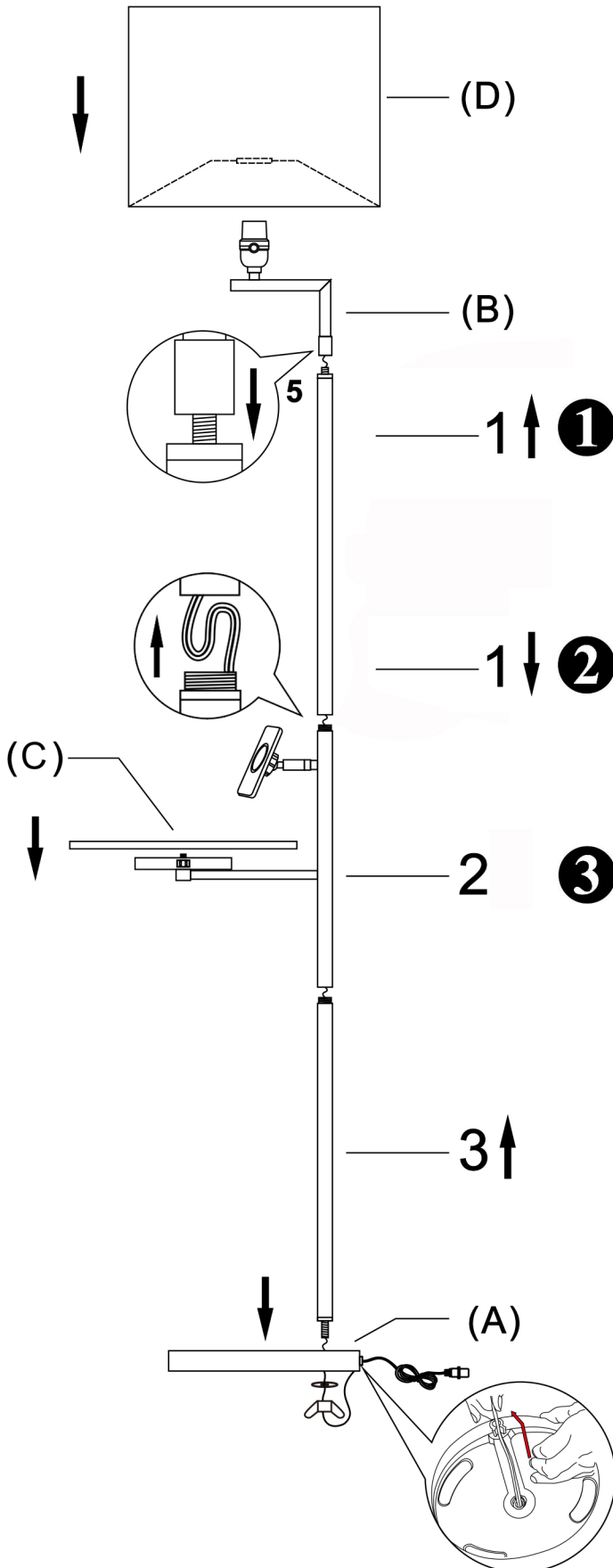


ASSEMBLY INSTRUCTIONS FOR

JOEL WIRELESS CHARGING TASK FLOOR LAMP WITH TABLE

Model # 2622-21

2622-21



1. Screw stem 1 to the Upper set (B). (Donot fully tighten the screw at this stage)
2. Screw the stems 1-2 together (Bend the wire into an S-shape and insert it into the metal tube).
3. Screw the stems 2-3 together
4. Insert the threaded tube on stem 3 into the base Adjust tube 2 to the appropriate direction hanging over base as pictured, then tighten the Wingnut.
5. Adjust Upper set (B) to the appropriate direction, Turn the adjustment knob downward to fix it inplace.
6. Screw the Wood plate (C) on to the arm base.
7. SHADE(D): Socket ring comes pre-assembled to the socket (B). Before assembling the shade, please unscrew this socket ring. Place the shade onto the socket (B), and tighten socket ring onto the socket to secure the shade.

GENERAL PRODUCT INFORMATION:

This product is suitable for dry locations only.



IMPORTANT SAFETY INSTRUCTIONS:

This portable lamp has a polarized plug (one blade is wider than the other) as a feature to reduce the risk of electric shock. This plug will fit in a polarized outlet only one way. If the plug does not fit fully in the outlet, reverse the plug.

If it still does not fit, contact a qualified electrician. Never use with an extension cord unless plug can be fully inserted.

DO NOT ALTER THE PLUG.

BULBTYPE:(1) 100Watt3-Way Medium Base

ADESSO®

Dear Valued Customer:

Thank you for choosing an Adesso product. You've made an excellent choice and can be assured of the superior design and quality of your purchase.

Please keep your receipt and assembly instructions. If you should experience any difficulty assembling this item or are in need of a part, please call our Customer Service department at 212-736-4440 Monday through Friday between the hours of 9a.m.- 5 p.m. EST. or e-mail customerservice@adessohome.com.

However, if you experience a problem with your purchase, please contact your retailer directly. Please Do Not return the product to us, as any unauthorized returns will be refused.

If you contact us, please have the following information available

Model# _____

Place & Date of Purchase _____

Problem/Parts needed _____

Thank you again for purchasing an Adesso Product. We hope you'll enjoy using it as much as we enjoyed designing it.

Look for exciting new Adesso products coming every season to stores near you!

Sincerely,

Adesso Inc.

Customer Service Dept.



Visit us online: www.adessohome.com