

# INSTALLATION INSTRUCTIONS

Item#2698-115 (New. 2022/02/25)

## READ AND SAVE THESE INSTRUCTIONS

**WARNING! SHUT POWER OFF AT FUSE OR CIRCUIT BREAKER.**

**AVERTISSEMENT! COUPER LE COURANT AU NIVEAU DES FUSIBLES OU DU DISJONCTEUR.**

### PREPARATION (Fig. 1)

1. Shut off power at the fuse box or circuit breaker box and remove the old fixture including the mounting hardware.
2. Carefully unpack your new fixture and lay out all the parts in a clean area. Take care not to misplace any small parts necessary for installation.

### ASSEMBLING THE FIXTURE (Fig. 1)

3. Pass arm (P) through all thread (S), then lock arm (P) and fixture body (U) together with screws (N). Finally push plug (V) into holes on arm (P).
4. Secure rod (M) onto all thread (S) on fixture body (U).
5. Loosen hex nuts (D) on canopy (H) with wrench (J) (not included), remove metal washers (E), lock washers (L), metal plate (I), canopy (H) and swivels (G).
6. Determine the desired hanging height and thread rods (F1, F2 and F3) to all thread of rod (M). Carefully pass wires through each rod during assembly. Secure swivels (G) onto rods (F1).
7. Align canopy (H) and metal plate (I) followed by lock washers (L) and metal washers (E) onto swivels (G) and secure with hex nuts (D) via wrench (J) (not included).
8. Position mounting plate (A) on ceiling and mark the location of the two drywall anchors (K). Pre-drill holes for drywall anchors (K). Then insert drywall anchors (K) into ceiling.
9. Attach mounting plate (A) to junction box (not included) using mounting screws (B) (Size: #8-32N\*L0.5") and wood screws (O) into drywall anchors (K). The side of the mounting plate marked "GND" must face out.

### CONNECTING THE WIRES (Fig. 2)

10. Connect the electrical wires as shown in Fig. 2, making sure that all wire connectors are secured. If your junction box has a ground wire (green or bare copper), connect the fixture's ground wire to it. Otherwise, connect the fixture's ground wire directly to the mounting plate (A) using the green screw provided.
11. Tuck wire connectors neatly into junction box.

### COMPLETING THE INSTALLATION (Fig. 1)

12. Align canopy (H) onto mounting plate (A) and secure with screws (C).
13. Place candle covers (R) over sockets (T) on the fixture body.
14. Install (8) eight candelabra base bulbs (Q) up to 60 watts each or CFL or LED equivalent (not included) in accordance with the fixture specification. **—DO NOT EXCEED THE MAXIMUM WATTAGE RATING! (NE PAS DEPASSER LA PUISSANCE NOMINALE MAXIMALE!)**

Your installation is now complete. Return power to the junction box and test the fixture.

**Note: Illustration (Fig. 1) on this manual is for installation purposes only. It may or may not be identical to the fixture purchased.**

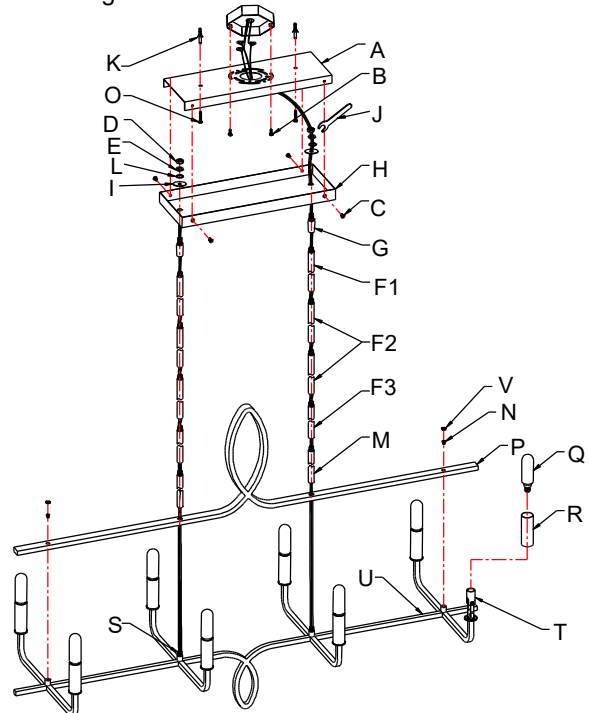
**Fig. 1**

Set# A-021-340118

-Mounting plate

-Ground screw

-Mounting screw\*2



Rod# W30-1-767\*2(F1)

W30-1-767\*4(F2)

W30-H-767\*2(F3)

Candle cover#CCV24060P-767

**Fig. 2**

