

PALECEK®

601 PARR BOULEVARD | RICHMOND | CA 94801

LAMP ASSEMBLY INSTRUCTIONS

Hendrick Table Lamp 274979

Important Safety Instructions:

- These instructions are provided for your safety. It is very important that they are read carefully and completely before beginning the assembly and installation of this lighting fixture.
- This portable luminaire has a polarized plug (one blade is wider than the other) as a safety feature to reduce the risk of electric shock. This plug will fit in a polarized outlet only one way. If the plug does not fit fully in the outlet, reverse the plug. If it still does not fit, contact a qualified electrician. Never use with an extension cord unless plug can be fully inserted. Do not alter the plug. Do not attempt to defeat this safety feature.
- This lamp is meant for indoor use, DRY LOCATIONS ONLY.
- This fixture has been rated for up to one (1) **40 watt max E26 medium base bulb** (not included). To avoid the risk of fire, do not exceed the recommended lamp wattage.
- **Save these instructions.**

WARNING:

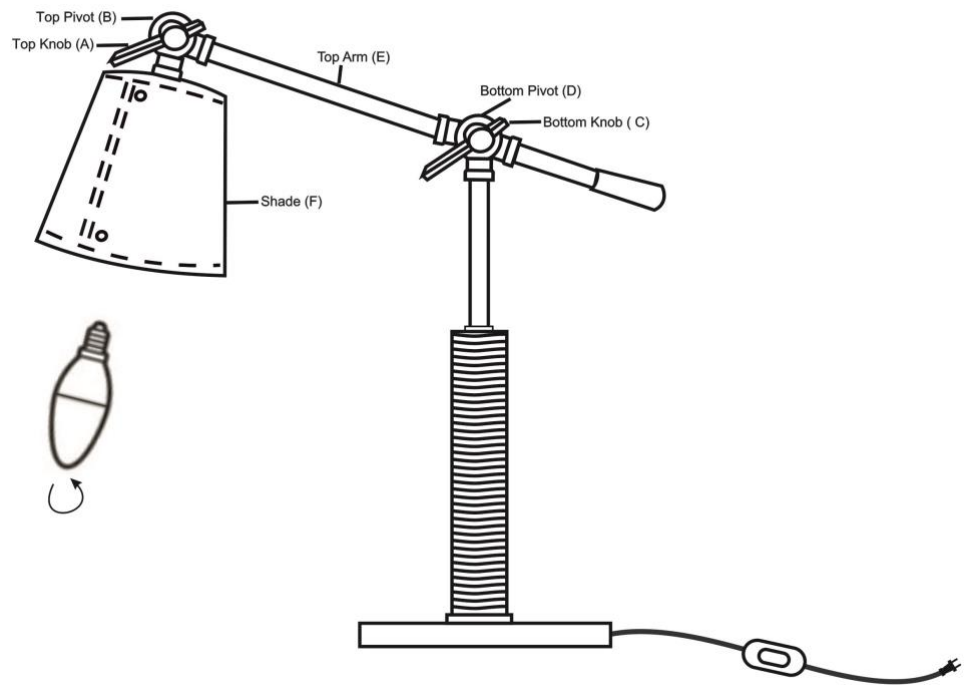
- **To reduce the risk of fire, electrical shock or personal injury, always turn off and unplug the light fixture and allow it to cool prior to replacing the light bulb.**
- **Do not touch bulb when fixture is turned on. Do not look directly at lit bulb.**
- **Keep flammable materials away from lit bulb.**

Pre-assembly:

- Remove all parts and hardware from box along with any plastic protective packaging.
- Do not discard any contents until after assembly is complete to avoid accidentally discarding small parts or hardware.

Parts List:

- A) Top Knob
- B) Top Pivot
- C) Bottom Knob
- D) Bottom Pivot
- E) Top Arm
- F) Shade



Assembly Instructions:

- Unpack the Table Lamp and familiarize yourself with the parts
- Place the lamp on a solid, stable surface.
- Height can be adjusted with the help of knob (A) and knob (C) of the lamp
- Loosen the Bottom Knob (C) on the Bottom Pivot (D) by rotating it counter-clockwise. Adjust the Top Arm (E) to the desired angle and tighten the Bottom Knob (C) in a clockwise direction until secure.
- Loosen the Top Knob (A) on the Top Pivot (B) by rotating it counter-clockwise. Adjust the Shade (F) to the desired angle and tighten the Top Knob (A) in a clockwise direction until secure.
- Insert one (1) **40 watt max E26 medium base bulb** (not included).
- Plug into proper electrical outlet and test fixture.
- Assembly is complete.

Care Instructions:

- Do not use abrasive cleaning solution as it may cause damage to the fixture's finish.
- Wipe clean with a soft, dry cloth or static duster.