

LED Product Information and Warnings

Important

- **Always disconnect the power before installing or replacing bulbs and before cleaning or other maintenance.**
- **Consult a qualified, licensed electrician to ensure correct branch circuit conductor.**

- Please read all included assembly instructions and warnings carefully before installation. Contact Customer Service if you have any questions or concerns. Before installation, please confirm that the fixture is compatible with your supply voltage and dimming system, if present.
- LEDs are highly sensitive electronic devices, and must be treated with care. Do not open any factory sealed compartments, and avoid touching the LEDs with your hands or any object.
- Although all our fixtures are equipped with protective devices, LED fixtures are vulnerable to power surges and supply variations. Do not install LED fixtures on the same circuit as any motors, appliances, or HVAC systems.
- Do not remove or bypass any LED Driver or Transformer that is provided with the fixture, and do not replace or substitute with another power supply.
- Remote LED Driver or Transformer installation must be done by a licensed electrician and in accordance with local codes. Remote installations should be in an accessible location, as close to the fixture as possible.
- Fixtures must be wired in parallel on independent leads; do not "daisy chain" multiple fixtures together or wire them in series.
- All factory-made splices and connections must remain intact. LED circuits are carefully designed and built, and improper connections may damage the fixture.
- The ends of coaxial pendant cords have been precisely stripped and split at the factory and must not be field cut. Excess cord or cable should be neatly coiled and reserved in the fixture canopy.
- Any mounting hardware is provided for your convenience and should be used with discretion. Always use the appropriate hardware for the mounting surface.

January 16, 2018

Assembly Instructions

INSTRUCTIONS D'INSTALLATION

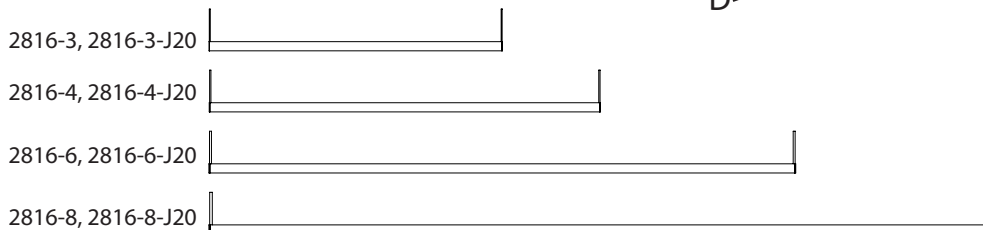
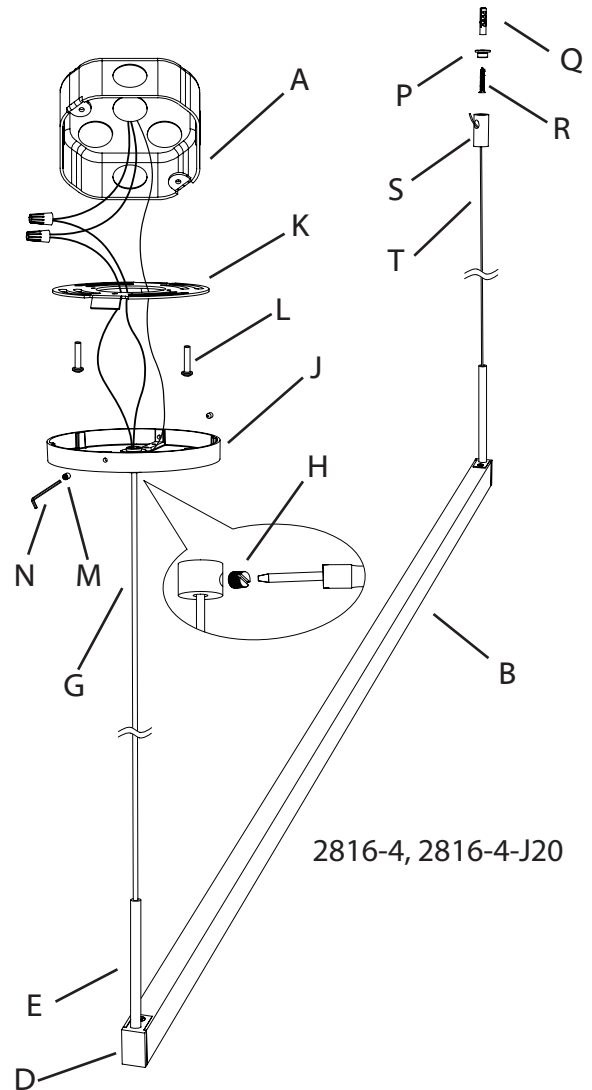
2816-3, 2816-3-J20, 2816-4, 2816-4-J20,
2816-6, 2816-6-J20, 2816-8, 2816-8-J20

Thin-Line Series - 3' One-Sided LED Pendant, 4' One-Sided LED Pendant, 6' One-Sided LED Pendant,
8' One-Sided LED Pendant

Important

- Always disconnect the power before installing and cleaning or other maintenance.
- Consult a qualified, licensed electrician to ensure correct branch circuit conductor.
Consulter un électricien qualifié pour vous assurer que les conducteurs de la dérivation sont adéquats.

1. Shut off power to the outlet box (A).
2. **OPTIONAL:** To convert the fixture (B) from downlight to uplight, remove bracket screw (C) on one end, flip the fixture and slide bracket (D) back in and secure with bracket screw. Repeat for the other end (Fig. 1).
3. Screw the stem (E) into the bracket (D). Repeat for the other end (Fig. 1).
4. The LED driver (F) must be installed in a remote and accessible location near the fixture in accordance with local electrical code (Fig. 2).
 - a. Connect the LED driver's live wire (black) to the live supply wire.
 - b. Connect the LED driver's neutral wire (white) to the neutral supply wire.
 - c. Connect the LED driver's positive (+) output wire (red) to the necessary length of red wire (not included) to reach the outlet box (A) location.
 - d. Connect the LED driver's negative (-) output wire (black) to the necessary length of black wire (not included) to reach the outlet box (A) location.
5. Determine height at which the fixture (B) is to be hung, adjust power cord (G) to desired height and secure by tightening the set screw (H). Reserve extra cord in the canopy (J).
6. Attach the mounting plate (K) to the outlet box (A), secure with outlet box screws (L).
7. Make appropriate electrical connections using wire nuts:
 - a. Connect the positive (red) low voltage wire to the red fixture wire.
 - b. Connect the negative (black) low voltage wire to the black fixture wire.
 - c. Carefully place the connections in the outlet box (A).
8. Install the canopy (J) to the mounting plate (K) and secure with canopy set screws (M) using the provided Allen key (N).
9. Install the mounting bracket (P) to the ceiling with anchor (Q) and screw (R), then screw the post (S) onto the mounting bracket. Insert the cord (T) into the post, adjust to the desired height, and secure by tightening the set screw (U). Cut off the excess cord where it exits the post. (Fig. 3)
10. Restore power to the outlet box (A).



Note:

- This fixture is dimmable with Electronic Low Voltage (Trailing-Edge) type dimmers and Incandescent (Leading-Edge) type dimmers. For best performance, we recommend using an Electronic Low Voltage Dimmer.

Care Instructions:

- **Dusting:** Use a clean, dry cloth.
- **Cleaning:** To protect the finish, avoid any harsh abrasives or chemicals.

January 16, 2018

Assembly Instructions

2818-3, 2818-3-J20, 2818-4, 2818-4-J20,
2818-6, 2818-6-J20, 2818-8, 2818-8-J20

INSTRUCTIONS D'INSTALLATION

Thin-Line Series - 3' One-Sided LED Pendant, 4' One-Sided LED Pendant, 6' One-Sided LED Pendant,
8' One-Sided LED Pendant

Important

- Always disconnect the power before installing and cleaning or other maintenance.
 - Consult a qualified, licensed electrician to ensure correct branch circuit conductor.
- Consulter un électricien qualifié pour vous assurer que les conducteurs de la dérivation sont adéquats.*

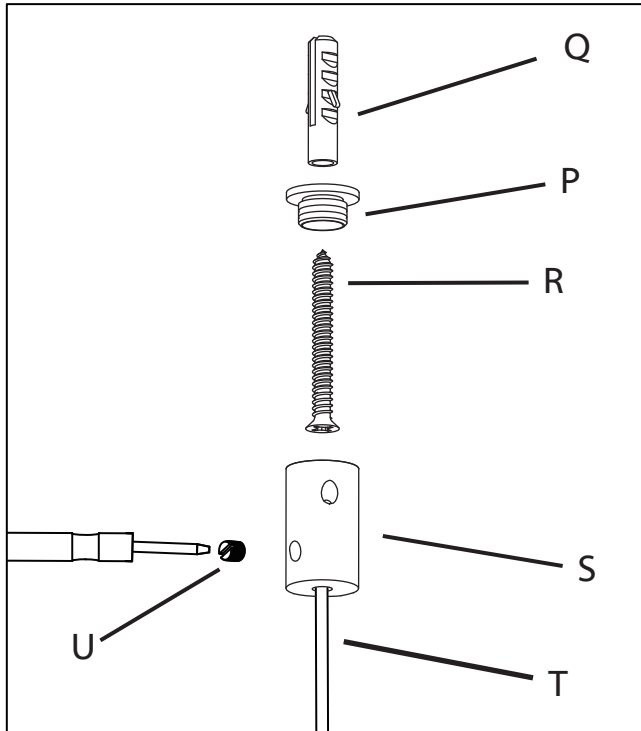


Fig. 3

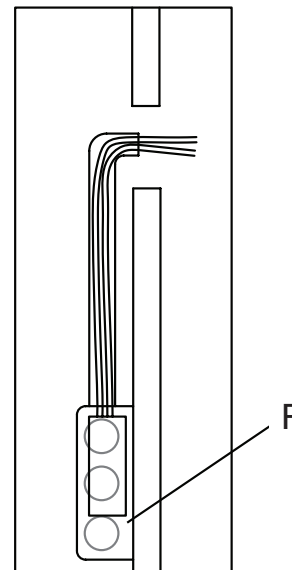


Fig. 2

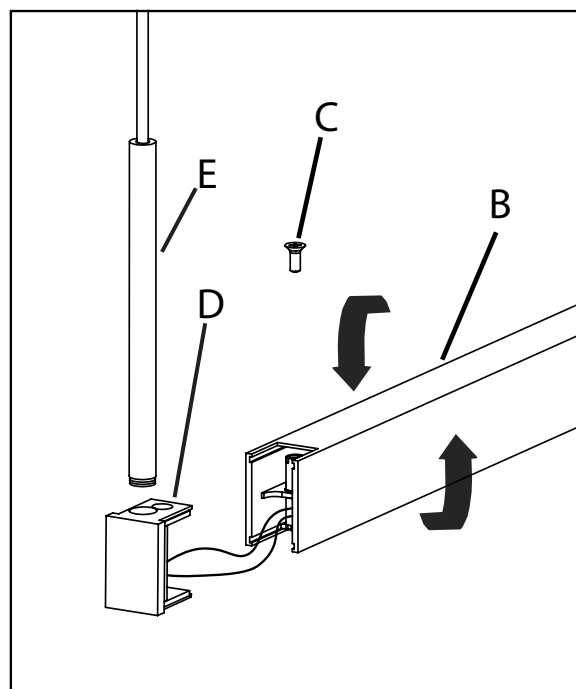


Fig. 1