



3-Cable Pendant Installation Instructions

Powered Cable System





ENGLISH

IMPORTANT! Always shut off power to the circuit before starting installation work. In compliance with product warranty, installation must be completed by a qualified electrician.

ESPAÑOL

¡IMPORTANTE! Siempre pagar el interruptor general de la electricidad antes de iniciar cualquier trabajo de instalación. De acuerdo con la garantía del producto, la instalación debe ser realizada por un electricista calificado.

Read all instructions

- Turn off electrical power before installing or modifying the lighting system in any way.
- **ONLY CONNECT** powered suspension cables to UL Class 2 Driver.
DO NOT CONNECT powered suspension cable directly to supply lines in J-box.
- Do not conceal or extend exposed conductors through a building wall.
- Do not install in wet locations.
- To reduce the risk of fire and burns, do not install fixture where the exposed bare cables can be shorted or contact any conductive material.
- To reduce the risk of fire and overheating, make sure all connections are tight.
- Do not install any light fixture closer than 6" from any curtain or similar combustible materials.

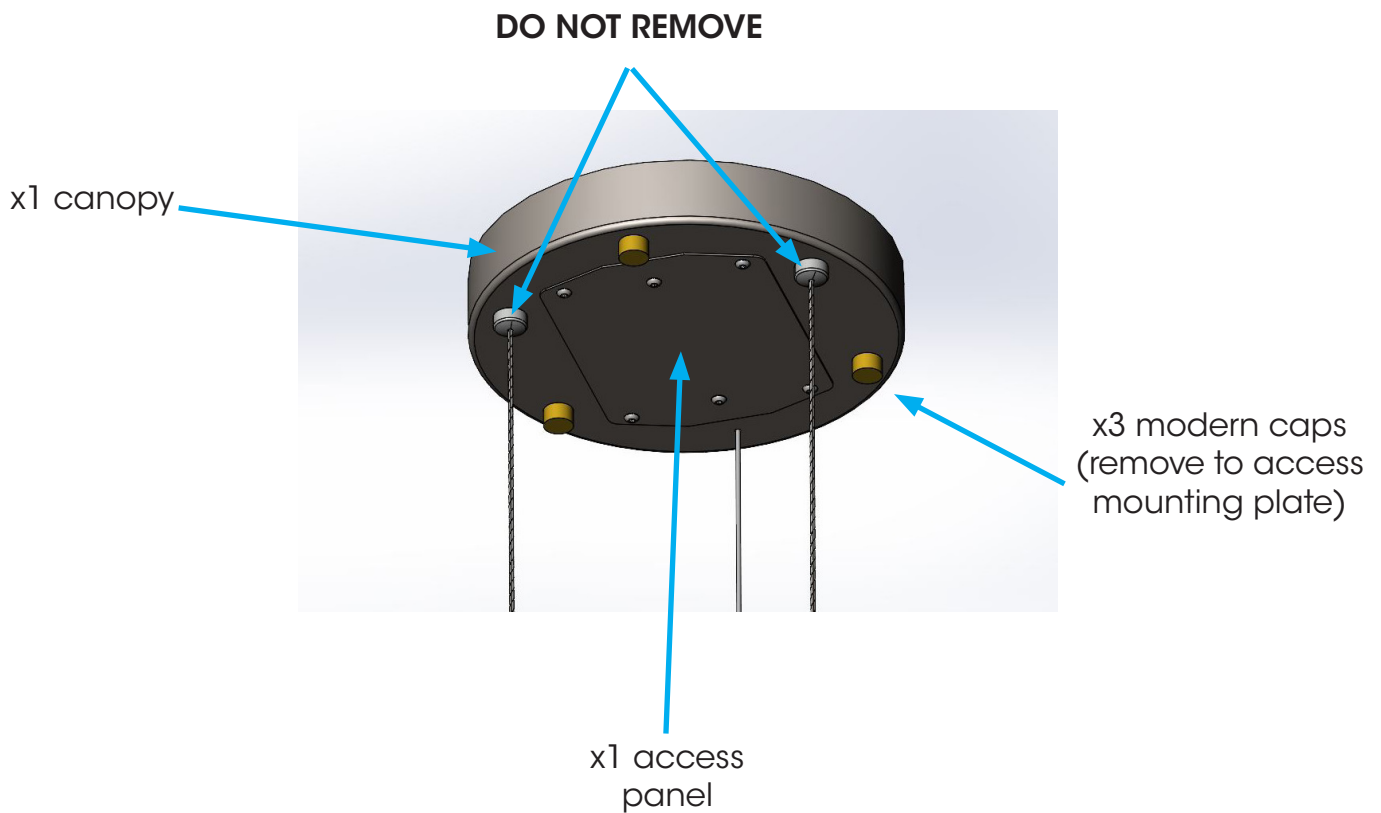
Locate

1x light fixture (powered grip-loc cable grips pre-installed)

1x canopy kit:

- 1x mounting plate
- 1x standard grip-loc cable
- 2x powered grip-loc cables

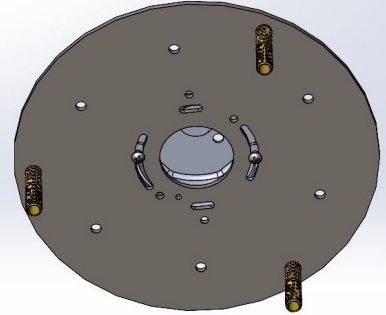
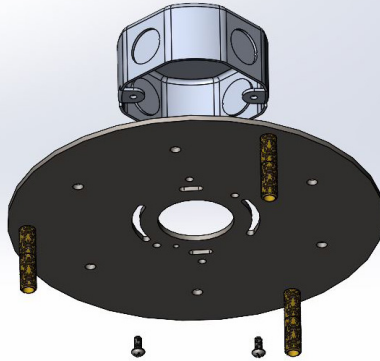
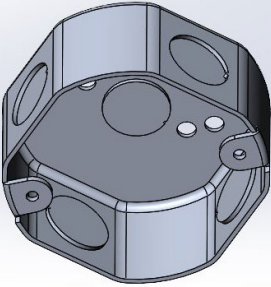
Canopy Detail



(canopy kit arrives complete with mounting plate and parts included)

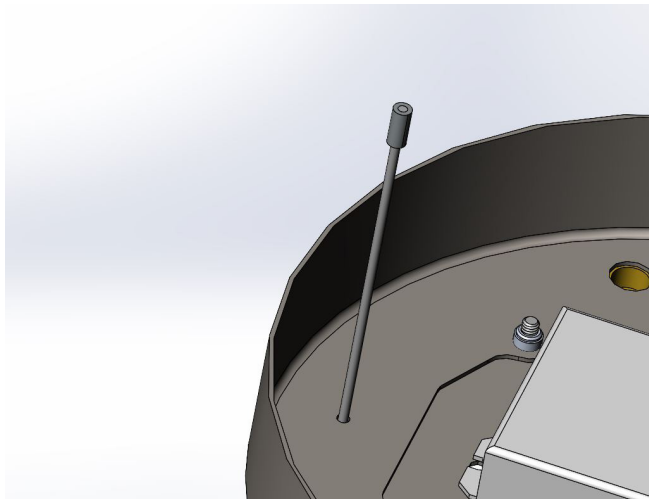
1

Fasten mounting plate to J-box in ceiling using proper fasteners (not included).



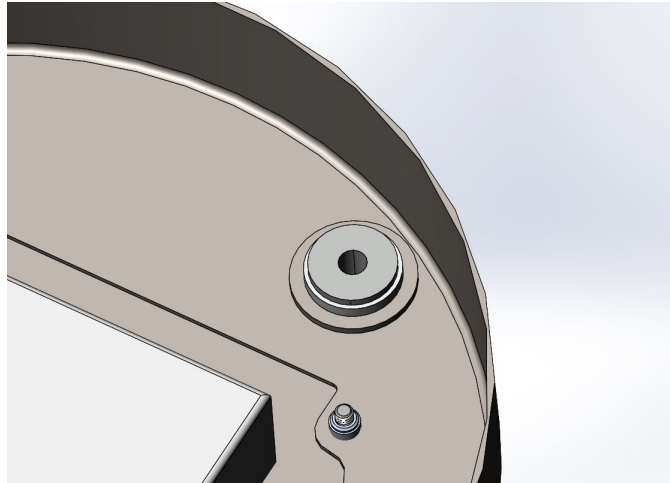
2

Locate smallest hole in canopy. Install 1x **standard** grip-loc cable through canopy with swag end inside canopy.



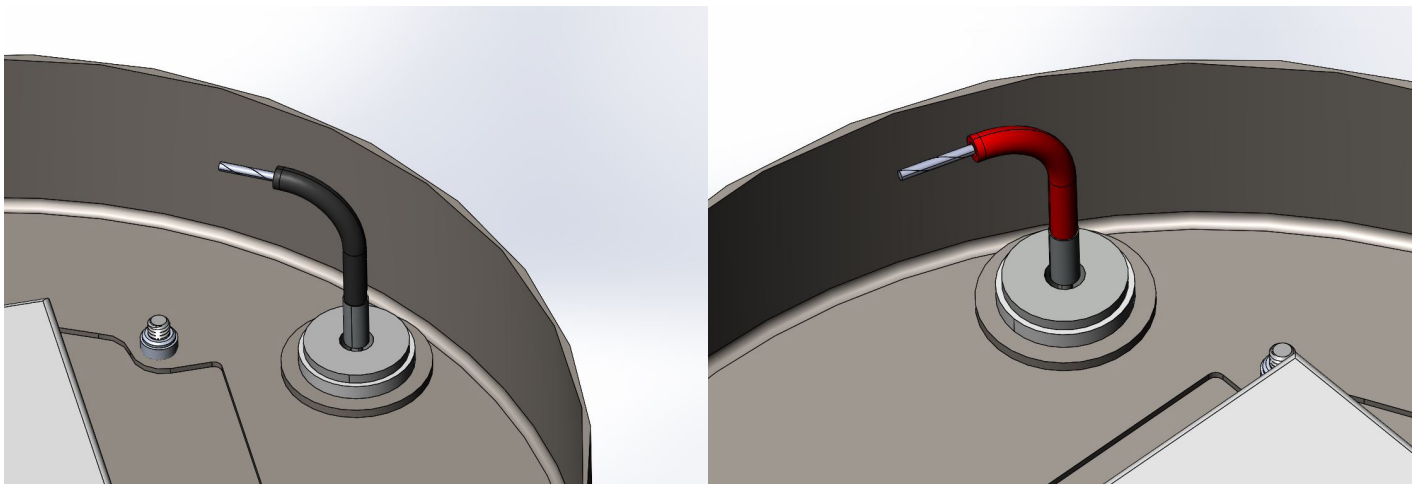
3

Locate pre-installed bushings on canopy.



Install **powered** grip-loc cable with **BLACK** end through canopy with swag end inside canopy.

Install **powered** grip-loc cable with **RED** end through canopy with swag end inside canopy.
(One cable per bushing.)



4

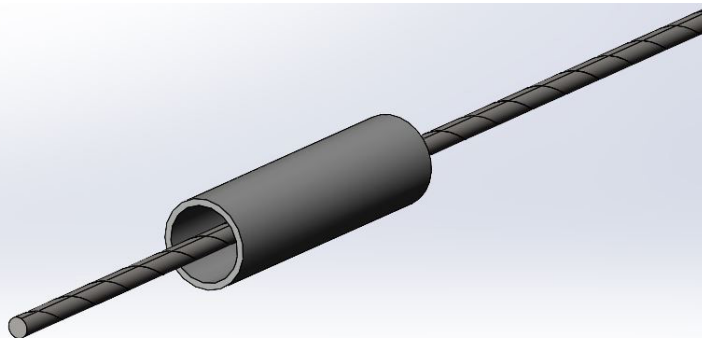
Mount canopy to mounting plate using caps included, be sure to have access panel removed for final installation steps

Please note: Ensure various *RED* and *BLACK* wires from cable ends are accessible at access panel opening.



5

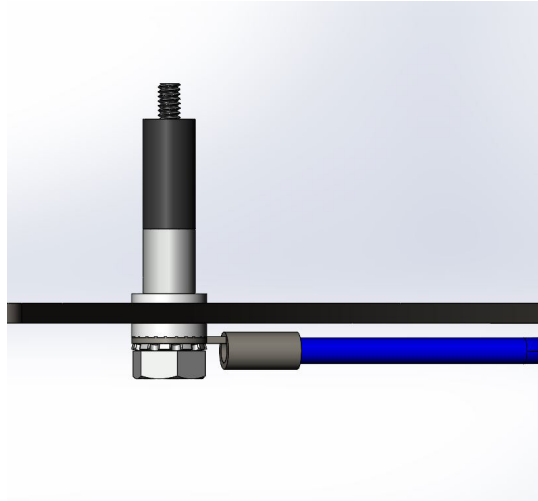
Locate wire covers for **powered** grip-loc cable grips. Slide covers onto cable with large opening facing down.



6

With canopy secured, use proper equipment to lift light fixture into position and feed grip-loc cables through grip-loc fittings (these grip-locs will automatically hold cable and utilize a spring tension release button on top to adjust height).

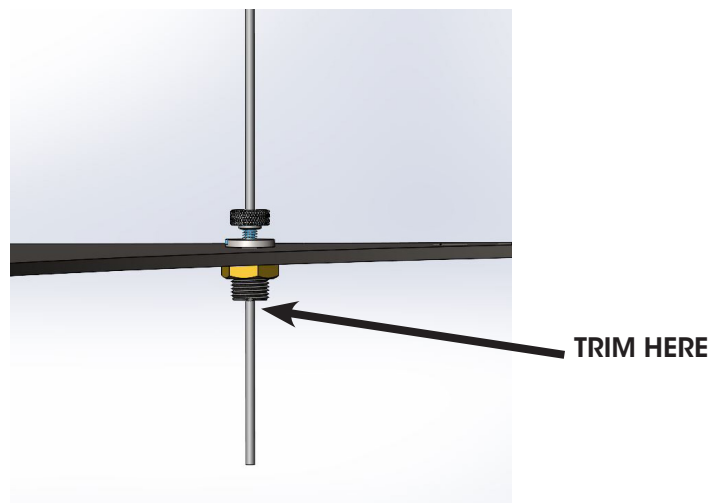
Please note: Ensure powered cable with black cover is inserted into BLACK grip-loc cable grip



Overall height of fixture includes: canopy + grip-loc cables + pendant height

7

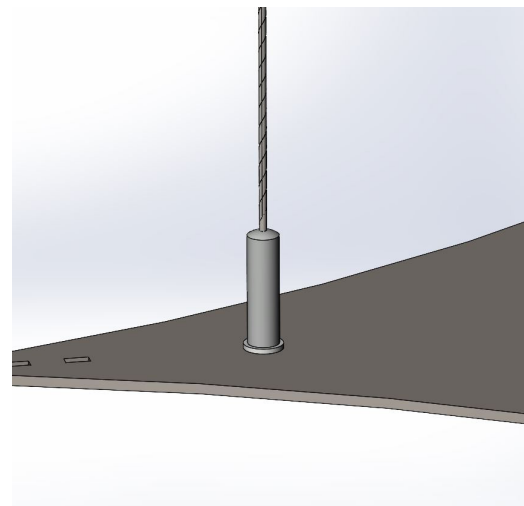
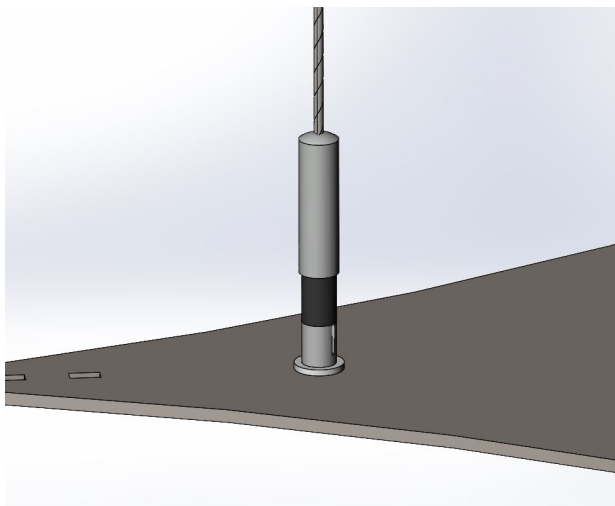
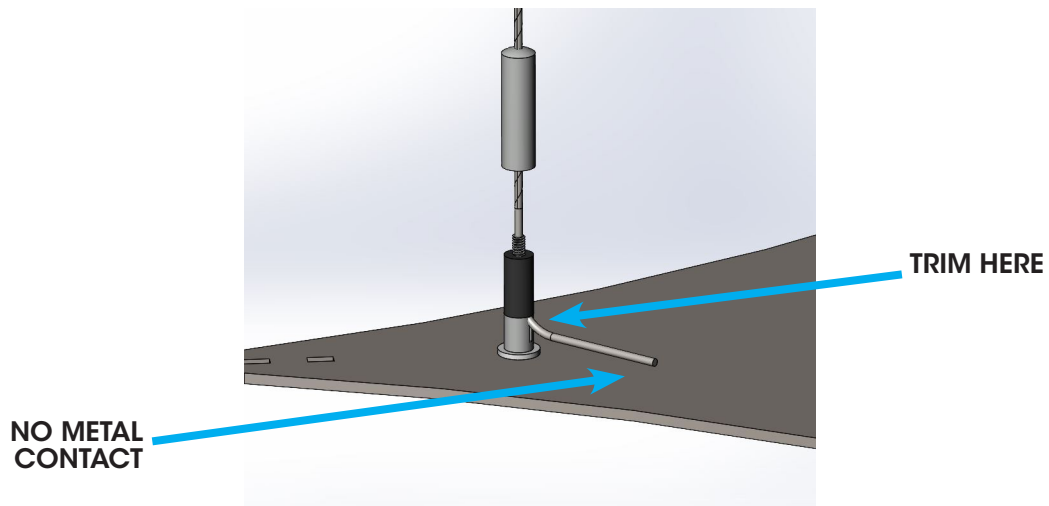
Fine tune cable adjustment at grip-loc fittings to level light fixture. After final adjustments are made, trim excess **standard** grip-loc cable **inside** fixture.



8

Once fixture is level and **standard** grip-loc cable has been trimmed, cut excess **powered** grip-loc cables on **top** of fixture. (Trim cables above white nylon washer so that the wire cover can slide completely over grip-loc assembly.)

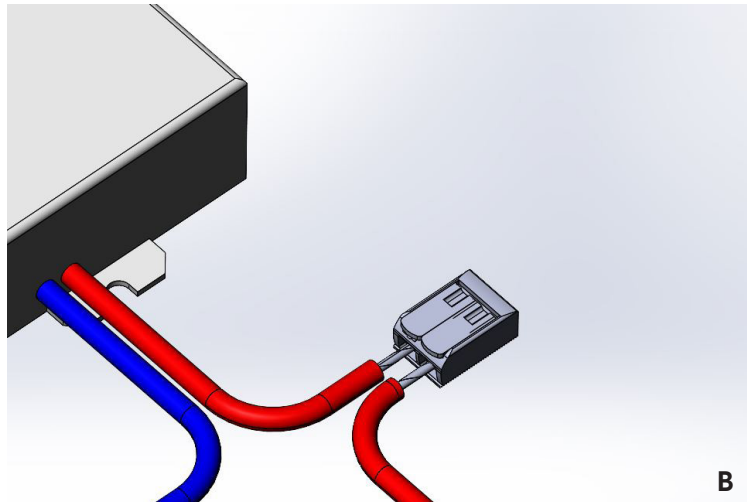
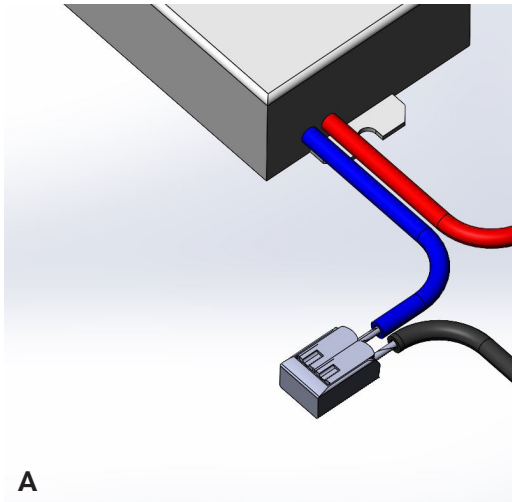
Please note: Powered grip-loc cables CANNOT touch any metal portion of the light fixture beyond the white nylon washer.



9

Connect **powered** grip-loc cables to driver located on canopy access panel. **DO NOT CONNECT **powered** grip-loc cables directly to supply lines in J-box.** (See labels on **powered** grip-loc cables.)

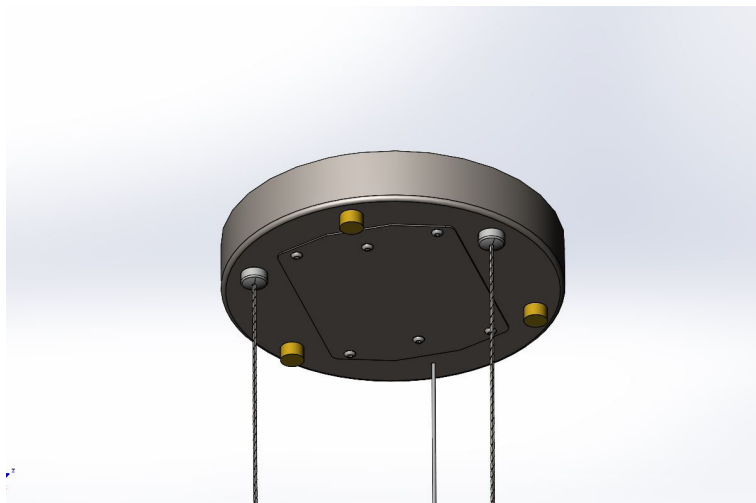
- A. Secure the **BLACK** grip-loc cable to the **BLUE** driver wire.
- B. Secure the **RED** grip-loc cable to the **RED** driver wire.



10

Connect white, black, and green power leads from driver to white, black, and green power leads in J-box.

Close canopy access panel and secure with button head screws provided.





Lights on!

