




A	B	C
		
X1	X6	X1

# REGINA ANDREW

DETROIT

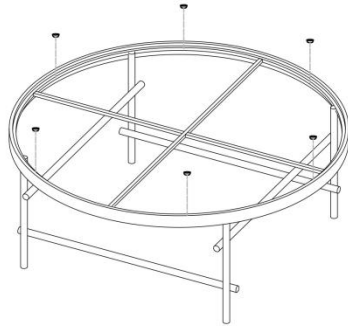
## ITEM NO: 30-1137 Cesario Coffee Table

These instructions are provided for your safety. It is very important that they are read completely before beginning the assembly of your furniture.

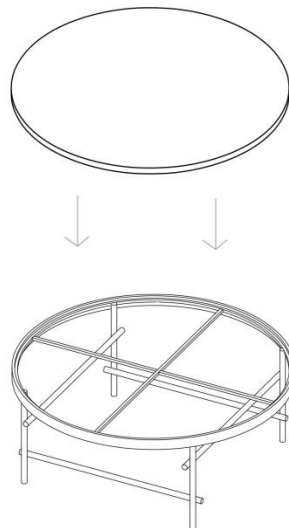
### ASSEMBLY INSTRUCTIONS

PLEASE MAKE SURE THAT YOU HAVE ALL OF THE PARTS, LISTED ON LEFT, BEFORE YOU START. MARBLE TOP IS HEAVY, PLEASE HANDLE WITH CARE. WE SUGGEST MORE THAN ONE PERSON IS NEEDED TO ASSEMBLE THIS TABLE.

①



②



1. Remove all parts from carton, as shown on left. Do not throw away any parts.
2. Place the plastic pads (B) onto the steel frame (A), as shown in sketch.
3. Place the marble top (C) appropriately onto the plastic pads (B).

Made in China