

V-Panels

3096

Bar Pendant

IMPORTANT

- **Always disconnect the power before installing or replacing Luminaires and before cleaning or other maintenance.**
- **Consult a qualified, licensed electrician to ensure correct branch circuit conductor.**
- ***Consulter un électricien qualifié pour vous assurer que les conducteurs de la dérivation sont adéquats.***

Product Information and Warnings

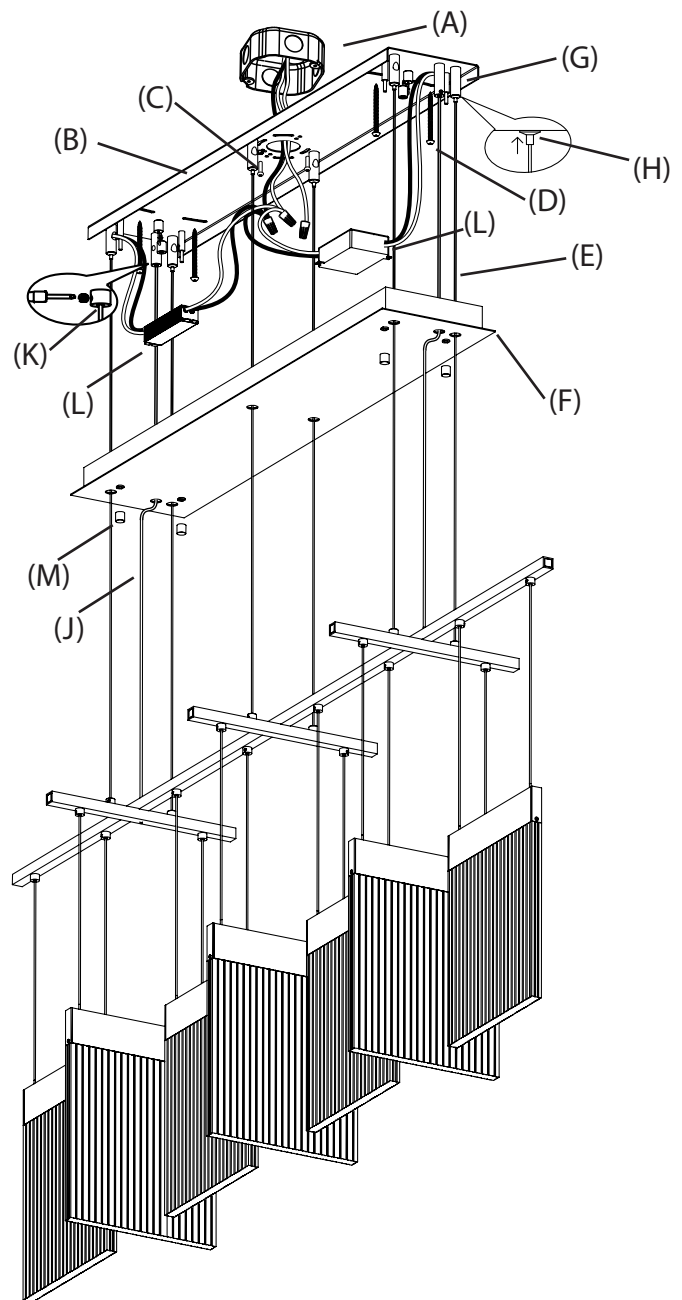
- Please read all included assembly instructions and warnings carefully before installation. Contact Customer Service if you have any questions or concerns. Before installation, please confirm that the fixture is compatible with your supply voltage and dimming system, if present.
- LEDs are highly sensitive electronic devices, and must be treated with care. Do not open any factory sealed compartments, and avoid touching the LEDs with your hands or any object.
- Although all our fixtures are equipped with protective devices, LED electronic systems are vulnerable to power surges and supply variations. Do not install LED fixtures on the same circuit as any motors, appliances, or HVAC systems.
- Do not remove or bypass any LED Driver or Transformer that is provided with the fixture, and do not replace or substitute with another power supply.
- Fixtures must be wired in parallel on independent leads; do not "daisy chain" multiple fixtures together or wire them in series.
- All factory-made splices and connections must remain intact. LED circuits are carefully designed and built, and improper connections may damage the fixture.
- The ends of coaxial pendant cords have been precisely stripped and split at the factory and must not be field cut. Excess cord or cable should be neatly coiled and reserved in the fixture canopy.
- Any mounting hardware is provided for your convenience and should be used with discretion. Always use the appropriate hardware for the mounting surface.

Assembly Instructions

Instructions D'Installation

SONNEMAN®
A WAY OF LIGHT

1. Shut off power to the outlet box (A).
2. Attach the mounting plate (B) to the outlet box (A) with the outlet box screws (C). Secure the plate as needed using anchors and wood screws (D) or other appropriate hardware.
3. Feed the cables (E) through their respective holes in the canopy (F) and install them into the cable grippers (G) on the mounting plate (B).
4. Determine height at which the fixture is to be hung. Adjust the steel cables to the desired height. To shorten the cable, push the cable up and it will lock automatically. To lengthen the cable, lift up on the cable and push up on the plunger lock (H). While keeping the plunger lock depressed, lower the cable to the desired length. Release the plunger lock to set. Reserve extra cable in the canopy (F).
5. Feed power cords (J) through respective holes in the canopy and then through their respective bushings (K). Make appropriate electrical connections to the power supplies (L) using wire nuts:
 - a. Connect the power supply's (L) live wire to the live supply wire.
 - b. Connect the power supply's (L) neutral wire to the neutral supply wire.
 - c. Connect the fixture's ground wire (green or uncoated) to the ground supply wire. If no ground wire is present in the outlet box, connect the power supply's (L) ground wire to the mounting plate (B) using the green screw (included).
6. Fit the canopy (F) over the mounting plate (B), tucking any loose wire or cable inside. Screw the canopy nuts (M) onto the threaded rods to secure the canopy.
7. Make final adjustments the height
8. Restore power to the outlet box (A).



Note:

- **This fixture is dimmable with Electronic Low Voltage (Trailing-Edge) type dimmers, Incandescent (Leading-Edge) type dimmers, and 0-10V type dimmers only.**

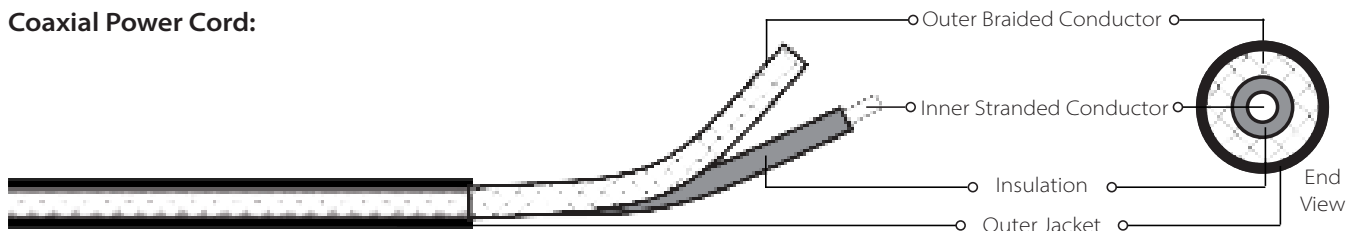
Care Instructions:

Use a clean, dry cloth when dusting. To protect the finish, avoid any harsh abrasives or chemicals.

Coax Splicing

FAILURE TO FOLLOW THESE INSTRUCTIONS WILL VOID THE WARRANTY

Coaxial Power Cord:



If field-cutting is required, please follow these instructions:

1. Make a 1" slice along the length of the cord's outer jacket (Fig. 1).
CAUTION: Do not cut through the outer braided conductor.
2. Carefully strip the outer jacket of the cord and keep the outer braided conductors intact (Fig. 1).
3. Slide the outer braided conductor back to create a bulge and reveal the inner stranded conductor (Fig. 2).
4. Bend the cord to create an opening through the bunched-up portion of outer braided conductor, then pull out the inner stranded conductor (Fig. 3)
5. Twist together the outer braided conductor to form the negative wire of the fixture, then strip 5/8" off the end of the inner stranded conductor to form the positive wire of the fixture (Fig. 4).
6. Re-splice all power cords.

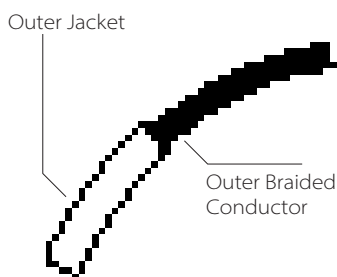


Fig. 1

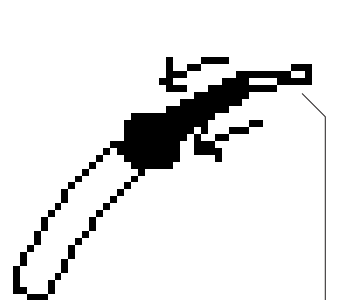


Fig. 2

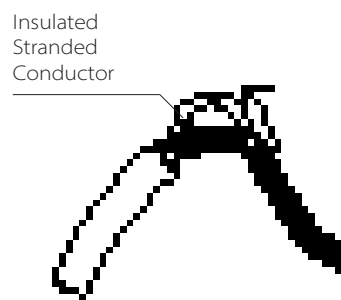


Fig. 3

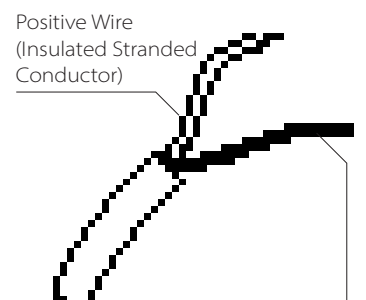


Fig. 4

Insulated Stranded Conductor

Negative Wire (Outer Braided Conductor)