

# INSTALLATION INSTRUCTIONS

Item#4445-582 (Convertible Lamps for Pendant)

**READ AND SAVE THESE INSTRUCTIONS**

**WARNING! SHUT POWER OFF AT FUSE OR CIRCUIT BREAKER.**  
**AVERTISSEMENT! COUPER LE COURANT AU NIVEAU DES FUSIBLES OU DU DISJONCTEUR.**

## ASSEMBLING THE FIXTURE (Fig. 1)

1. Shut off the power at the fuse box or circuit breaker. If necessary, remove old fixture, including mounting hardware.
2. Carefully remove the fixture from the carton and check that all parts are included as shown in the illustration.
3. Attach fixture loop (A) by screwing to nipple (H).

## MOUNTING THE FIXTURE (Fig. 2)

4. Thread the nipple into the ceiling loop until snug.
5. Thread the other end of the nipple into the crossbar until snug. Note: The length of the nipple into the crossbar may be adjusted if necessary.
6. Place the lock washer and hex nut over the end of nipple protruding through crossbar. Then thread the hex nut onto the nipple until snug.
7. Take this crossbar assembly and mount it to ceiling outlet box using the mounting screws (Size: #8-32N\*L0.5"). The side of crossbar marked "GND" must face out.
8. Use proper chain pliers to open one end link of the chain and connect to the fixture loop. Then close the link.
9. By measuring, determine the correct number of links needed for the desired hanging height. Using the chain pliers, disconnect and discard the excess chain.
10. Carefully lace the fixture wires through the chain.
11. Slip the lock collar and canopy over the chain and allow them to rest on the fixture body.
12. Open the other end of the chain and attach it to the ceiling loop. Then close the chain.
13. Carefully feed the fixture wires through the ceiling loop and nipple and pull tight.

## CONNECTING THE WIRES (Fig. 3)

14. At this point, connect the electrical wires as shown in Fig. 3 making sure that all wire connectors are secured. If your outlet box has a ground wire (green or bare copper), connect the fixture's ground wire to it. Otherwise, connect the fixture's ground wire directly to the crossbar using the green screw provided.
15. Tuck the wire connections neatly into the ceiling outlet box and raise the canopy to the ceiling. Thread the lock collar to the ceiling loop to secure the canopy against the ceiling.

## FINISHING THE FIXTURE (Fig.1)

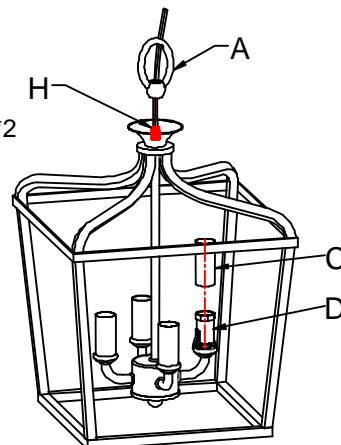
16. Place the tube (C) over the socket (D) of the fixture body
17. Install light bulbs (not included) in accordance with the fixture's specification. (DO NOT EXCEED THE MAXIMUM WATTAGE RATING) (**NE PAS DEPASSER LA PUISSANCE NOMINALE MAXIMALE!**).

Your installation is now complete. Return power to the junction box and test the fixture.

**Note:** Illustration (Fig. 1) on this manual is for installation purposes only. It may or may not be identical to the fixture purchased.

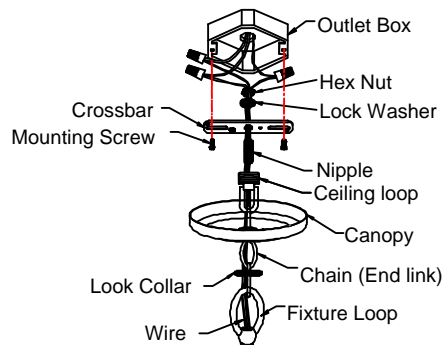
Fig. 1

Set# A-010  
 -Crossbar  
 -Ground screw  
 -Mounting Screw\*2



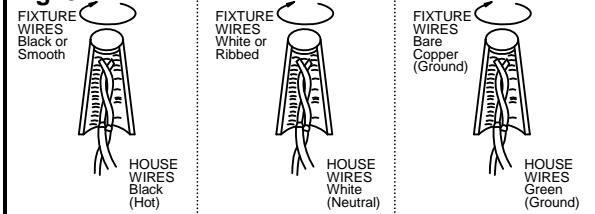
CandleCover#CCV21048P-582

Fig. 2



Chain # HCH2072-582

Fig. 3



Notice: It is important to use proper chain pliers (not included) To OPEN and CLOSE the chain included with this fixture. Do not open them with other tools that may twist or stress the chain links. It is important to use proper chain pliers like the ones shown in the diagram.



LA-2529E

# INSTALLATION INSTRUCTIONS

Item#4445-582 (Convertible Lamps for Semi Flush Mount)

## READ AND SAVE THESE INSTRUCTIONS

**WARNING! SHUT POWER OFF AT FUSE OR CIRCUIT BREAKER.**  
**AVERTISSEMENT! COUPER LE COURANT AU NIVEAU DES FUSIBLES OU DU DISJONCTEUR.**

### ASSEMBLING THE FIXTURE (Fig. 4)

1. Remove fixture loop (A) from the wire and cut down a length of wire if the wire is too long. (Fig.1)
2. Secure coupling (K) into nipple (H) by using wrench (M).
3. Place the tubes (C) over the socket (D).

### MOUNTING THE FIXTURE (Fig. 4)

4. Thread wire into canopy (J), lock washer (P), washer (N) and hex nut (F) in sequence, then secure them into the coupling (K) by using wrench (M).
5. Thread studs (I) into the pre-drilled holes in the circular strap (B) spaced the same distance apart as the holes in the canopy (J).
6. Attach the circular strap (B) to the Junction box using mounting screws (E) (Size: #8-32N\*L0.5"). The side of the circular strap marked "GND" must face out.

### CONNECTING THE WIRES (Fig.3)

7. At this point, connect the electrical wires as shown in figure 3, making sure that all wire connectors are secured. If your outlet has a ground wire (green or bare copper), connect the fixture's ground wire to it. Otherwise, connect the fixture's ground wire directly to the circular strap using the green screw provided.
8. Tuck the wire connectors neatly into the ceiling Junction Box and then raise the canopy all the way to the ceiling.
9. Place canopy (J) onto studs (I) and secure with cap nuts (L).

### COMPLETING THE INSTALLATION (Fig. 4)

10. Install light bulbs (not included) in accordance with the fixture's specification. (DO NOT EXCEED THE MAXIMUM WATTAGE RATING) **(NE PAS DEPASSER LA PUISSANCE NOMINALE MAXIMALE!)**.

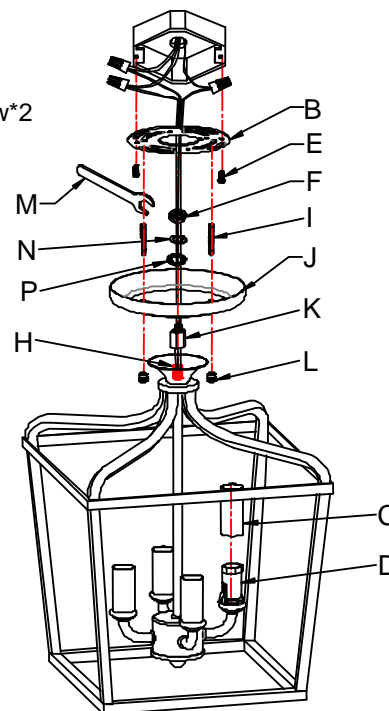
Your installation is now complete. Return power to the junction box and test the fixture.

**Note: Illustration (Fig. 1) on this manual is for installation purposes only. It may or may not be identical to the fixture purchased.**

Fig. 4

Set# A-020

-Circular Strap  
-Ground screw  
-Mounting Screw\*2



Candle Cover# CCV21048P-582

Wrench#WRH-Y-89



# INSTALLATION INSTRUCTIONS

Item#4447-582 (Convertible Lamps for Pendant)

**READ AND SAVE THESE INSTRUCTIONS**

**WARNING! SHUT POWER OFF AT FUSE OR CIRCUIT BREAKER.**

**AVERTISSEMENT! COUPER LE COURANT AU NIVEAU DES FUSIBLES OU DU DISJONCTEUR.**

## ASSEMBLING THE FIXTURE (Fig. 1)

1. Shut off the power at the fuse box or circuit breaker. If necessary, remove old fixture, including mounting hardware.
2. Carefully remove the fixture from the carton and check that all parts are included as shown in the illustration.
3. Attach fixture loop (A) by screwing to nipple (H).

## MOUNTING THE FIXTURE (Fig. 2)

4. Thread the nipple into the ceiling loop until snug.
5. Thread the other end of the nipple into the crossbar until snug. Note: The length of the nipple into the crossbar may be adjusted if necessary.
6. Place the lock washer and hex nut over the end of nipple protruding through crossbar. Then thread the hex nut onto the nipple until snug.
7. Take this crossbar assembly and mount it to ceiling outlet box using the mounting screws (Size: #8-32N\*L0.5"). The side of crossbar marked "GND" must face out.
8. Use proper chain pliers to open one end link of the chain and connect to the fixture loop. Then close the link.
9. By measuring, determine the correct number of links needed for the desired hanging height. Using the chain pliers, disconnect and discard the excess chain.
10. Carefully lace the fixture wires through the chain.
11. Slip the lock collar and canopy over the chain and allow them to rest on the fixture body.
12. Open the other end of the chain and attach it to the ceiling loop. Then close the chain.
13. Carefully feed the fixture wires through the ceiling loop and nipple and pull tight.

## CONNECTING THE WIRES (Fig. 3)

14. At this point, connect the electrical wires as shown in Fig. 3 making sure that all wire connectors are secured. If your outlet box has a ground wire (green or bare copper), connect the fixture's ground wire to it. Otherwise, connect the fixture's ground wire directly to the crossbar using the green screw provided.
15. Tuck the wire connections neatly into the ceiling outlet box and raise the canopy to the ceiling. Thread the lock collar to the ceiling loop to secure the canopy against the ceiling.

## FINISHING THE FIXTURE (Fig.1)

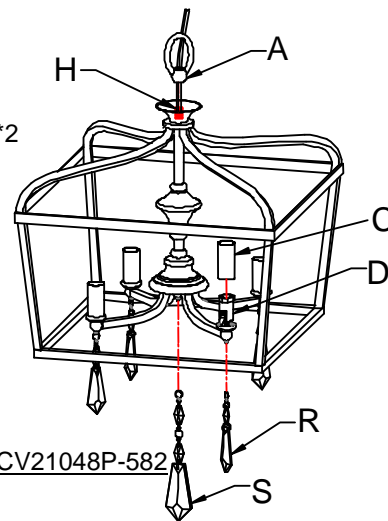
16. Place the tube (C) over the socket (D) of the fixture body.
17. Hang the crystal drops (R) (S) to proper position of fixture body.
18. Install light bulbs (not included) in accordance with the fixture's specification. (DO NOT EXCEED THE MAXIMUM WATTAGE RATING) (**NE PAS DEPASSER LA PUISSANCE NOMINALE MAXIMALE!**).

Your installation is now complete. Return power to the junction box and test the fixture.

**Note: Illustration (Fig. 1) on this manual is for installation purposes only. It may or may not be identical to the fixture purchased.**

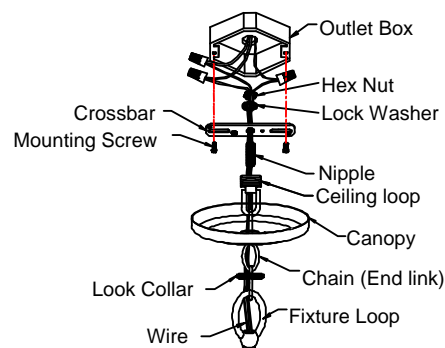
**Fig. 1**

Set# A-010  
 -Crossbar  
 -Ground screw  
 -Mounting Screw\*2



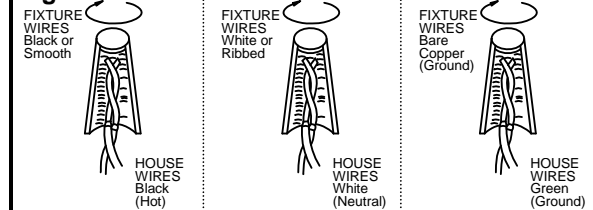
Candle Cover#CCV21048P-582

**Fig. 2**



Chain # HCH2072-582

**Fig. 3**



Notice: It is important to use proper chain pliers (not included) To OPEN and CLOSE the chain included with this fixture. Do not open them with other tools that may twist or stress the chain links. It is important to use proper chain pliers like the ones shown in the diagram.



# INSTALLATION INSTRUCTIONS

Item#4447-582 (Convertible Lamps for Semi Flush Mount)

## READ AND SAVE THESE INSTRUCTIONS

**WARNING! SHUT POWER OFF AT FUSE OR CIRCUIT BREAKER.**  
**AVERTISSEMENT! COUPER LE COURANT AU NIVEAU DES FUSIBLES OU DU DISJONCTEUR.**

### ASSEMBLING THE FIXTURE (Fig. 4)

1. Remove loop (A) from the wire and cut down a length of wire if the wire is too long. (Fig.1)
2. Secure coupling (K) into nipple (H) by using wrench (M).
3. Place the tubes (C) over the socket (D).

### MOUNTING THE FIXTURE (Fig. 4)

4. Thread wire into canopy (J), lock washer (P), washer (N) and hex nut (F) in sequence, then secure them into the coupling (K) by using wrench (M).
5. Thread studs (I) into the pre-drilled holes in the circular strap (B) spaced the same distance apart as the holes in the canopy (J).
6. Attach the circular strap (B) to the Junction box using mounting screws (E) (Size: #8-32N\*L0.5"). The side of the circular strap marked "GND" must face out. (Fig. 4)

### CONNECTING THE WIRES (Fig.3)

7. At this point, connect the electrical wires as shown in figure 3, making sure that all wire connectors are secured. If your outlet has a ground wire (green or bare copper), connect the fixture's ground wire to it. Otherwise, connect the fixture's ground wire directly to the circular strap using the green screw provided.
8. Tuck the wire connectors neatly into the ceiling Junction Box and then raise the canopy all the way to the ceiling.
9. Place canopy (J) onto studs (I) and secure with cap nuts (L).

### COMPLETING THE INSTALLATION (Fig. 4)

10. Hang the crystal drops (R) (S) to proper position of fixture body.
11. Install light bulbs (not included) in accordance with the fixture's specification. (DO NOT EXCEED THE MAXIMUM WATTAGE RATING) **(NE PAS DEPASSER LA PUISSANCE NOMINALE MAXIMALE!)**.

Your installation is now complete. Return power to the junction box and test the fixture.

**Note: Illustration (Fig. 1) on this manual is for installation purposes only. It may or may not be identical to the fixture purchased.**

**Fig. 4**

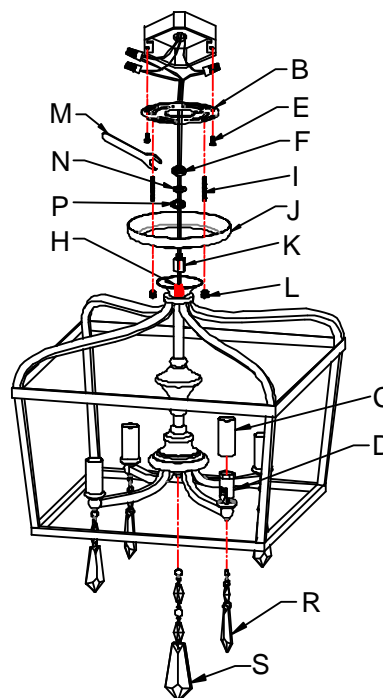
Set# A-020

-Circular Strap

-Ground screw

-Mounting Screw\*2

Wrench#WRH-Y-89



american  
lighting  
association

LA-2531E

# INSTALLATION INSTRUCTIONS

Item#4448-582 (Convertible Lamps for Pendant)

**READ AND SAVE THESE INSTRUCTIONS**

**WARNING! SHUT POWER OFF AT FUSE OR CIRCUIT BREAKER.**  
**AVERTISSEMENT! COUPER LE COURANT AU NIVEAU DES FUSIBLES OU DU DISJONCTEUR.**

## ASSEMBLING THE FIXTURE (Fig. 1)

1. Shut off the power at the fuse box or circuit breaker. If necessary, remove old fixture, including mounting hardware.
2. Carefully remove the fixture from the carton and check that all parts are included as shown in the illustration.
3. Attach fixture loop (A) by screwing to nipple (H).

## MOUNTING THE FIXTURE (Fig. 2)

4. Thread the nipple into the ceiling loop until snug.
5. Thread the other end of the nipple into the crossbar until snug.  
Note: The length of the nipple into the crossbar may be adjusted if necessary.
6. Place the lock washer and hex nut over the end of nipple protruding through crossbar. Then thread the hex nut onto the nipple until snug.
7. Take this crossbar assembly and mount it to ceiling outlet box using the mounting screws (Size: #8-32N\*L0.5"). The side of crossbar marked "GND" must face out.
8. Use proper chain pliers to open one end link of the chain and connect to the fixture loop. Then close the link.
9. By measuring, determine the correct number of links needed for the desired hanging height. Using the chain pliers, disconnect and discard the excess chain.
10. Carefully lace the fixture wires through the chain.
11. Slip the lock collar and canopy over the chain and allow them to rest on the fixture body.
12. Open the other end of the chain and attach it to the ceiling loop. Then close the chain.
13. Carefully feed the fixture wires through the ceiling loop and nipple and pull tight.

## CONNECTING THE WIRES (Fig. 3)

14. At this point, connect the electrical wires as shown in Fig. 3 making sure that all wire connectors are secured. If your outlet box has a ground wire (green or bare copper), connect the fixture's ground wire to it. Otherwise, connect the fixture's ground wire directly to the crossbar using the green screw provided.
15. Tuck the wire connections neatly into the ceiling outlet box and raise the canopy to the ceiling. Thread the lock collar to the ceiling loop to secure the canopy against the ceiling.

## FINISHING THE FIXTURE (Fig.1)

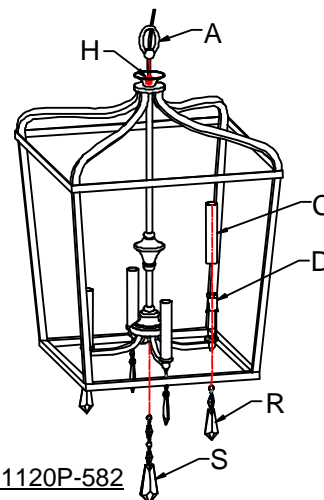
16. Place the tube (C) over the socket (D) of the fixture body
17. Hang the crystal drops (R) (S) to proper position of fixture body.
18. Install light bulbs (not included) in accordance with the fixture's specification. (DO NOT EXCEED THE MAXIMUM WATTAGE RATING) (**NE PAS DEPASSER LA PUISSANCE NOMINALE MAXIMALE!**).

Your installation is now complete. Return power to the junction box and test the fixture.

**Note: Illustration (Fig. 1) on this manual is for installation purposes only. It may or may not be identical to the fixture purchased.**

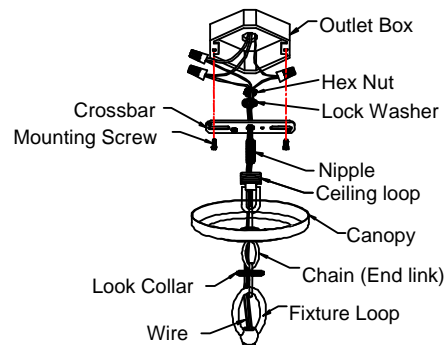
Fig. 1

Set# A-010  
 -Crossbar  
 -Ground screw  
 -Mounting Screw\*2



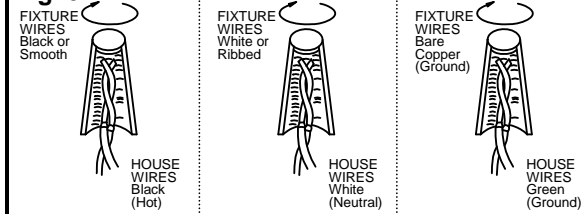
CandleCover# CCV21120P-582

Fig. 2



Chain # HCH2072-582

Fig. 3



Notice: It is important to use proper chain pliers (not included) To OPEN and CLOSE the chain included with this fixture. Do not open them with other tools that may twist or stress the chain links. It is important to use proper chain pliers like the ones shown in the diagram.



LA-2530E

# INSTALLATION INSTRUCTIONS

Item#4448-582 (Convertible Lamps for Semi Flush Mount)

## READ AND SAVE THESE INSTRUCTIONS

**WARNING! SHUT POWER OFF AT FUSE OR CIRCUIT BREAKER.**  
**AVERTISSEMENT! COUPER LE COURANT AU NIVEAU DES FUSIBLES OU DU DISJONCTEUR.**

### ASSEMBLING THE FIXTURE (Fig. 4)

1. Remove loop (A) from the wire and cut down a length of wire if the wire is too long. (Fig.1)
2. Secure coupling (K) into nipple (H) by using wrench (M).
3. Place the tubes (C) over the socket (D).

### MOUNTING THE FIXTURE (Fig. 4)

4. Thread wire into canopy (J), lock washer (P), washer (N) and hex nut (F) in sequence, then secure them into the coupling (K) by using wrench (M).
5. Thread studs (I) into the pre-drilled holes in the circular strap (B) spaced the same distance apart as the holes in the canopy (J).
6. Attach the circular strap (B) to the Junction box using mounting screws (E) (Size: #8-32N\*L0.5"). The side of the circular strap marked "GND" must face out. (Fig. 4)

### CONNECTING THE WIRES (Fig.3)

7. At this point, connect the electrical wires as shown in figure 3, making sure that all wire connectors are secured. If your outlet has a ground wire (green or bare copper), connect the fixture's ground wire to it. Otherwise, connect the fixture's ground wire directly to the circular strap using the green screw provided.
8. Tuck the wire connectors neatly into the ceiling Junction Box and then raise the canopy all the way to the ceiling.
9. Place canopy (J) onto studs (I) and secure with cap nuts (L).

Your installation is now complete. Return power to the junction box and test the fixture.

### COMPLETING THE INSTALLATION (Fig. 4)

10. Hang the crystal drops (R) (S) to proper position of fixture body.
11. Install light bulbs (not included) in accordance with the fixture's specification. (DO NOT EXCEED THE MAXIMUM WATTAGE RATING) **(NE PAS DEPASSER LA PUISSANCE NOMINALE MAXIMALE!)**.

**Note: Illustration (Fig. 1) on this manual is for installation purposes only. It may or may not be identical to the fixture purchased.**

Fig. 4

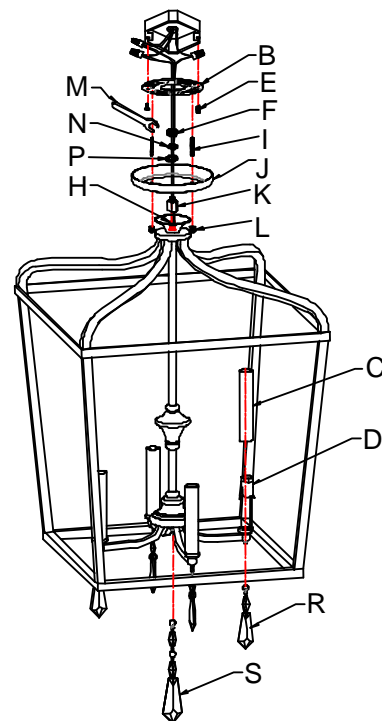
Set# A-020

-Circular Strap

-Ground screw

-Mounting Screw\*2

CandleCover#CCV21120P-582



Wrench#WRH-Y-89



american  
lighting  
association

LA-2530E