

INSTALLATION INSTRUCTION FOR FIXTURE

Item#4652-579 (New. 2021/02/01)

WARNING! SHUT POWER OFF AT FUSE OR CIRCUIT BREAKER.
AVERTISSEMENT! COUPER LE COURANT AU NIVEAU DES FUSIBLES OU DU DISJONCTEUR.

MOUNTING THE FIXTURE (FIG. 1)

1. Shut of power at the fuse box or circuit breaker box and remove the old fixture including the mounting hardware.
2. Carefully unpack your new fixture and lay out all the parts in a clean area. Take care not to misplace any small parts necessary for installation.
3. Thread all thread (C) into crossbar (A), then secure with spring washer and hex nut.
4. Attach the crossbar (A) to the outlet box using the mounting screws (B) (SIZE: #8-32N * L0.5"). The side of the crossbar (A) marked "GND" must face out.

CONNECTING THE WIRES (FIG. 2)

5. Connect the electrical wires as shown in Fig. 2, making sure that all wire nuts are secured. If your outlet box has a ground wire (green or bare copper), connect the fixture's ground wire to it. Otherwise, connect the fixture's ground wire directly to the crossbar (A) using the green screw provided.
6. After the wires are connected, tuck them carefully inside the outlet box.

ASSEMBLE THE FIXTURE (FIG. 1)

7. Attach the fixture body onto the outlet box by sliding all thread (C) through mounting hole on the back plate (D) and secure with finial (E).
8. Install (2) two candelabra base bulbs (H) up to 60 watts each or CFL or LED equivalent (not included) in accordance with the fixture specification. **—DO NOT EXCEED THE MAXIMUM WATTAGE RATING! (NE PAS DEPASSER LA PUISSANCE NOMINALE MAXIMALE!)**
9. Insert glass shades (I) onto cups (F) and twist the glass shades (I) to secure.

Your installation is now complete. Return power to the outlet box and test the fixture.

Fig.1

Set A-010
 -Crossbar
 -Ground Screw
 - ALL THREAD

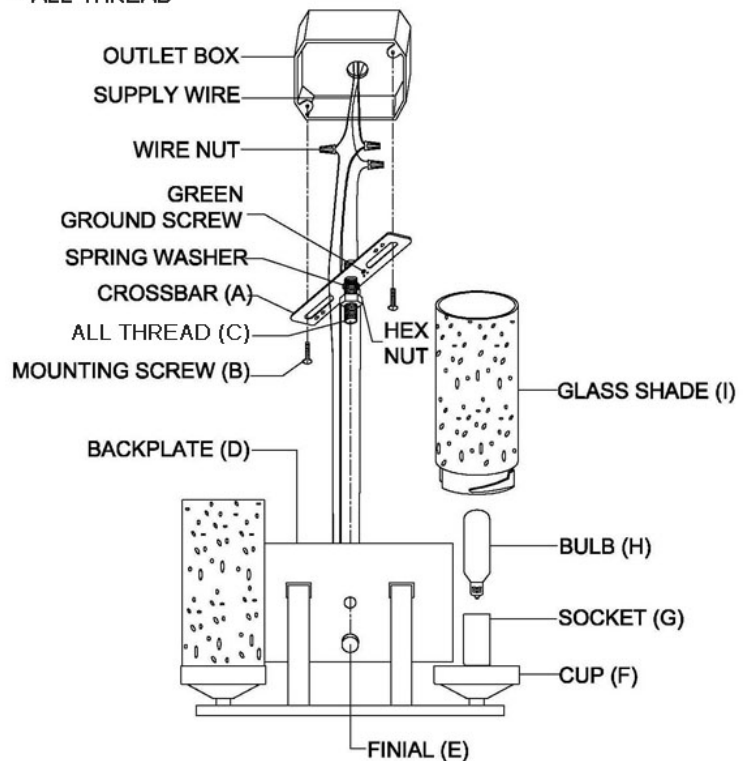
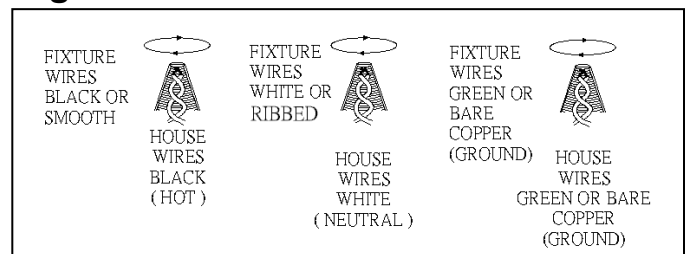


Fig.2



LA-3302E

INSTALLATION INSTRUCTION FOR FIXTURE

Item#4653-579 (New. 2021/02/01)

WARNING! SHUT POWER OFF AT FUSE OR CIRCUIT BREAKER.
AVERTISSEMENT! COUPER LE COURANT AU NIVEAU DES FUSIBLES OU DU DISJONCTEUR.

MOUNTING THE FIXTURE (FIG. 1)

1. Shut of power at the fuse box or circuit breaker box and remove the old fixture including the mounting hardware.
2. Carefully unpack your new fixture and lay out all the parts in a clean area. Take care not to misplace any small parts necessary for installation.
3. Thread all thread (C) into crossbar (A), then secure with spring washer and hex nut.
4. Attach the crossbar (A) to the outlet box using the mounting screws (B) (SIZE: #8-32N * L0.5"). The side of the crossbar (A) marked "GND" must face out.

CONNECTING THE WIRES (FIG. 2)

5. Connect the electrical wires as shown in Fig. 2, making sure that all wire nuts are secured. If your outlet box has a ground wire (green or bare copper), connect the fixture's ground wire to it. Otherwise, connect the fixture's ground wire directly to the crossbar (A) using the green screw provided.
6. After the wires are connected, tuck them carefully inside the outlet box.

ASSEMBLE THE FIXTURE (FIG. 1)

7. Attach the fixture body onto the outlet box by sliding all thread (C) through mounting hole on the back plate (D) and secure with finial (E).
8. Install (3) three candelabra base bulbs (H) up to 60 watts each or CFL or LED equivalent (not included) in accordance with the fixture specification. **—DO NOT EXCEED THE MAXIMUM WATTAGE RATING! (NE PAS DEPASSER LA PUISSANCE NOMINALE MAXIMALE!)**
9. Insert glass shades (I) onto cups (F) and twist the glass shades (I) to secure.

Your installation is now complete. Return power to the outlet box and test the fixture.

Fig.1

Set A-010

-Crossbar

-Ground Screw

- ALL THREAD

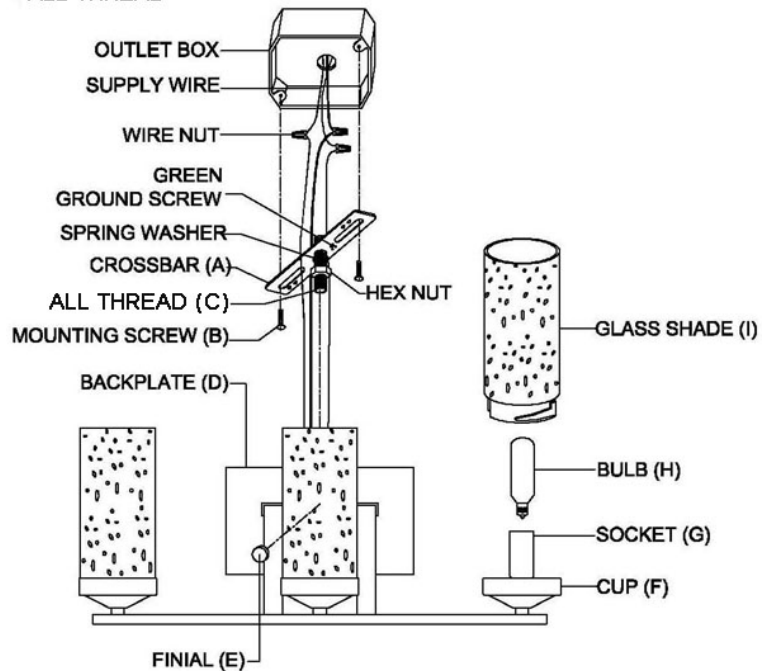
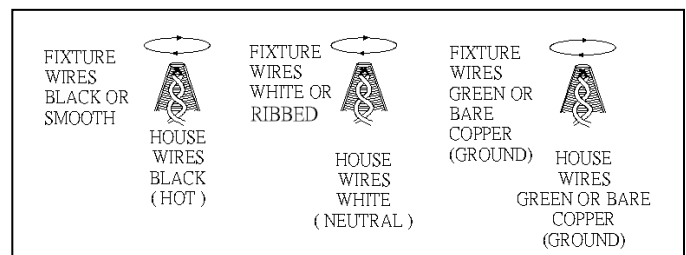


Fig.2



LA-3303E

INSTALLATION INSTRUCTION FOR FIXTURE

Item#4654-579 (New. 2021/02/01)

WARNING! SHUT POWER OFF AT FUSE OR CIRCUIT BREAKER.
AVERTISSEMENT! COUPER LE COURANT AU NIVEAU DES FUSIBLES OU DU DISJONCTEUR.

MOUNTING THE FIXTURE (FIG. 1)

1. Shut of power at the fuse box or circuit breaker box and remove the old fixture including the mounting hardware.
2. Carefully unpack your new fixture and lay out all the parts in a clean area. Take care not to misplace any small parts necessary for installation.
3. Thread all thread (C) into crossbar (A), then secure with spring washer and hex nut.
4. Attach the crossbar (A) to the outlet box using the mounting screws (B) (SIZE: #8-32N * L0.5"). The side of the crossbar (A) marked "GND" must face out.

CONNECTING THE WIRES (FIG. 2)

5. Connect the electrical wires as shown in Fig. 2, making sure that all wire nuts are secured. If your outlet box has a ground wire (green or bare copper), connect the fixture's ground wire to it. Otherwise, connect the fixture's ground wire directly to the crossbar (A) using the green screw provided.
6. After the wires are connected, tuck them carefully inside the outlet box.

ASSEMBLE THE FIXTURE (FIG. 1)

7. Attach the fixture body onto the outlet box by sliding all thread (C) through mounting hole on the back plate (D) and secure with finial (E).
8. Install (4) four candelabra base bulbs (H) up to 60 watts each or CFL or LED equivalent (not included) in accordance with the fixture specification. **—DO NOT EXCEED THE MAXIMUM WATTAGE RATING! (NE PAS DEPASSER LA PUISSANCE NOMINALE MAXIMALE!**
9. Insert glass shades (I) onto cups (F) and twist the glass shades (I) to secure.

Your installation is now complete. Return power to the outlet box and test the fixture.

Fig.1

Set A-010
-Crossbar
-Ground Screw
- ALL THREAD

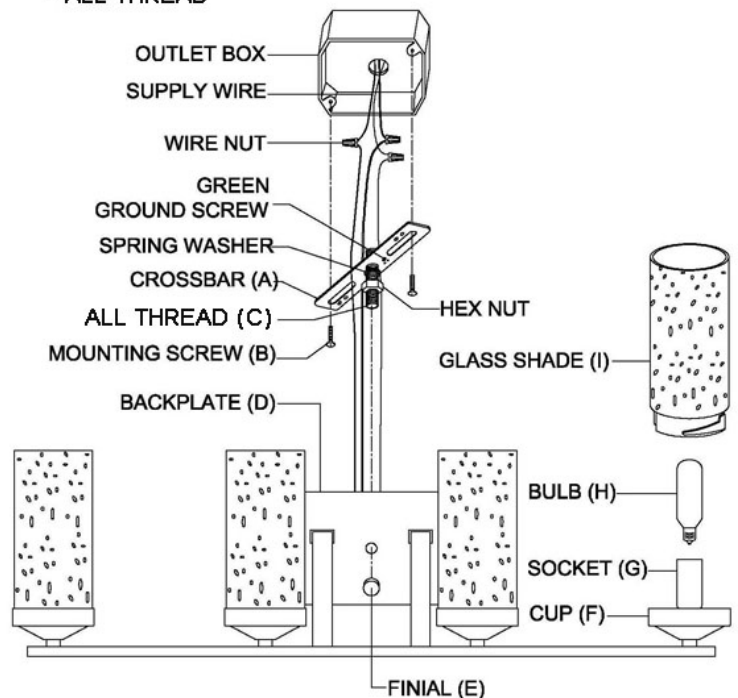
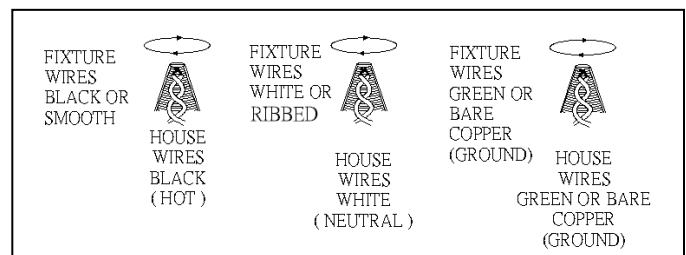


Fig.2



LA-3304E