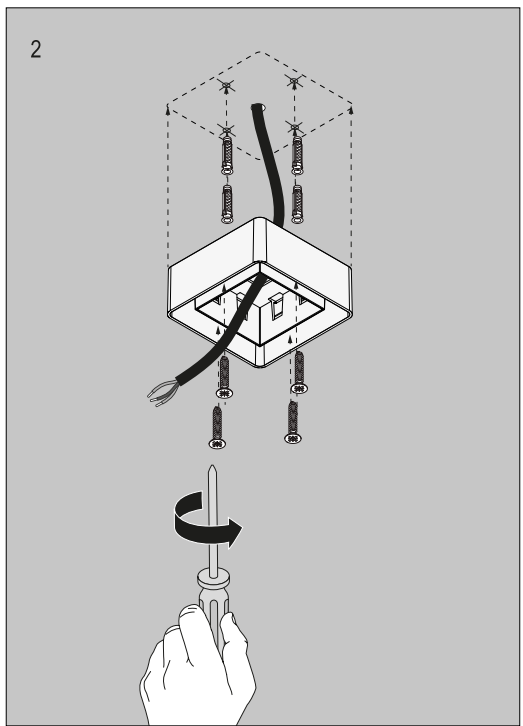
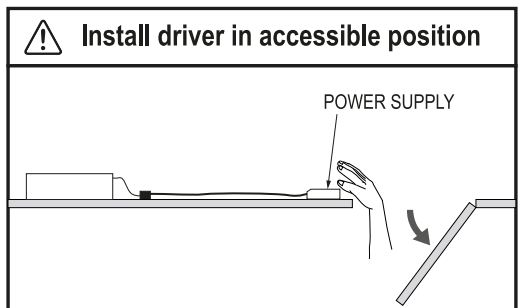
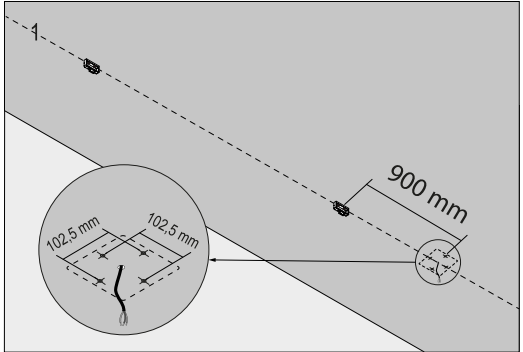
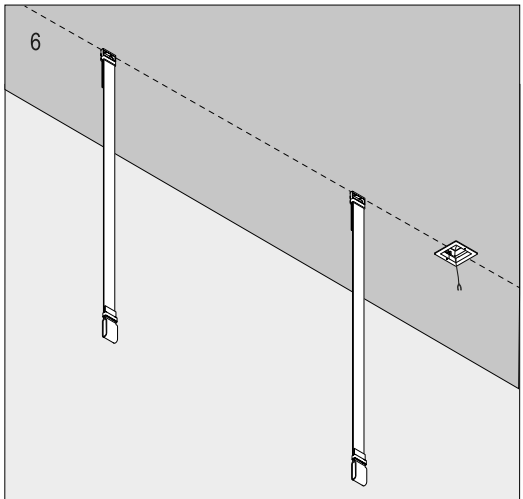
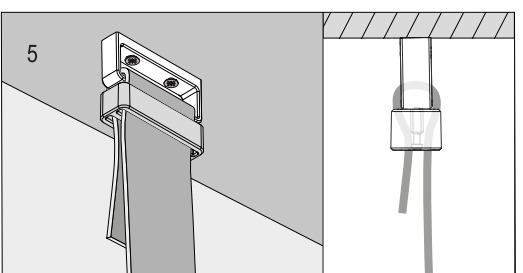
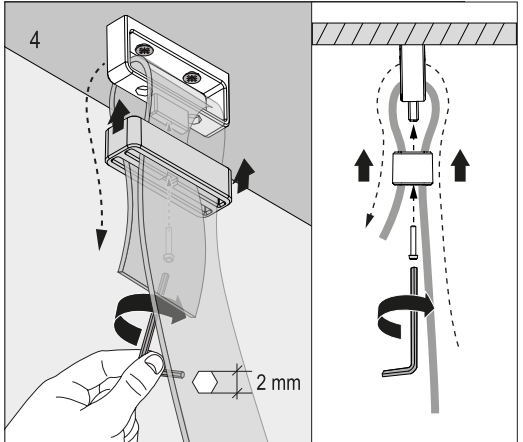
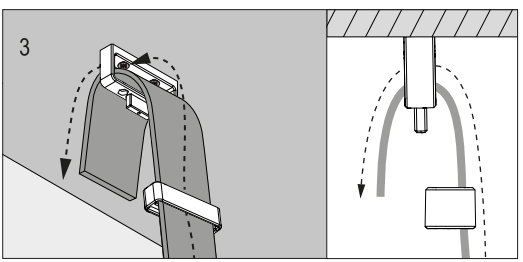
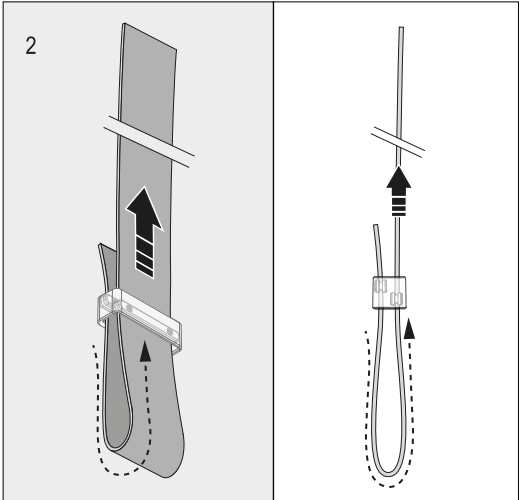
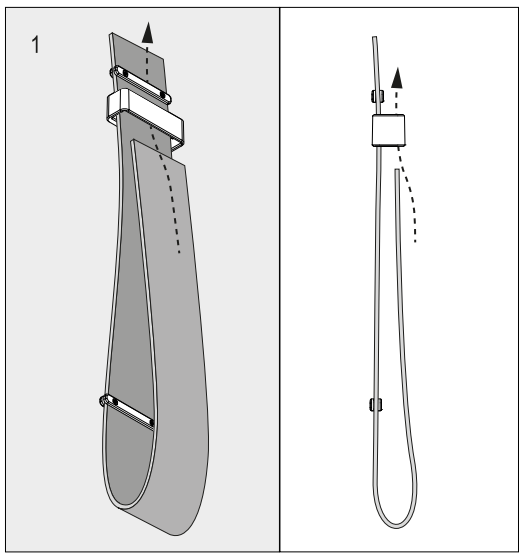


2.2 SURFACE

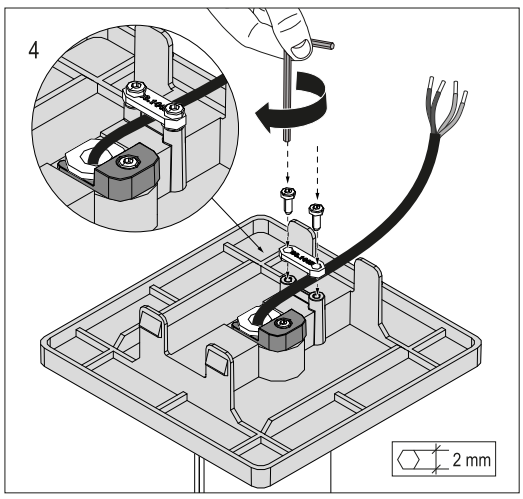
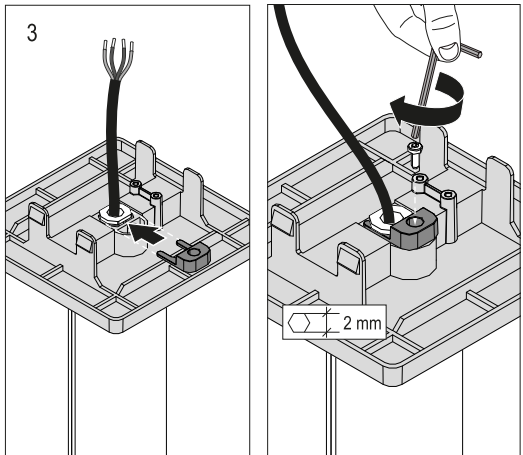
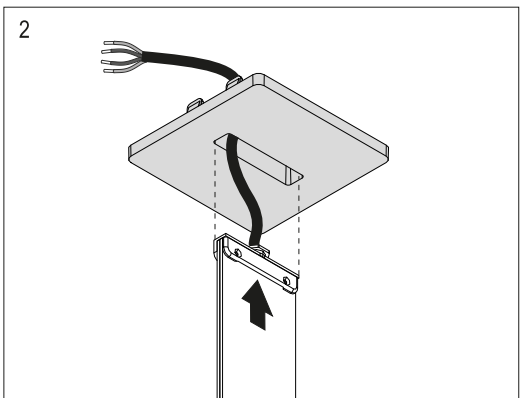
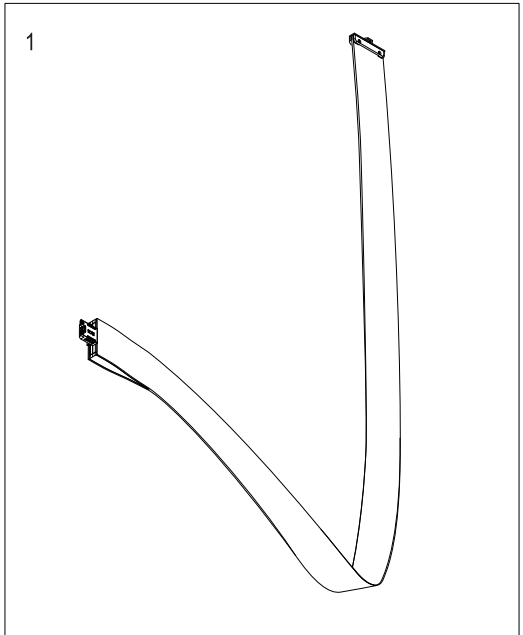


1. SUSPENSION STRAP INSTALLATION

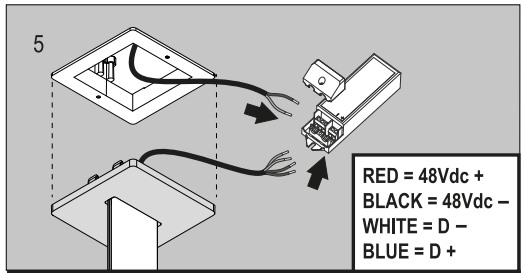


2. POWER LOOP INSTALLATION

2.1 INDIVIDUAL



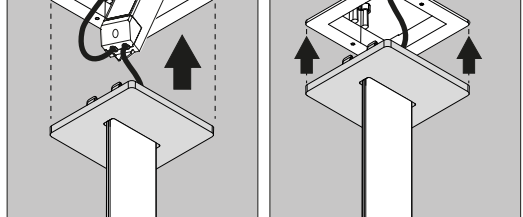
RECESSED



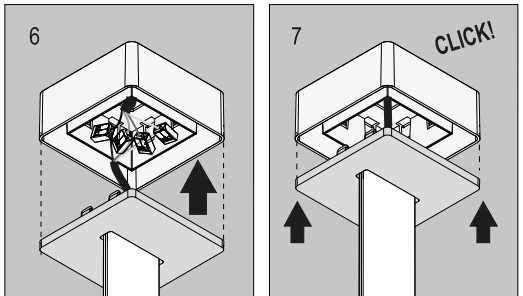
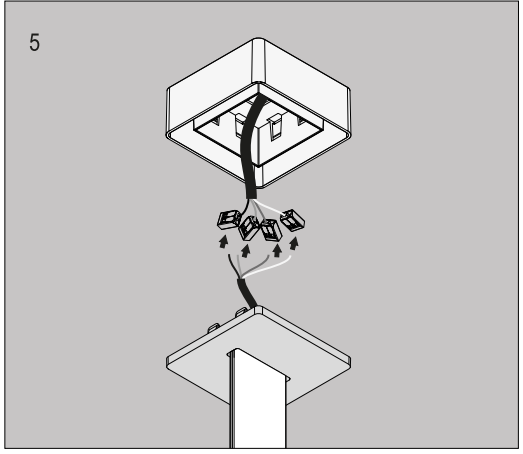
RED = 48Vdc +
BLACK = 48Vdc -
WHITE = D -
BLUE = D +

FOR CASAMBI CONNECT ONLY THE POWER CABLES

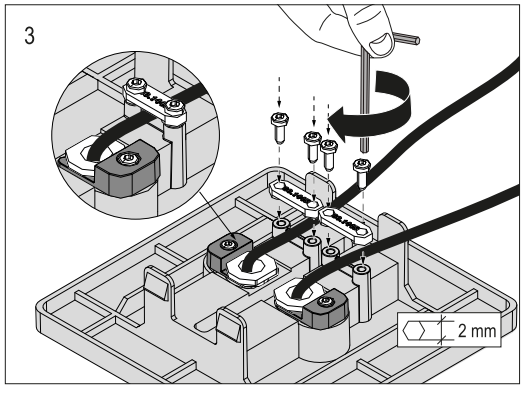
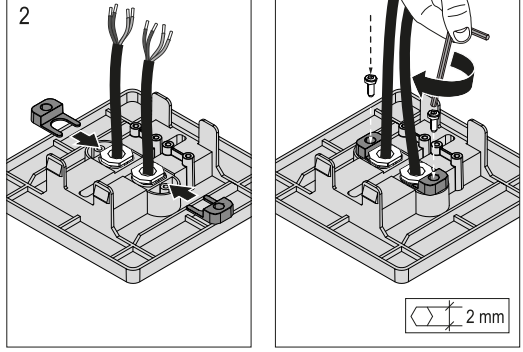
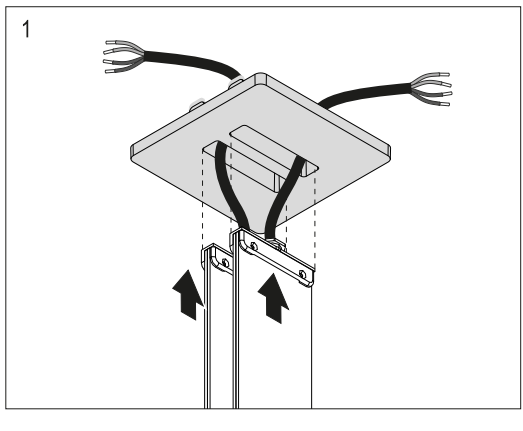
US VERSION
USE ONLY WITH REMOTE CLASS 2 ACCESSIBLE LISTED DRIVER



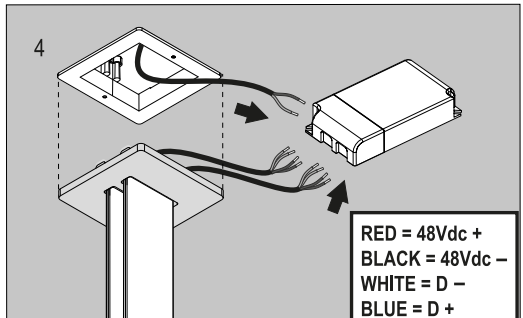
SURFACE



2.2 DOUBLE



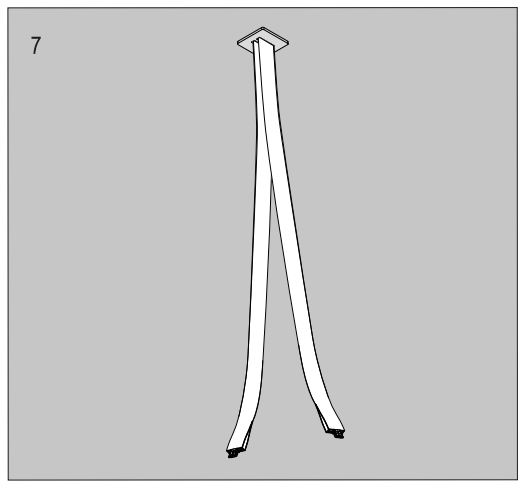
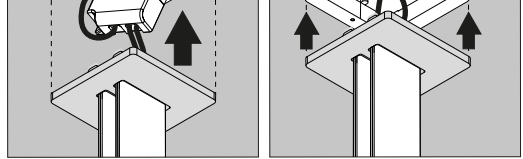
RECESSED



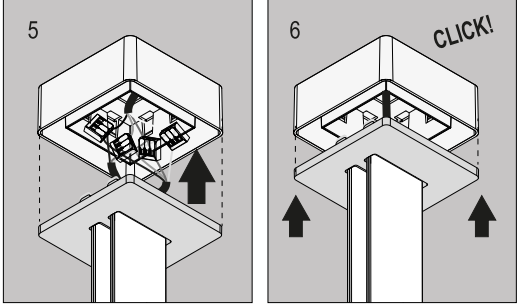
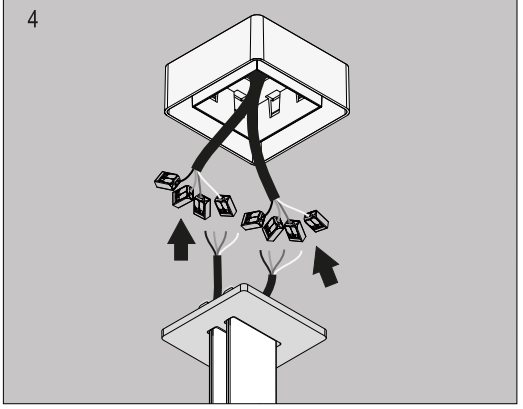
RED = 48Vdc +
BLACK = 48Vdc -
WHITE = D -
BLUE = D +

FOR CASAMBI CONNECT ONLY THE POWER CABLES

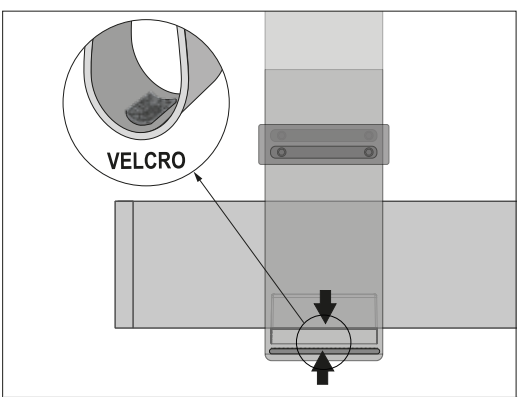
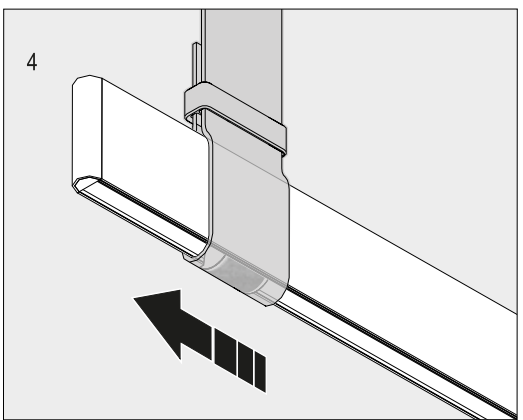
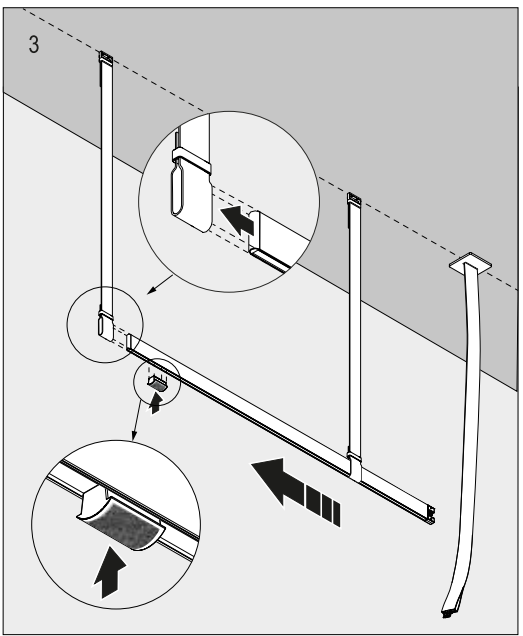
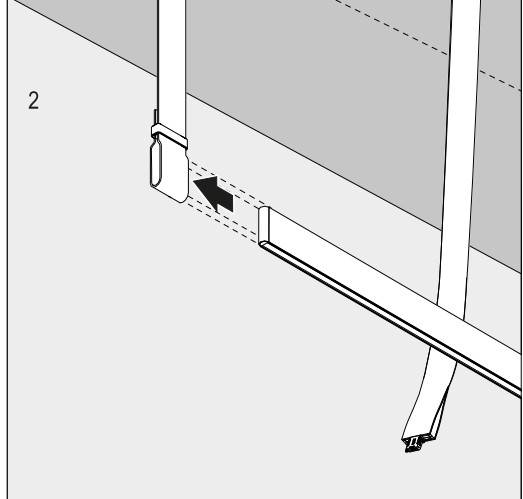
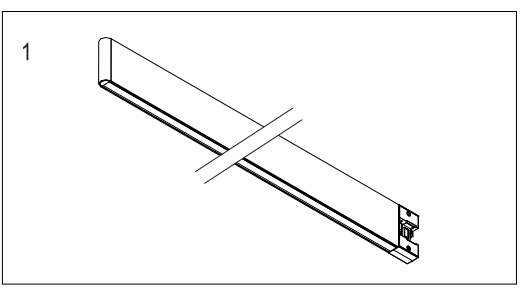
US VERSION
USE ONLY WITH REMOTE CLASS 2 ACCESSIBLE LISTED DRIVER



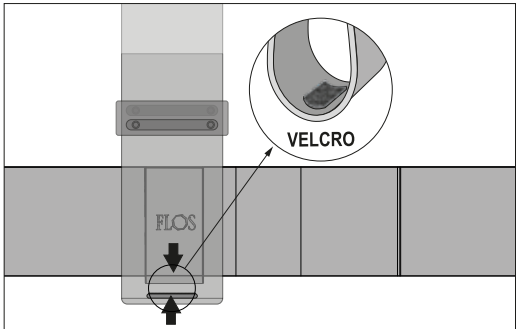
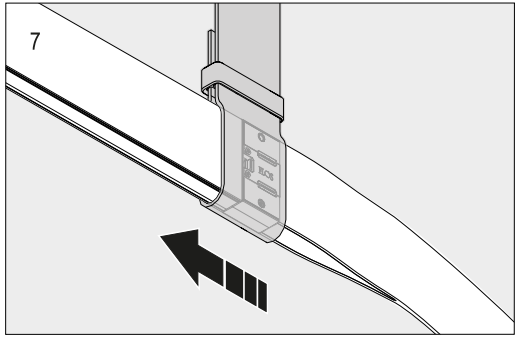
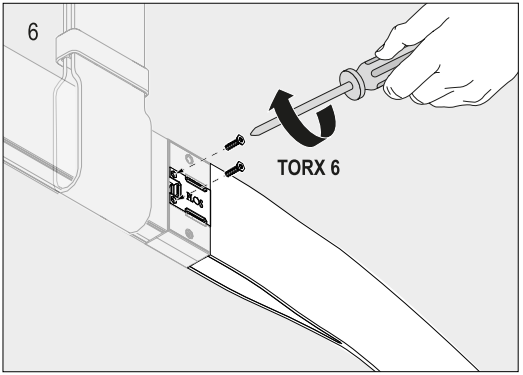
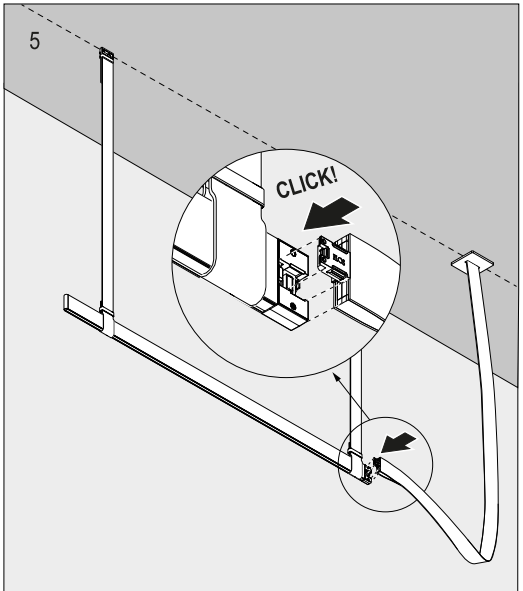
SURFACE



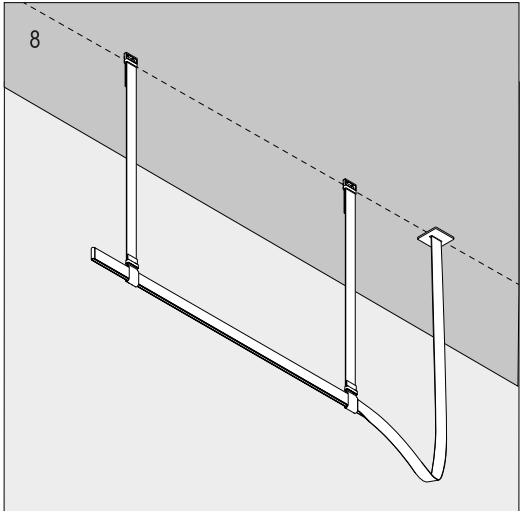
3. LIGHT MODULE INSTALLATION



USE THE VELCRO TO FIX THE LUMINAIRE



USE THE VELCRO TO FIX THE LUMINAIRE



WARNING: The dimming control for all versions will be 1% to 100%.

CASAMBI VERSION
- MAX. 15 meters between the luminaire and the control device always in an open space.
- To know more about all CASAMBI options visit www.casambi.com

WARNING!

Calculate the total power of system output by applying a safety coefficient of +15% without exceeding the driver's full potential.